

SEASON CHAIR by Piero Lissoni 2015



reddot award 2016
winner



Original upholstered chair that is ideal for the home and contract use.

Its hidden wheels and its remarkable comfort are surprising given its discrete appearance.

A cosy and chic design both for the home and for restaurants.

PIERO LISSONI



Piero Lissoni has studied Architecture at the Politecnico di Milano and on graduating in 1985, he begins collaborating as designer and Art Director with furniture manufacturers Boffi, Living Divani and Porro.

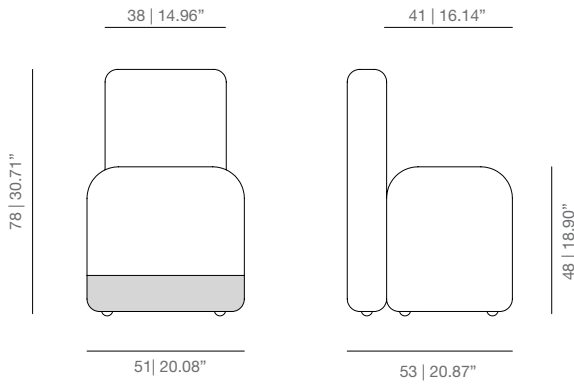
In 1986 together with Nicoletta Canesi, Piero Lissoni opens the studio Lissoni Associati; in 1996 they create Graph.x to develop graphic projects.

The work of the studio embraces architecture, graphic and industrial design projects, ranging from furniture, accessories, kitchens, bathroom and lighting fixtures to corporate identity, advertising, catalogues and packaging. Interior design projects include hotels, showrooms, trade stands, private houses, shops and yachts.

The studio currently employs over 70 people comprising architects, designers and graphic designers and creates solutions for clients such as Alessi, Artelano, Boffi, Cappellini, Cassina, Flos/Antares, Fritz Hansen, Glas Italia, Kartell, Knoll International, Lema, Living Divani, Lualdi, Matteograssi, Olivari, Poltrona Frau, Porro, Sabattini, Tecno and Thonet. Incursions into the fashion world involve store design and collaboration with Italian brands such as Benetton, Brosway, Gallo, Santandrea, Serapian, showrooms and corporate identity for the American designer Elie Tahari and events and beauty product packaging for Wella.

DIMENSIONS

SECH season chair

**TECHNICAL INFO**

Interior structure in solid wood and perforated top of microparticles low in formaldehyd

Expanded polyurethane foam in different densities.

Fabric or leather.

Upholstery protection (technical fabric in black).

Hidden casters

FINISHES**UPHOLSTERY**

Check upholstery samples.

CERTIFICATES

ANSI BIFMA X5.1:2011





PROJECTS

Joaquin Costa | Auditorio Teulada Moraria | Vivood Landscape Hotel | Pop Up Halbinsel Berlin | Auditorio de Castellón | Estudio Rebeca Plana | Nhow Milano | CMS Private Residence | ACV Restaurant