

# Symbol seating technical specifications

## Testing

Our chairs are designed to meet or exceed all EN performance requirements per **EN16139:2013**, which includes the following tests:

- Seat and back static load test
- Seat front edge static load test
- Vertical static load on back
- Foot rest and leg rest static load test
- Arm sideways static load test
- Arm downwards static load test
- Vertical upwards static load on arm rests
- Seat and back durability test
- Seat front edge durability test
- Leg forward static load test
- Leg sideways static load test
- Seat impact test
- Back impact test
- Arm impact test

## Structural testing certifications

### SYM12A

Symbol arm chair  
**BS EN16139:2013, level 1**  
 Static load 160kg

### SYM2LA

Symbol 2 seat sofa with left arm  
**BS EN16139:2013, level 1**  
 Static load 320kg

### SYM3NA

Symbol 3 seat sofa no arm  
**BS EN16139:2013, level 1**  
 Static load 320kg

### SYM90D

Symbol 90 degree curve seat  
**BS EN16139:2013, level 1**  
 Static load 320kg

## Flammability

The cold cure foam material has been tested to meet the following standards:

British standard  
**5852:2006 Part 2**

California Technical Bulletin  
**117-2013**

Italian standards  
**UNI 9175-CLASS 1.IM**

The flammability standard of the covering fabric is dependent on the choice made by the customer, details of the flammability rating of specific fabrics can be found on supplier's websites listed below.

- [www.kvadrat.dk](http://www.kvadrat.dk)
- [www.camirafabrics.com](http://www.camirafabrics.com)
- [www.butefabrics.com](http://www.butefabrics.com)
- [www.panaz.com](http://www.panaz.com)
- [www.maharam.com](http://www.maharam.com)
- [www.vescom.com](http://www.vescom.com)
- [www.ultrafabricsllc.com](http://www.ultrafabricsllc.com)
- [www.crestleather.com](http://www.crestleather.com)

## Servicing



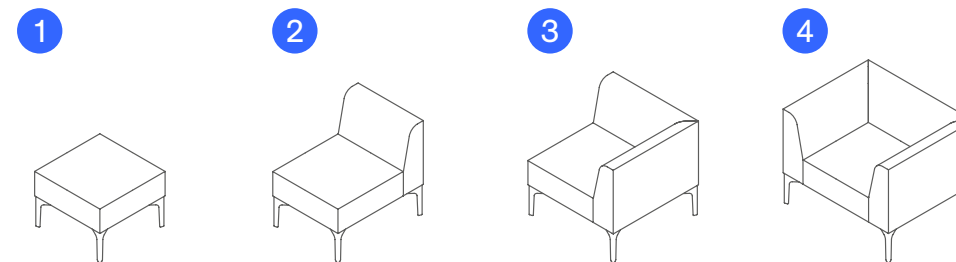
If a component is damaged and needs replacing then please email our team with an image of the damaged part and reference your order number, we will be happy to facilitate any replacements.

## Warranty



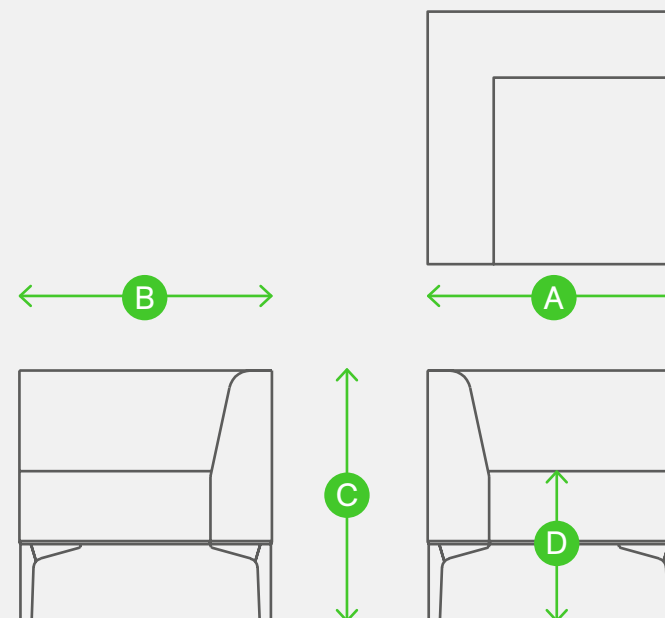
naughtone offers a **5-year** warranty across all products. Details on the terms and conditions of naughtones warranty can be found [here](#)

# Symbol single seaters technical specifications

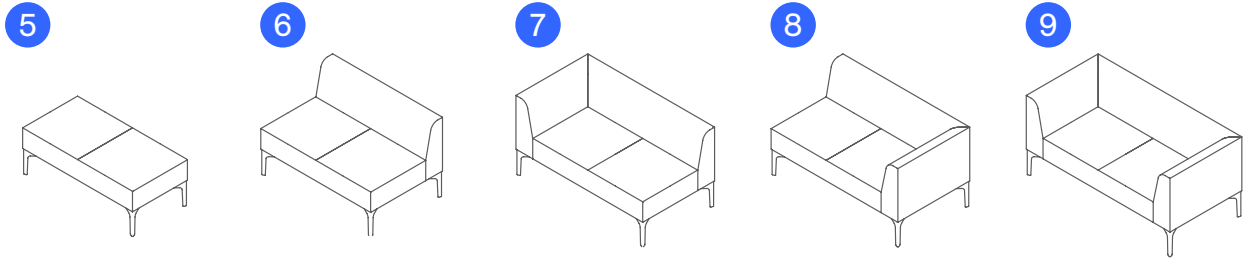


Product code and description	A Overall Width	B Overall Depth	C Overall Height	D Seat Height	E Distance between legs (front)	F Distance between legs (side)	G Weight
<b>1 SYM1ST</b> Symbol single stool	510 mm 20 in	510 mm 20 in	410 mm 16 in	410 mm 16 in	440 mm 17.5 in	440 mm 17.5 in	21.02 kg 46.3 lbs
<b>2 SYM1NA</b> Symbol no arms	510 mm 20 in	690 mm 27 in	685mm 27in	410 mm 16 in	440 mm 17.5 in	620 mm 24.5 in	34.5 kg 76.1 lbs
<b>3 SYM11A</b> Symbol corner chair 1 arm	690 mm 27 in	690 mm 27 in	685mm 27in	410 mm 16 in	620 mm 24.5 in	620 mm 24.5 in	37.4 kg 82.5 lbs
<b>4 SYM12A</b> Symbol chair 2 arms	870 mm 34.5 in	690 mm 27 in	685mm 27in	410 mm 16 in	800 mm 31.5 in	620 mm 24.5 in	30.9 kg 68.1 lbs

## Measuring Guide

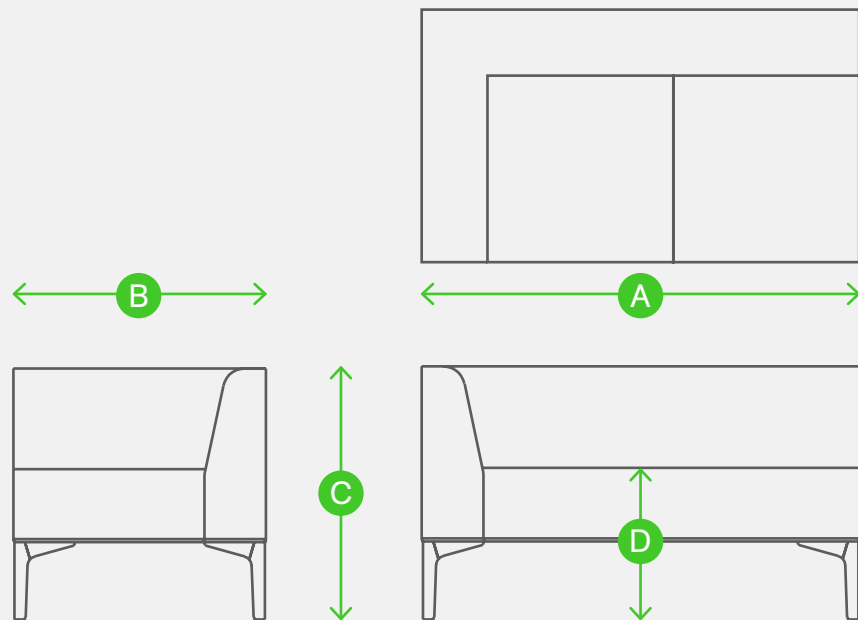


## Symbol two seaters technical specifications

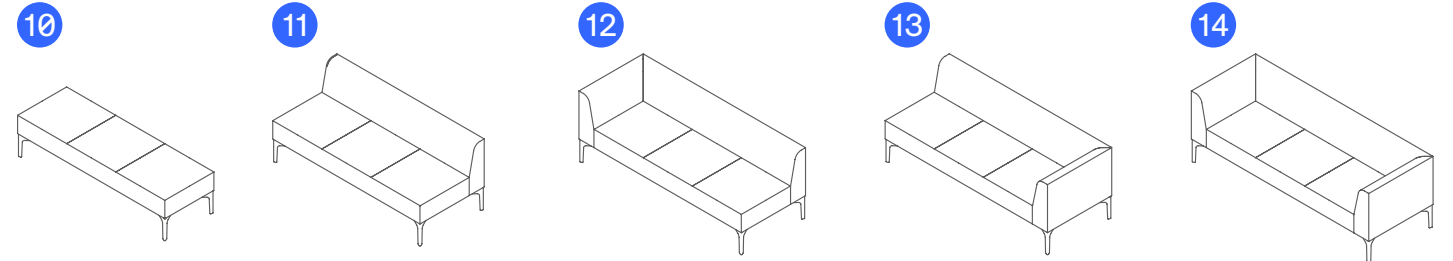


Product code and description	A Overall Width	B Overall Depth	C Overall Height	D Seat Height	E Distance between legs (front)	F Distance between legs (side)	G Weight
<b>5</b> <b>SYM2BEN</b> Symbol 2 seat bench	1020 mm 40 mm	510 mm 20 mm	410 mm 16 mm	410 mm 16 mm	950 mm 37.5 in	620 mm 24.5 in	26.5 kg 58.4 lbs
<b>6</b> <b>SYM2NA</b> Symbol 2 seat no arms	1020 mm 40 mm	690 mm 27 mm	685 mm 27 mm	410 mm 16 mm	950 mm 37.5 in	620 mm 24.5 in	33.8 kg 74.5 lbs
<b>7</b> <b>SYM2RA</b> Symbol 2 seat right arm	1200 mm 47 mm	690 mm 27 mm	685 mm 27 mm	410 mm 16 mm	1130 mm 44.5 in	620 mm 24.5 in	36.9 kg 81.4 lbs
<b>8</b> <b>SYM2LA</b> Symbol 2 seat left arm	1200 mm 47 mm	690 mm 27 mm	685 mm 27 mm	410 mm 16 mm	1130 mm 44.5 in	620 mm 24.5 in	36.9 kg 81.4 lbs
<b>9</b> <b>SYM22A</b> Symbol 2 seat 2 arms	1380 mm 54.5 mm	690 mm 27 mm	685 mm 27 mm	410 mm 16 mm	1310 mm 51.5 in	620 mm 24.5 in	43 kg 94.8 lbs

### Measuring Guide

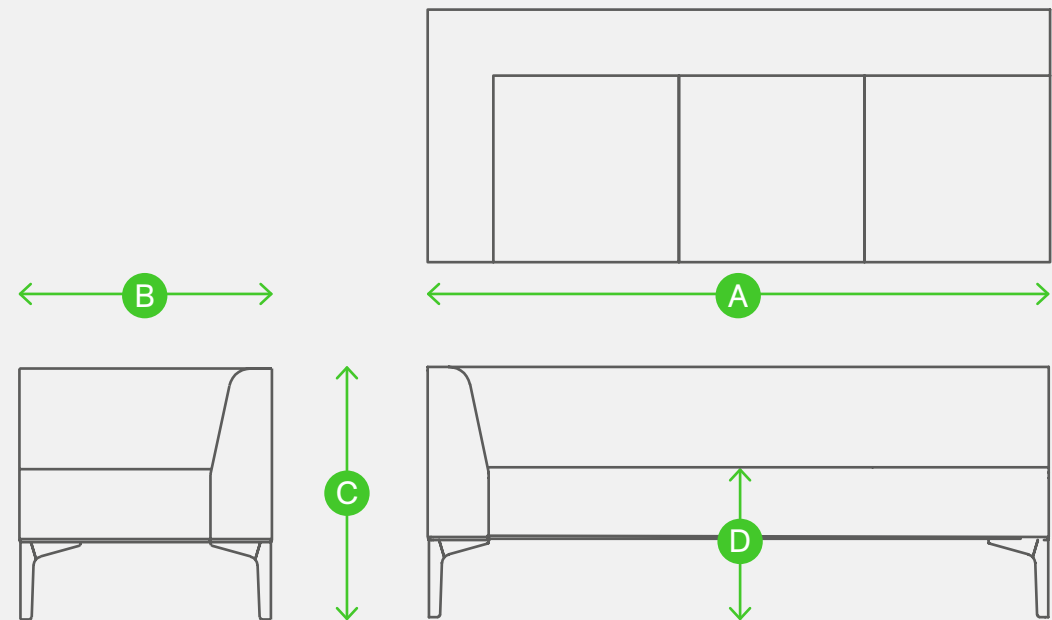


## Symbol three seaters technical specifications



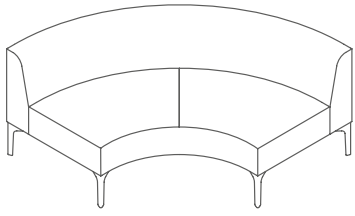
Product code and description	A Overall Width	B Overall Depth	C Overall Height	D Seat Height	E Distance between legs (front)	F Distance between legs (side)	G Weight
<b>10</b> <b>SYM3BEN</b> Symbol 3 seat bench	1530 mm 60 mm	510 mm 20 mm	410 mm 16 mm	410 mm 16 mm	1445 mm 57 in	620 mm 24.5 in	29.9 kg 65.9 lbs
<b>11</b> <b>SYM3NA</b> Hatch 3 seat no arms	1530 mm 60 mm	690 mm 27 mm	685 mm 27 mm	410 mm 16 mm	1445 mm 57 in	620 mm 24.5 in	40 kg 88.1 lbs
<b>12</b> <b>SYM3RA</b> Symbol 3 seat right arm	1710 mm 67.5 mm	690 mm 27 mm	685 mm 27 mm	410 mm 16 mm	1645 mm 65 in	620 mm 24.5 in	41.6 kg 91.7 lbs
<b>13</b> <b>SYM3LA</b> Symbol 3 seat left arm	1710 mm 67.5 mm	690 mm 27 mm	685 mm 27 mm	410 mm 16 mm	1645 mm 65 in	620 mm 24.5 in	41.6 kg 91.7 lbs
<b>14</b> <b>SYM32A</b> Symbol 3 seat 2 arms	1890 mm 74.5 mm	690 mm 27 mm	685 mm 27 mm	410 mm 16 mm	1820 mm 72 in	620 mm 24.5 in	52.7 kg 116.2 lbs

### Measuring Guide

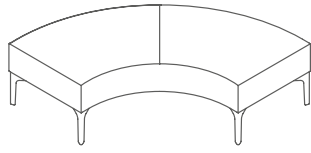


# Symbol 90° curved seating technical specifications

15



16



Product code and description	A Overall Width	B Overall Depth	C Overall Height	D Seat Height	E Distance between legs (front)	F Distance between legs (side)	G Weight
<b>15</b> <b>SYM90D</b> Symbol 90 degree curve seat	1824 mm 72 in	866 mm 34 in	685 mm 27 in	410 mm 16 in			59 kg 130.1 lbs

<b>16</b> <b>SYM90DBEN</b> Symbol 90 degree curve bench	1570 mm 62 in	686 mm 27 in	410 mm 16 in	410 mm 16 in			
--	------------------	-----------------	-----------------	-----------------	--	--	--

## Measuring Guide

