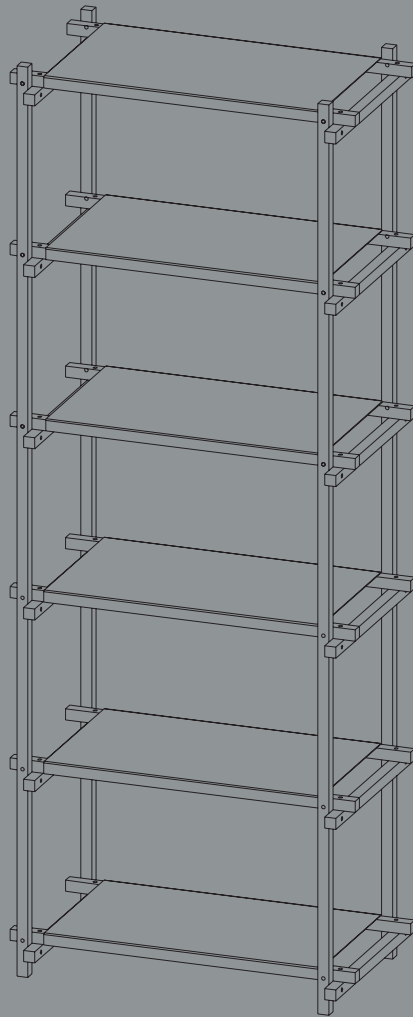


WOODY



By *HAY*

HAY

INTRODUCTION

Woody was originally designed for inventory use, but after much demand this ladder-inspired shelving system was soon put into commercial production. Woody's beauty lies in its open simplicity and industrial expression that leaves construction parts and joint details exposed. Woody is available in several different sizes and can be used as a free-standing shelving system, against a wall or as a room divider.

CARE AND MAINTENANCE

CAUTION

With a little care you can prolong the life of your furniture. Follow the instructions for the materials of your specific product to make sure that it stays in the best shape for as long as possible.

The information below is only intended as a general guideline. For more information on how to remove specific stains, please enquire where you bought the furniture.

- Always remove stains quickly before they can do any permanent damage to the furniture.

- Avoid placing the furniture in direct sunlight or near a strong heat source to reduce changes. As wood is a natural material, it will change in colour and will patinate over time.

- When you move your furniture, make sure you lift it rather than pulling or pushing it to avoid damaging the floor, legs and mountings.

- Be careful not to scratch or damage the surface with sharp objects.

CARE AND MAINTENANCE

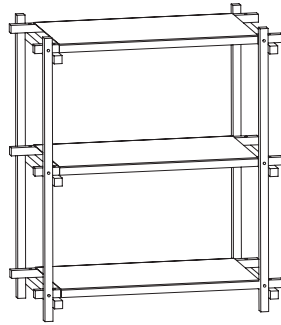
UNTREATED WOOD

- Wipe with a clean cloth wrung in water or in a solution of water and a neutral detergent or soap flakes. Remove soap residue immediately using a clean, dry cloth.
- To remove stains, clean and scrub using a thick solution of soap flakes that should not stay on the wood for more than 2 minutes. Then remove the remaining soap residue using a damp cloth.
- If the grain of the wood rises after cleaning, gently sand down the wood using fine-grit sandpaper (No. 220), always going with the grain.
- If the surface is scratched or appears matt, use a care product especially suited to soaped wood.

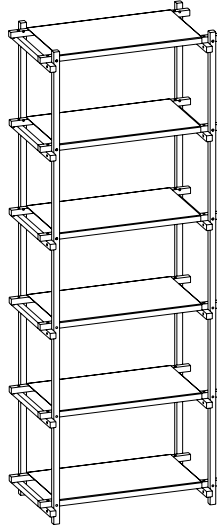
POWDER COATED STEEL

- Wipe with a clean cloth wrung in water or in a solution of water and a neutral detergent. Remove soap residue immediately using a clean, dry cloth.
- Avoid using scouring cream or scouring pads, as they may scratch the surface.

CONTENTS

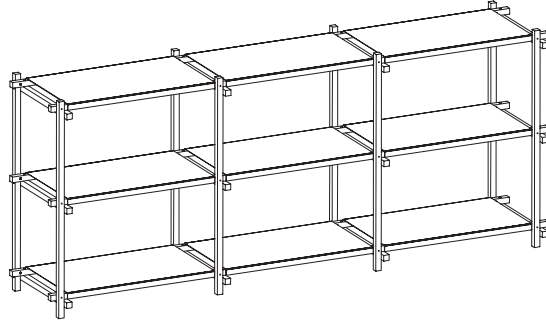


WOODY - COLOUMN LOW
PAGE 8-15

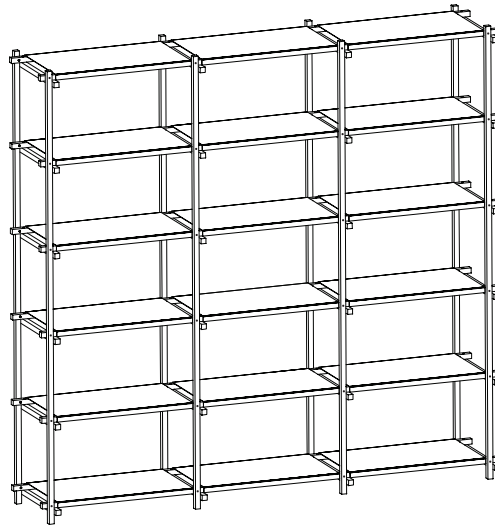


WOODY - COLOUMN HIGH
PAGE 16-23

CONTENTS



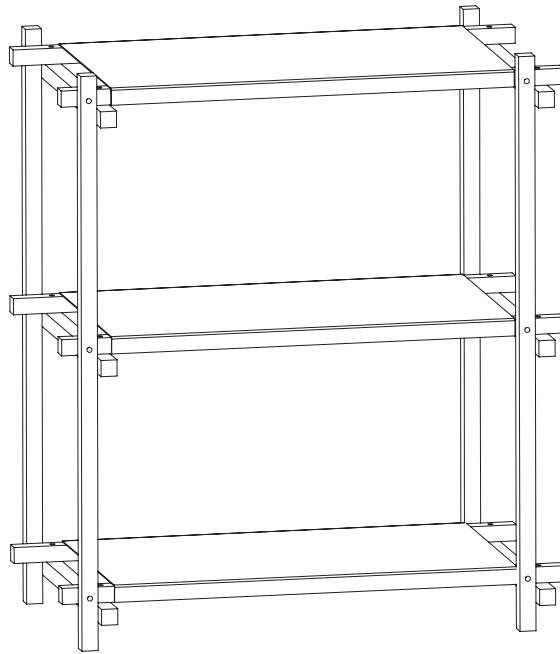
WOODY - LOW
PAGE 24-31



WOODY - HIGH
PAGE 32-38

INSTRUCTION MANUAL

Woody
Column low



PARTS



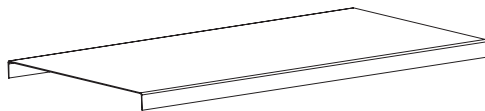
A x 4



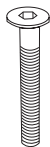
B x 6



C x 6



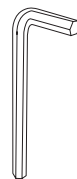
D x 3



E x 36



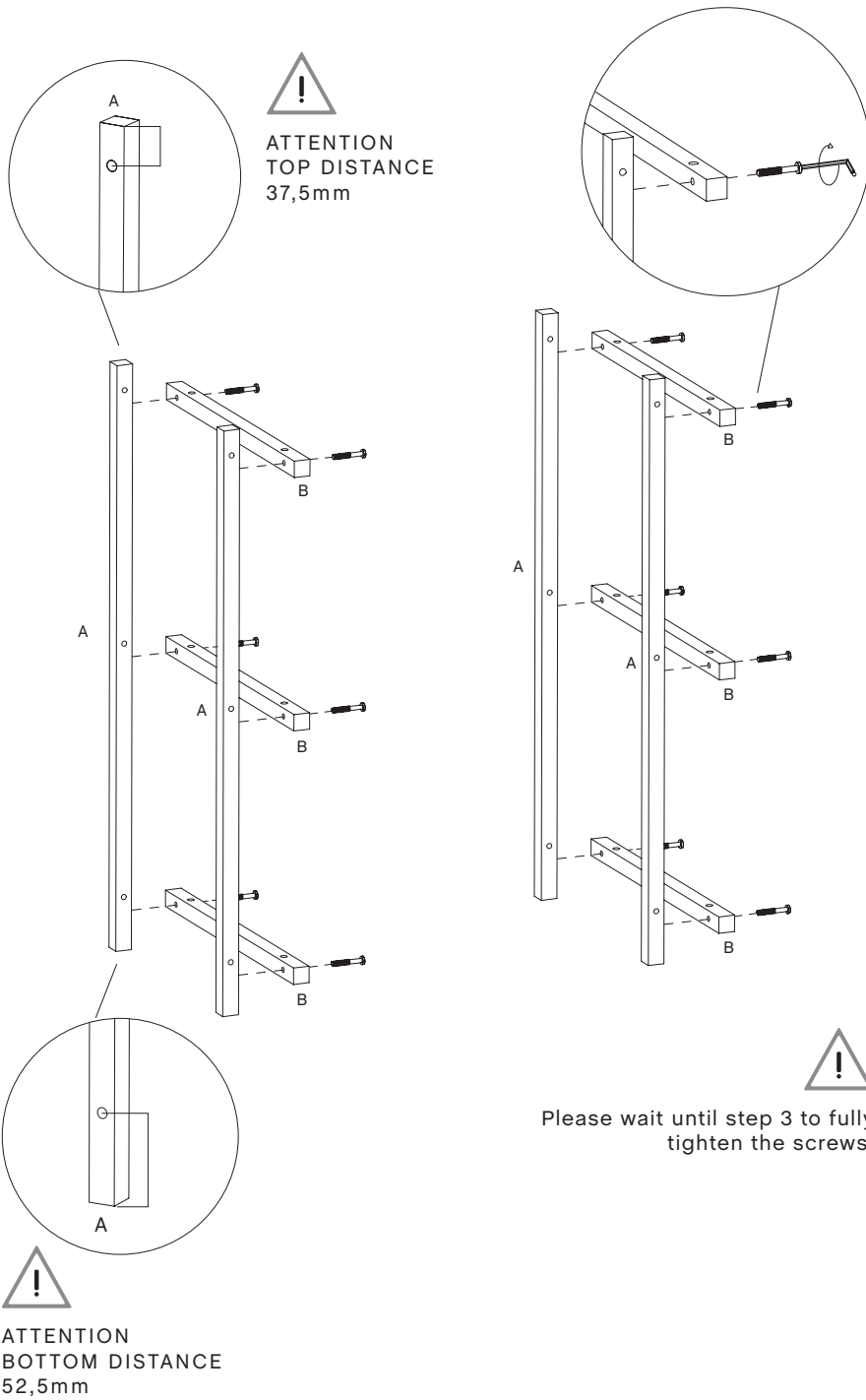
F x 36



G x 1

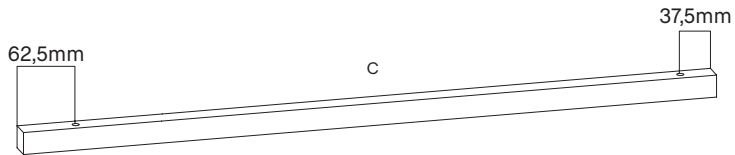
1.

Place the 6 X B parts on the A parts and tighten the screw gently.

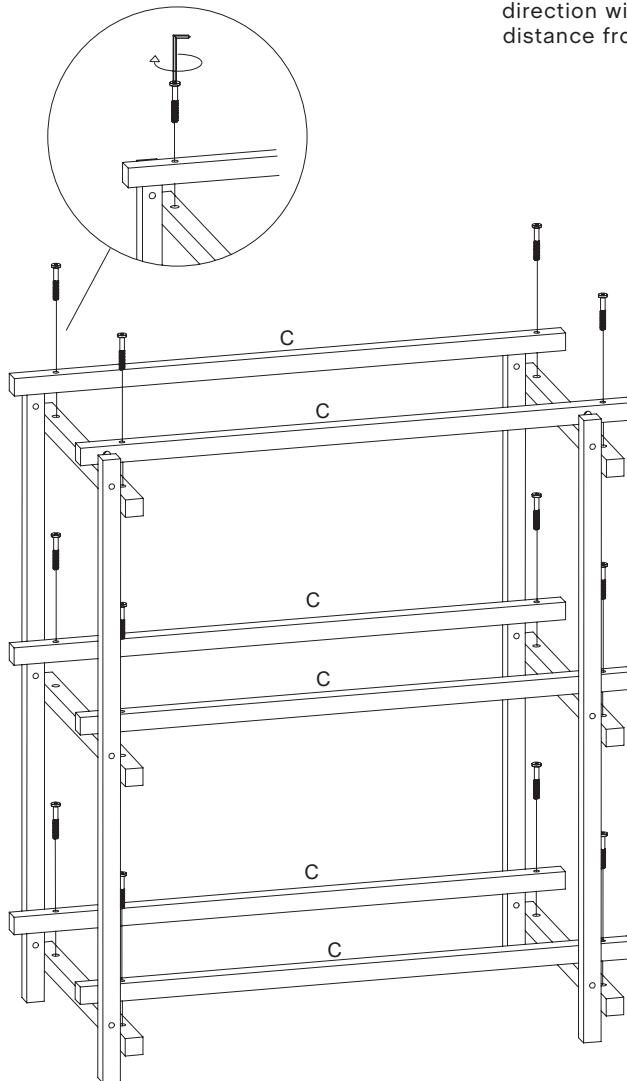


2.

Place the 6 X C parts on top of the B parts and gently tighten the screws.

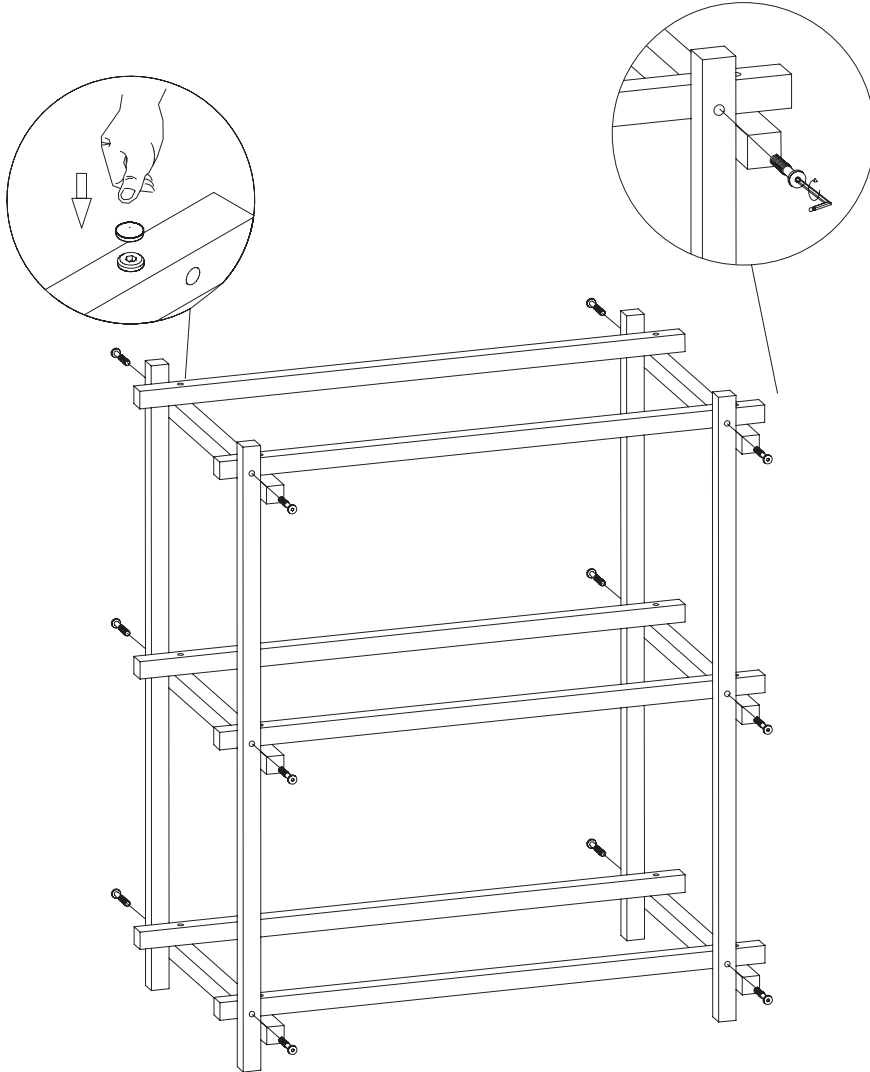


Make sure all the C parts are facing in the same direction with the shortest distance from hole to end.



3.

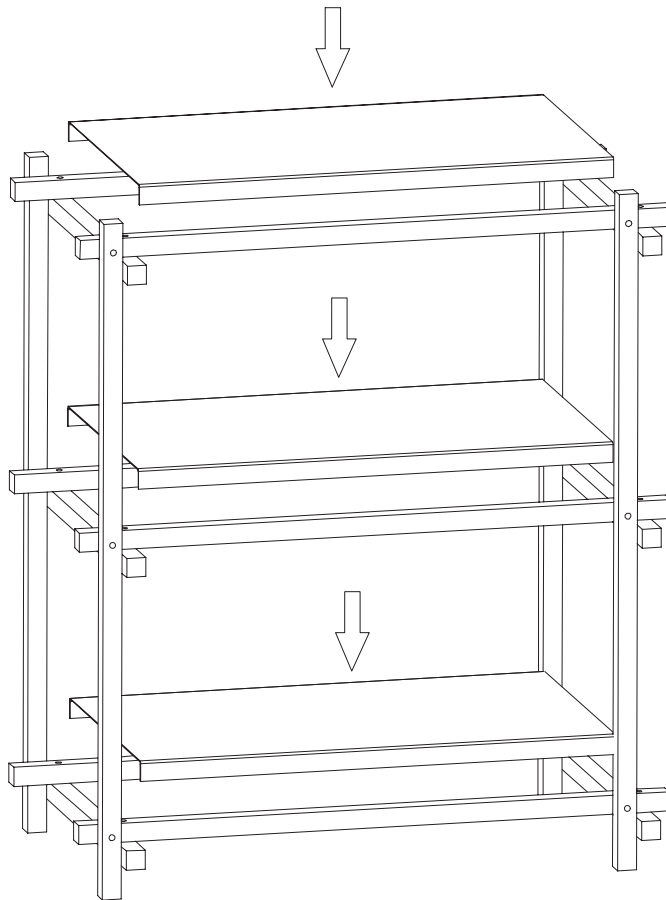
Place the screws to connect the A part and C part. Tighten the screws gently. When all screws are placed and fully tightened, place the F on the screw heads.

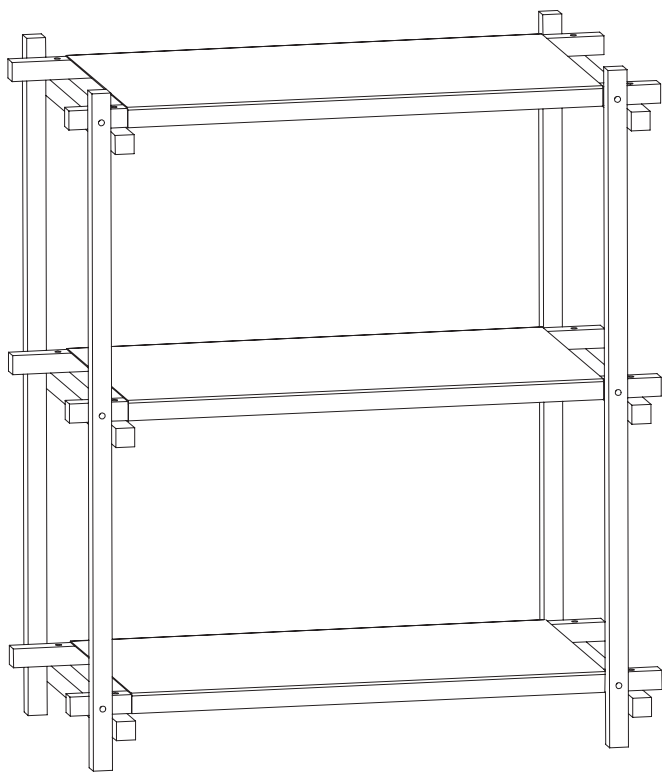


Please ensure all screws are fully tightened before placing the F parts.

4.

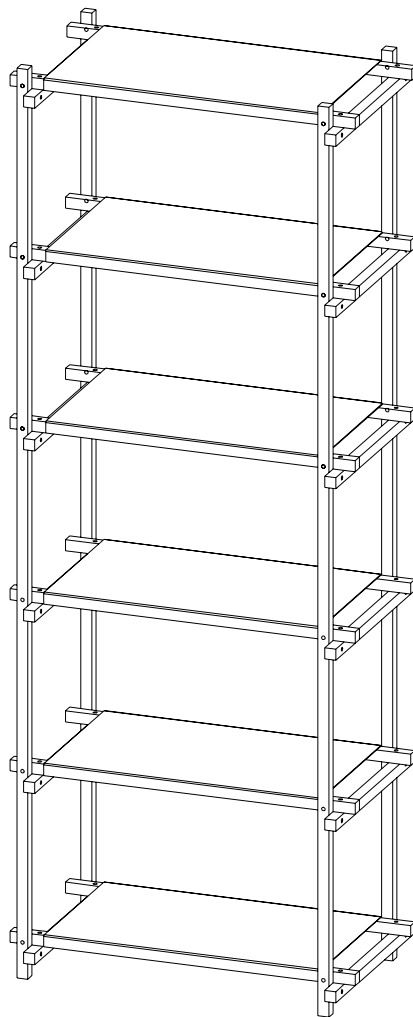
Place the D parts on top of the C parts.





INSTRUCTION MANUAL

Woody
Column High



PARTS



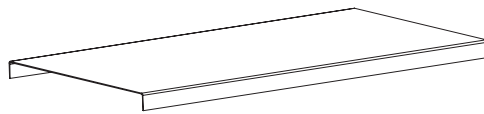
A x 4



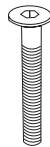
B x 12



C x 12



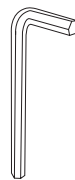
D x 6



E x 72



F x 72



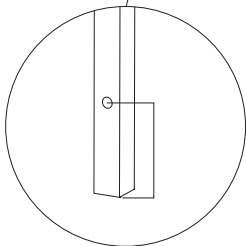
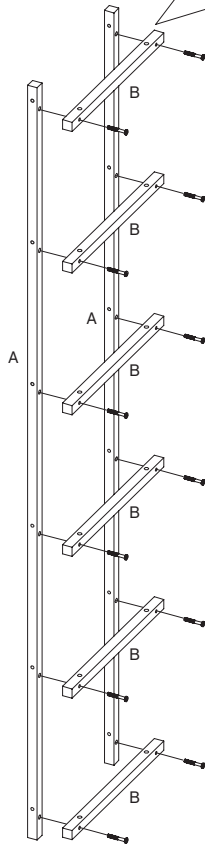
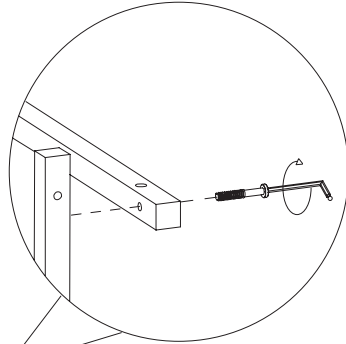
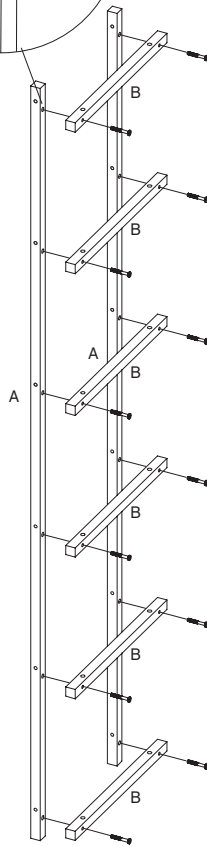
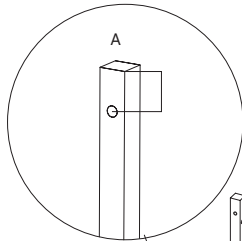
G x 1

1.

Place the 12 x B parts on the A parts and tighten the screws gently.



ATTENTION
TOP DISTANCE
37,5mm



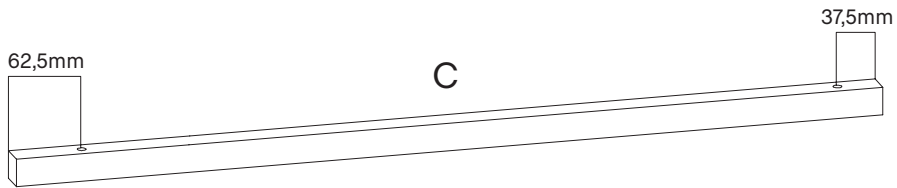
ATTENTION
BOTTOM DISTANCE
52,5mm



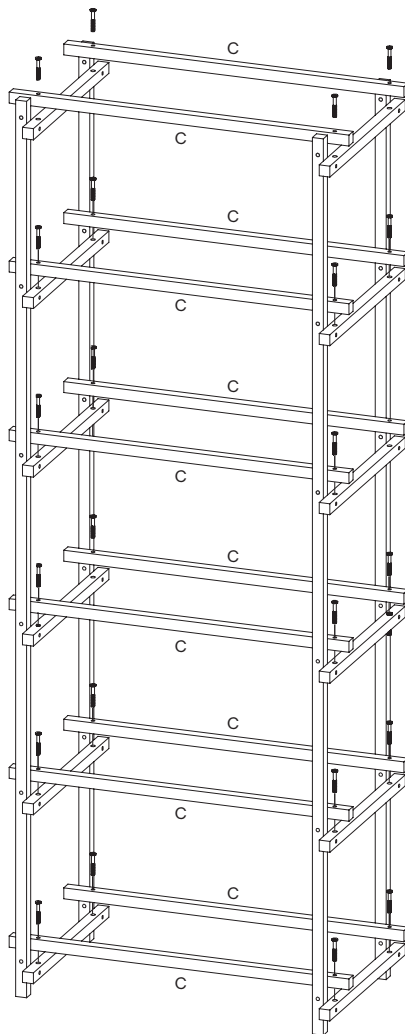
Please wait until step 3 to
fully tighten the screws.

2.

Place the 12 x C parts on top of the B parts and gently tighten the screw. 2 persons are recommended to complete this step.

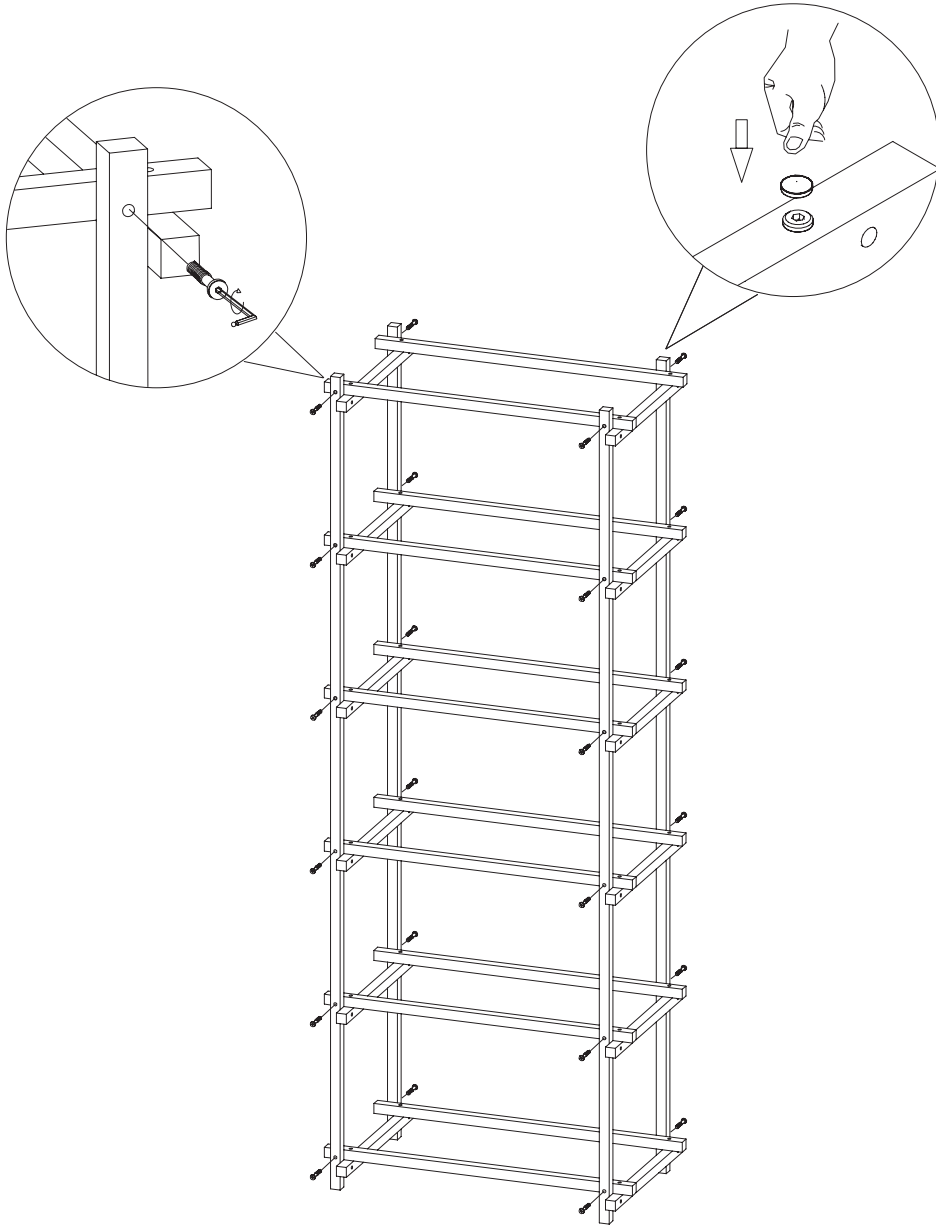


Make sure all the C parts are facing in the same direction with the shortest distance from hole to end.



3.

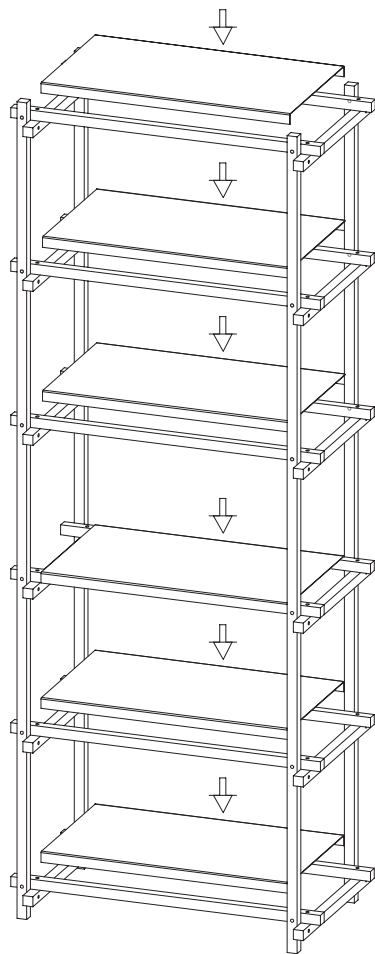
Insert the screws to connect the A part and C part. Tighten the screws gently.
When all screws are placed and fully tightened, place the F parts on the screw heads.

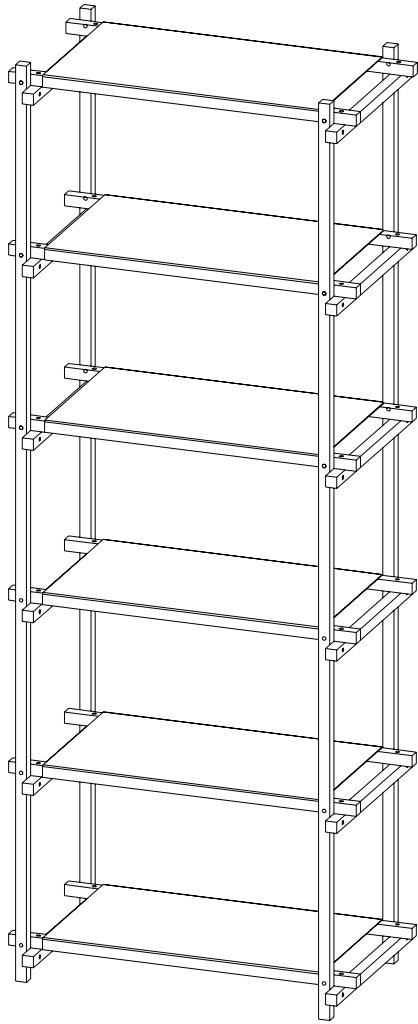


Please ensure all screws are fully tightened before placing the F parts.

4.

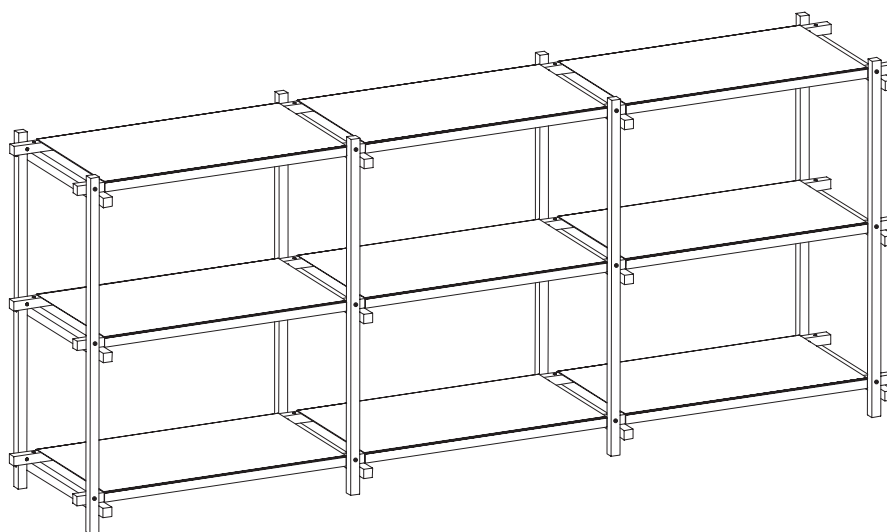
Place the D parts on top of the C parts.





INSTRUCTION MANUAL

Woody
Low



PARTS



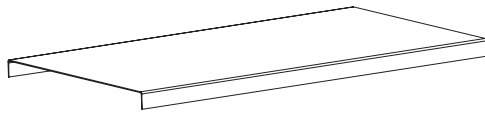
A x 8



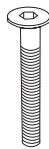
B x 12



C x 6



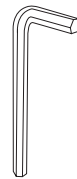
D x 9



E x 72



F x 72



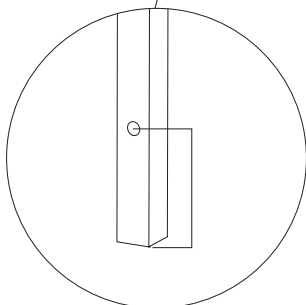
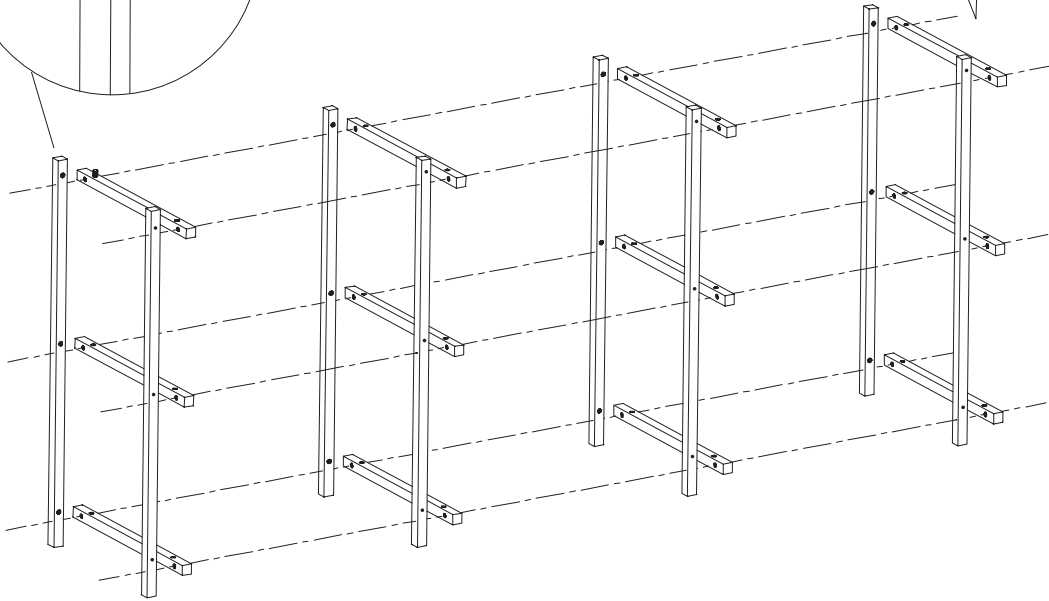
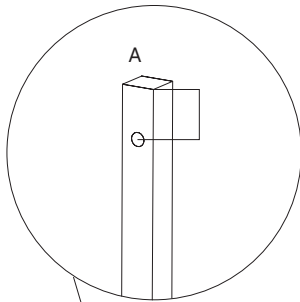
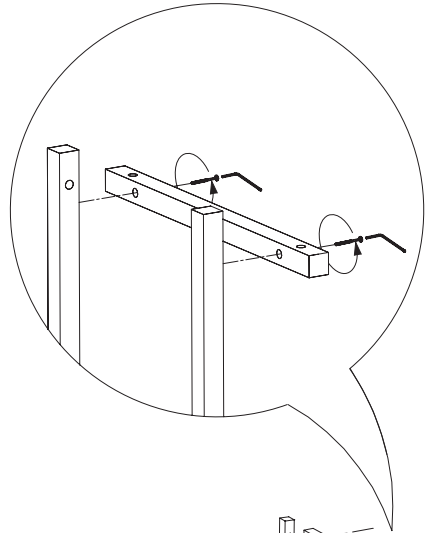
G x 1

1.

Place the 12 x B parts on the A parts and tighten the screws gently.



ATTENTION
TOP DISTANCE
37,5mm



Please wait until step 3 to
fully tighten the screws.



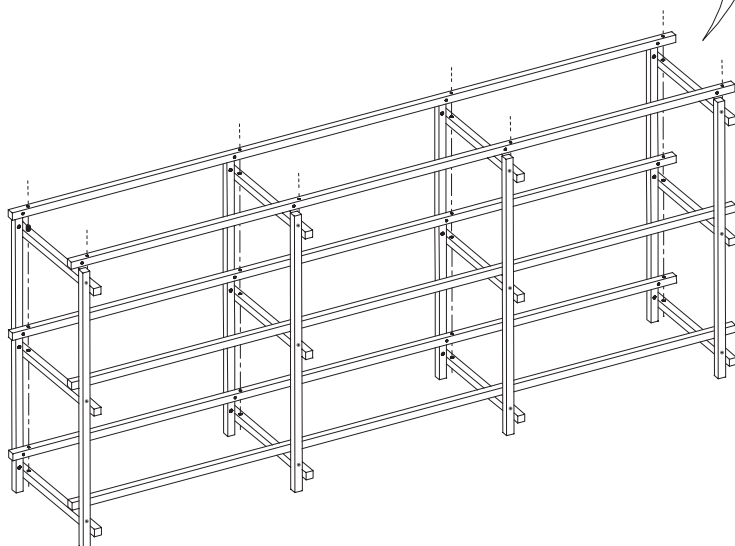
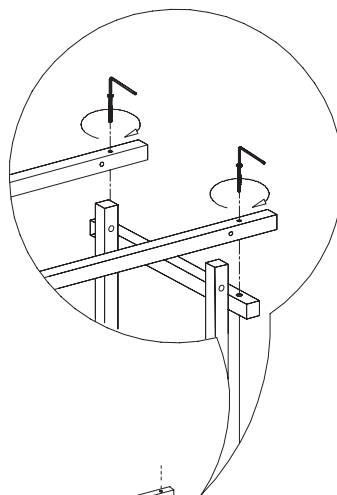
ATTENTION
BOTTOM DISTANCE
52,5mm

2.

Place the 6 x C parts and gently tighten the screws.
2 persons are recommended to complete this step.

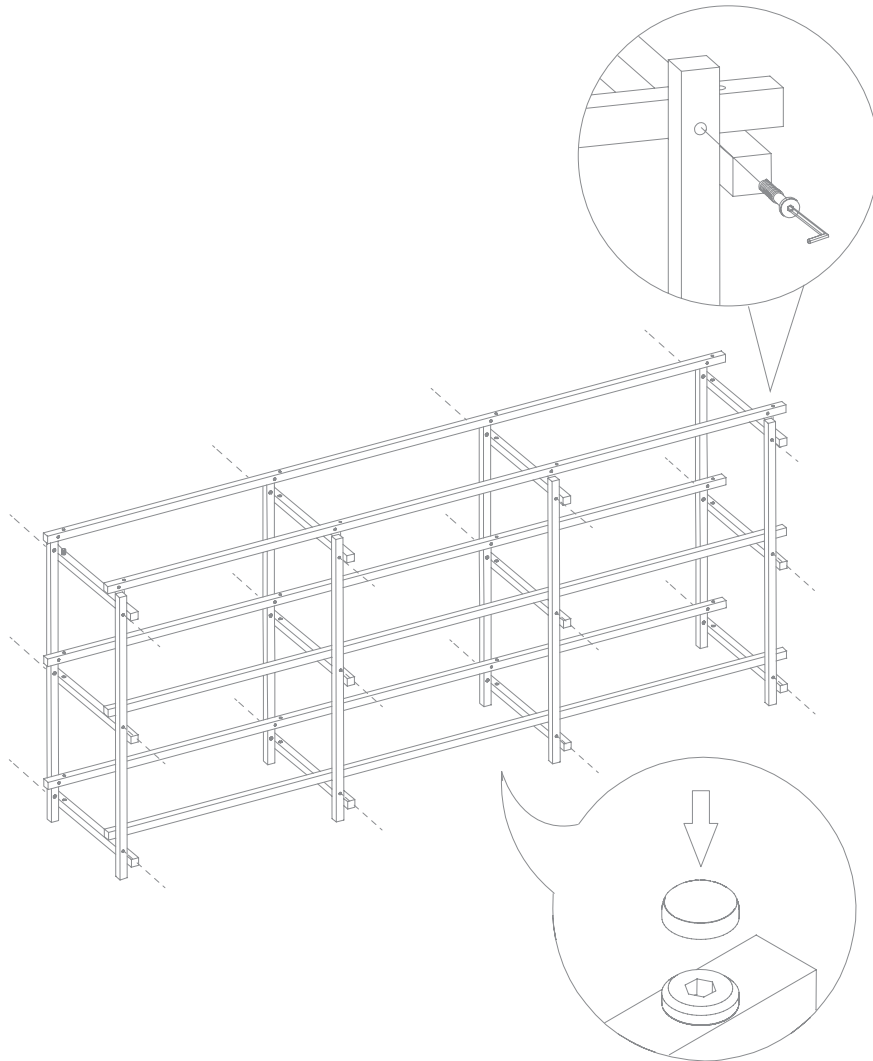


Make sure all the C parts are facing in the same direction
with the shortest distance from hole to end.



3.

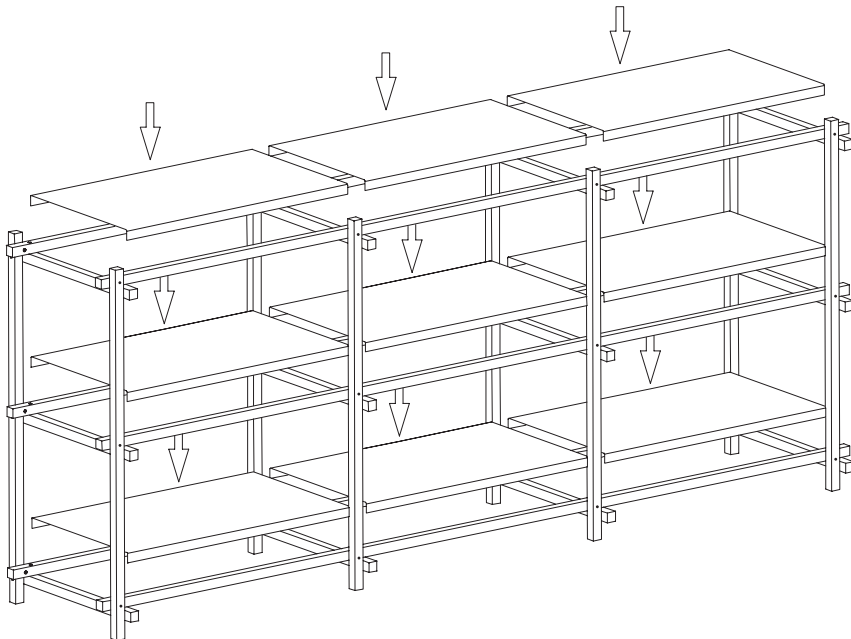
Place the screw to connect the A part and C part. Tighten the screw gently.
When all screws are placed and completely tightened, place the F parts on the screw heads.

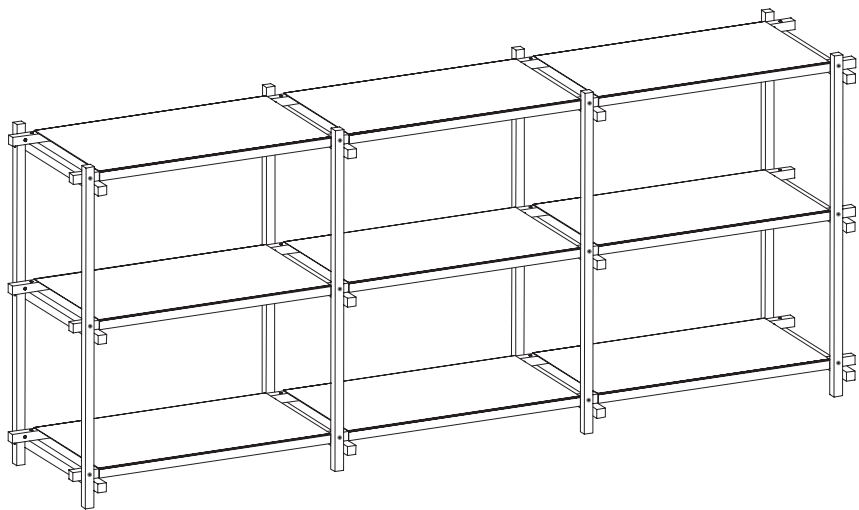


Please ensure all screws are fully tightened
before placing the F parts.

4.

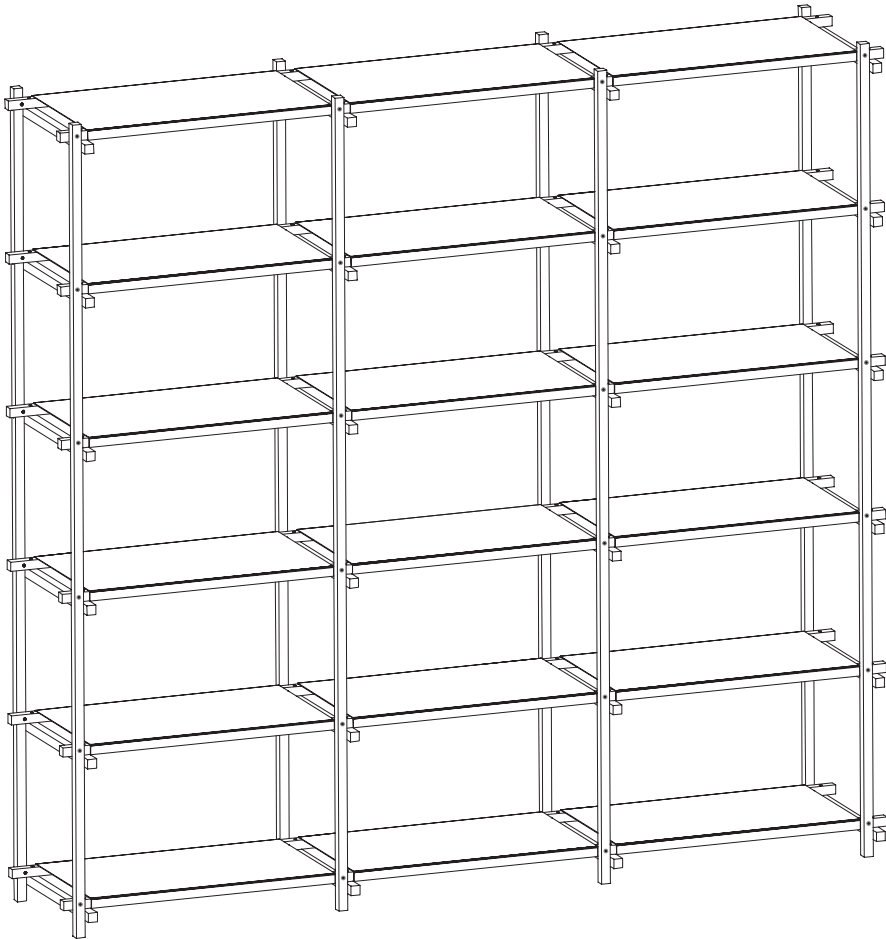
Place the D parts on top of the C parts.





INSTRUCTION MANUAL

Woody
High



PARTS



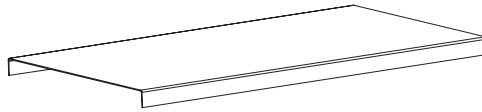
A x 8



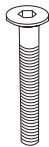
B x 24



C x 12



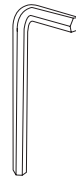
D x 18



E x 144



F x 144



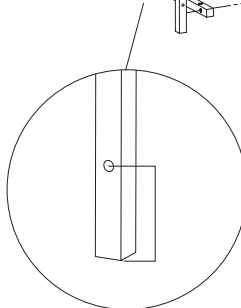
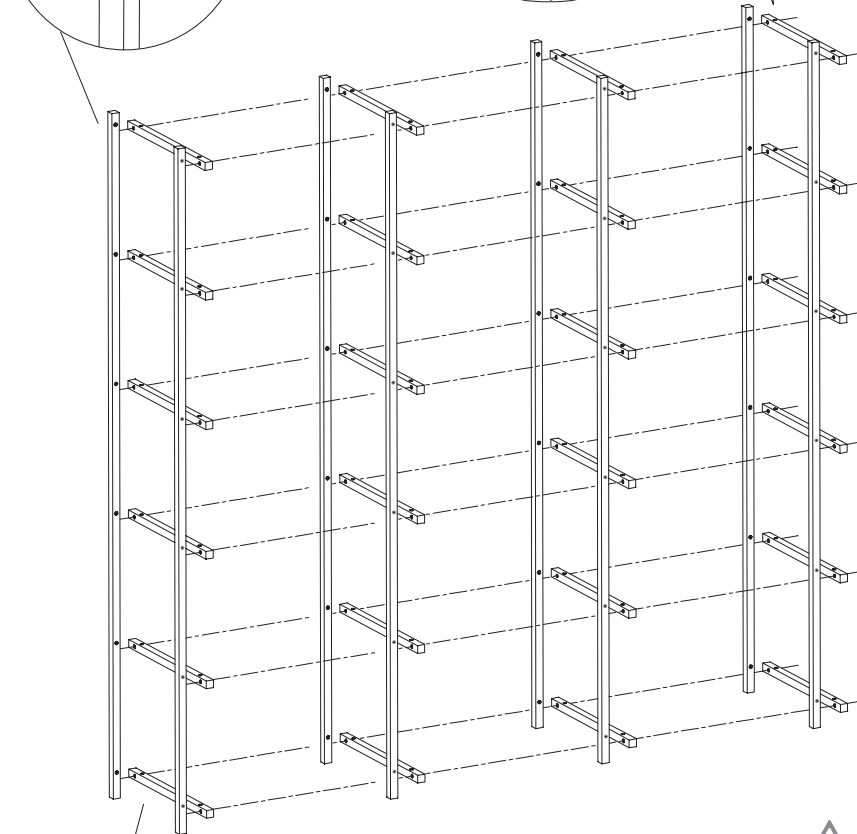
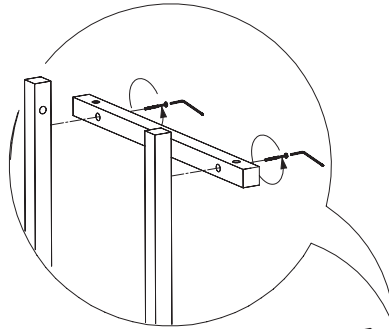
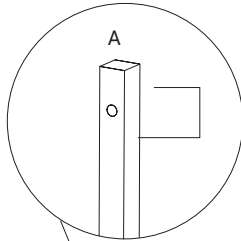
G x 1

1.

Place the 24 x B parts on the A parts and tighten the screws gently.



ATTENTION
TOP DISTANCE
37,5mm



ATTENTION
BOTTOM DISTANCE
52,5mm



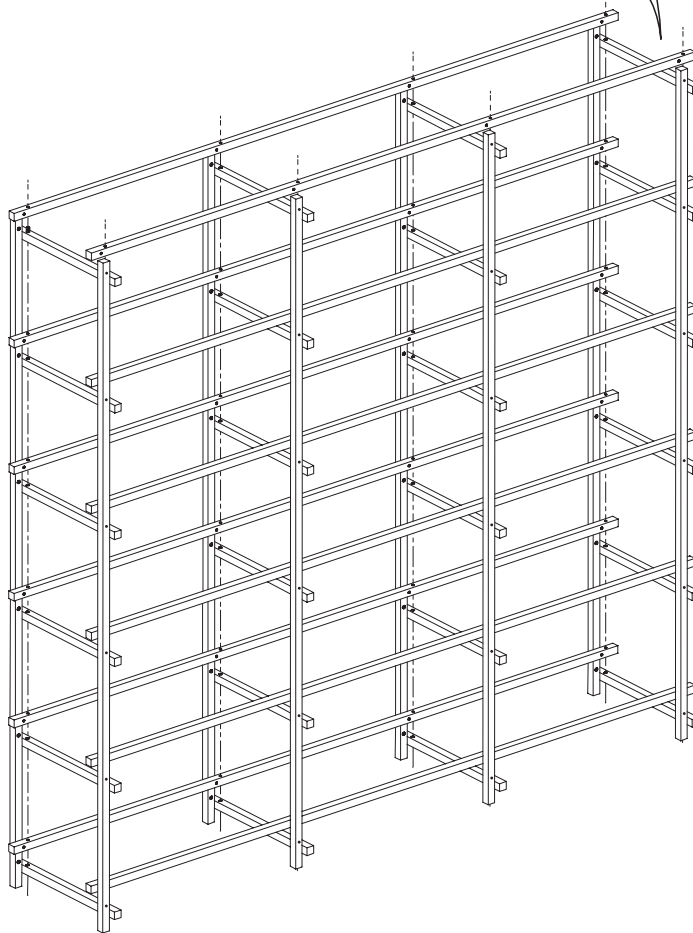
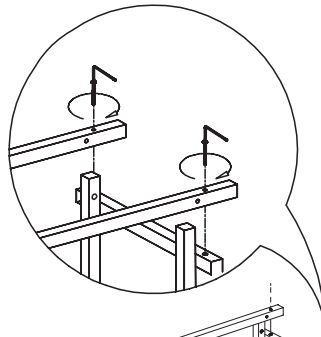
Please wait until step 3 to
full tighten the screws.

2.

Insert the 12 x C parts and gently tighten the screws.
2 persons are recommended to complete the following steps.

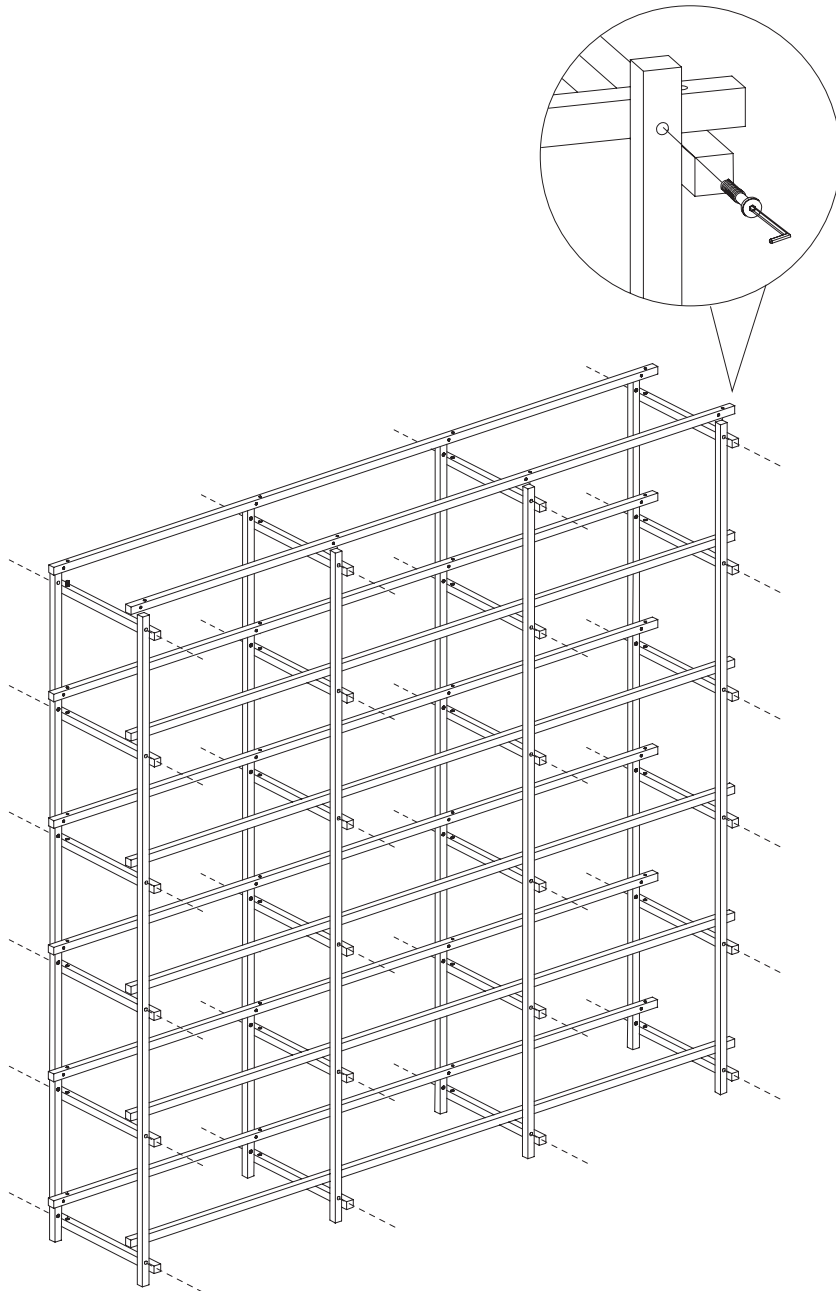


Make sure all the C parts are facing in the same direction with the shortest distance from hole to end.



3.

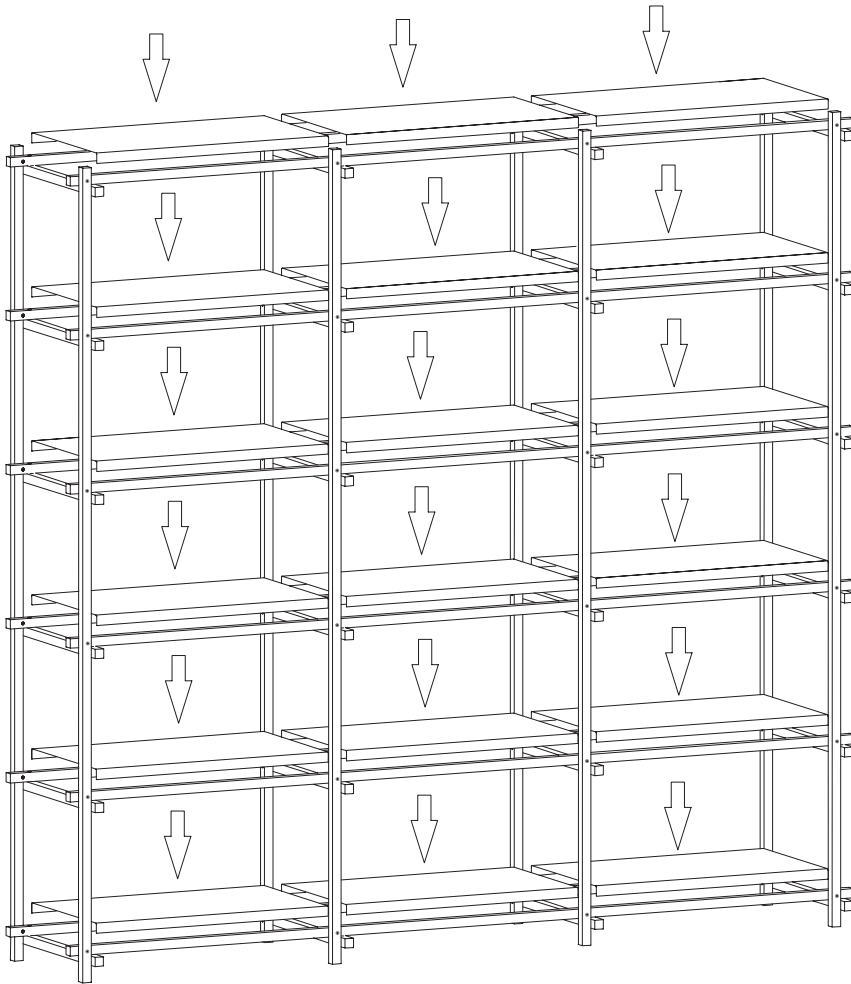
Insert the screws to connect the A parts and C parts. Tighten the screws gently. When all screws are placed and fully tightened, place the F parts on the screw heads.

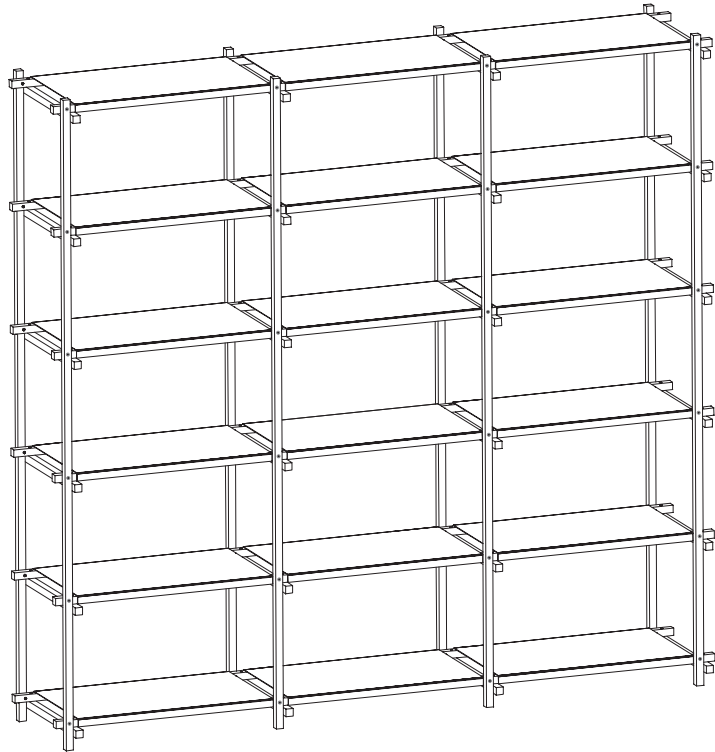


Please ensure all screws are fully tightened before placing the F parts.

4.

Place the D parts on top of the C parts.





Havnen 1 8700 Horsens Denmark
+45 4282 0282 / hay@hay.dk

HAY

ITEM NO. 706378



5 710441 250814