

# PARAVAN

---



User manual

**arper**

**A perimeter to define space.**

**Paravan is sculptural in form and architectural in execution, both articulating and creating space. Like parentheses to enclose a conversation, Paravan creates intimacy in open areas with sound absorbing panels to support focus, concentration, and collaboration.**

# INDEX

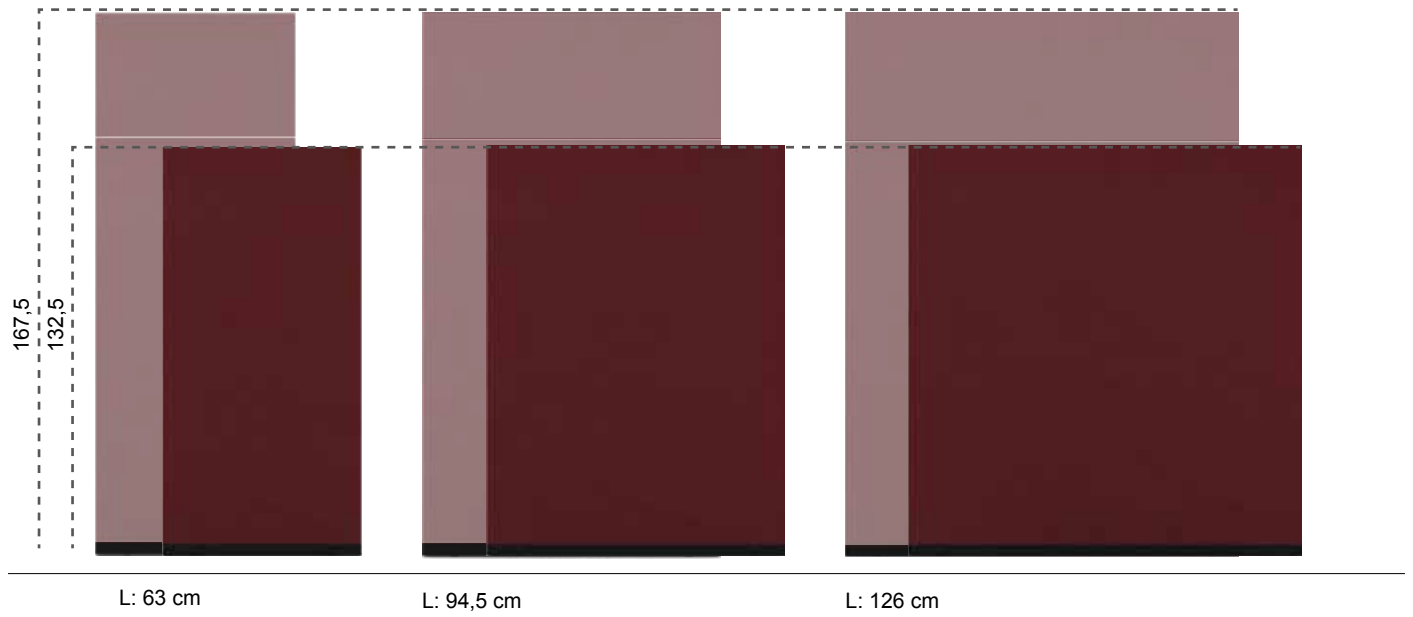
|                                     |           |
|-------------------------------------|-----------|
| <b>— Overview</b>                   | <b>4</b>  |
| <b>Panels</b>                       | <b>4</b>  |
| <b>Cabinet</b>                      | <b>6</b>  |
| <b>Link system</b>                  | <b>7</b>  |
| <b>Bi-colors option</b>             | <b>8</b>  |
| <b>— Arrangement instructions</b>   | <b>9</b>  |
| <b>Plate and links</b>              | <b>10</b> |
| <b>Linear composition</b>           | <b>11</b> |
| <b>90° arrangement composition</b>  | <b>14</b> |
| <b>Work bay compositions</b>        | <b>22</b> |
| <b>120° arrangement composition</b> | <b>26</b> |
| <b>135° arrangement composition</b> | <b>27</b> |
| <b>Circular composition</b>         | <b>28</b> |

# OVERVIEW

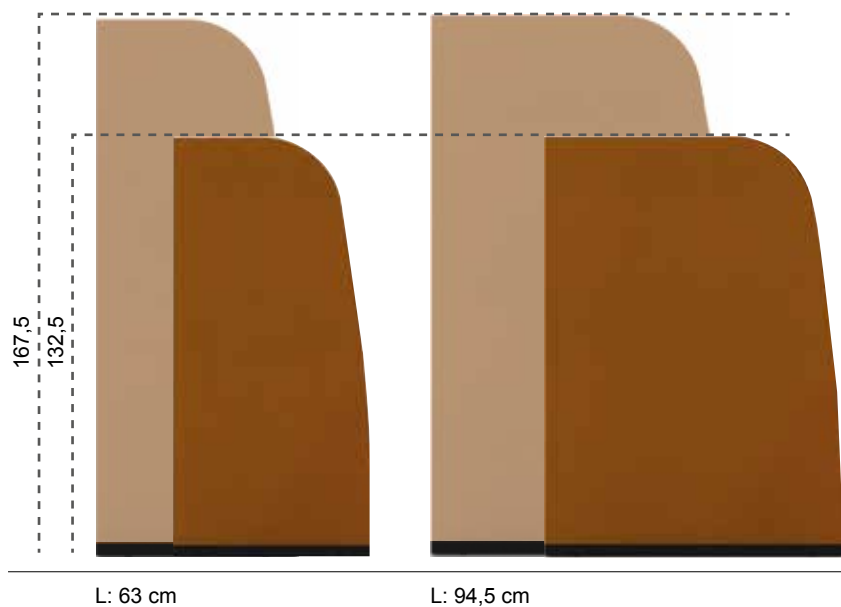
---

Panels available in two heights — h 132,5 cm / 167,5 cm

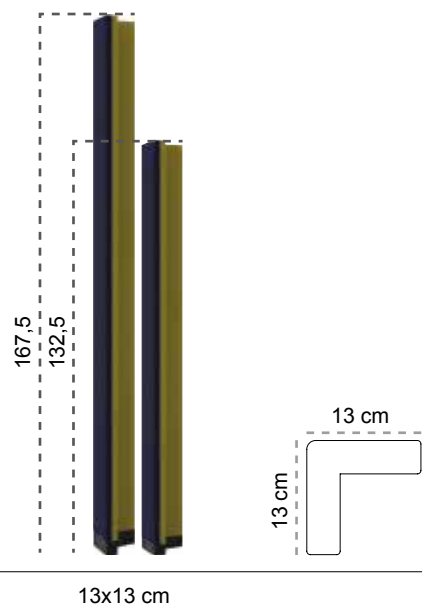
Rectangular panels



Rectangular panels with a curved profile

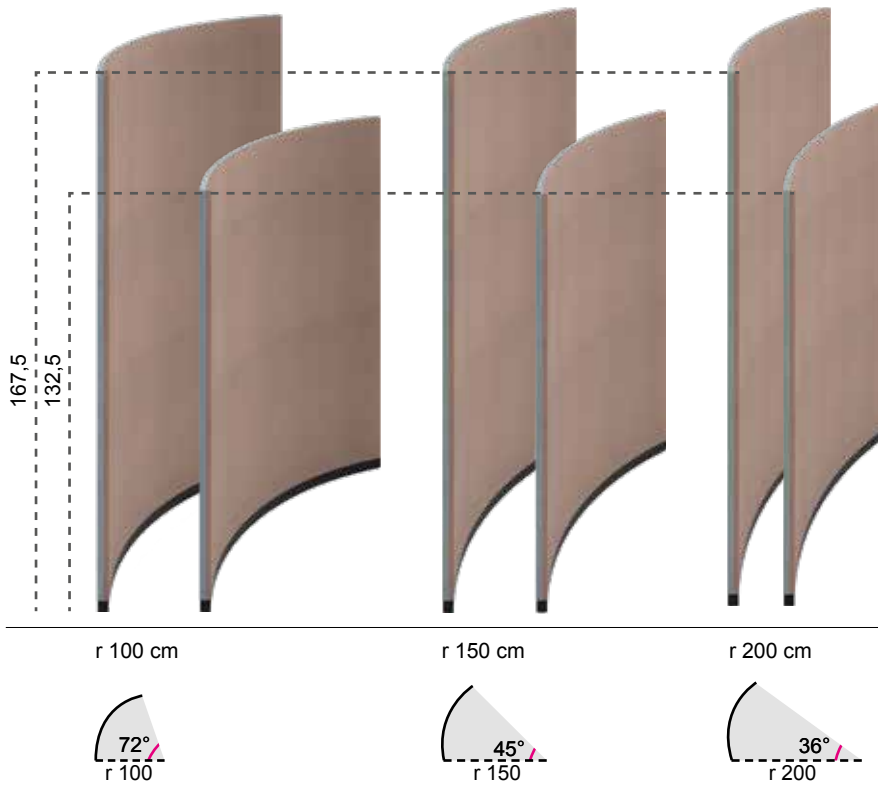


90° angular panels



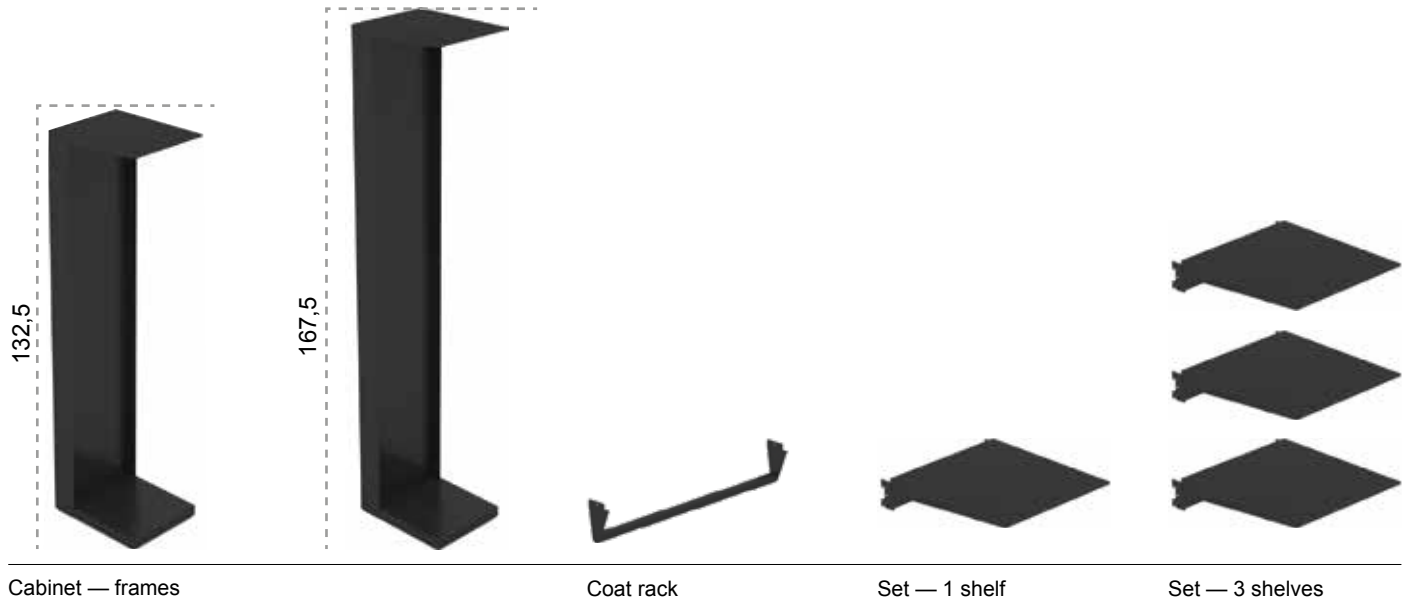
# Paravan

## Curved panel

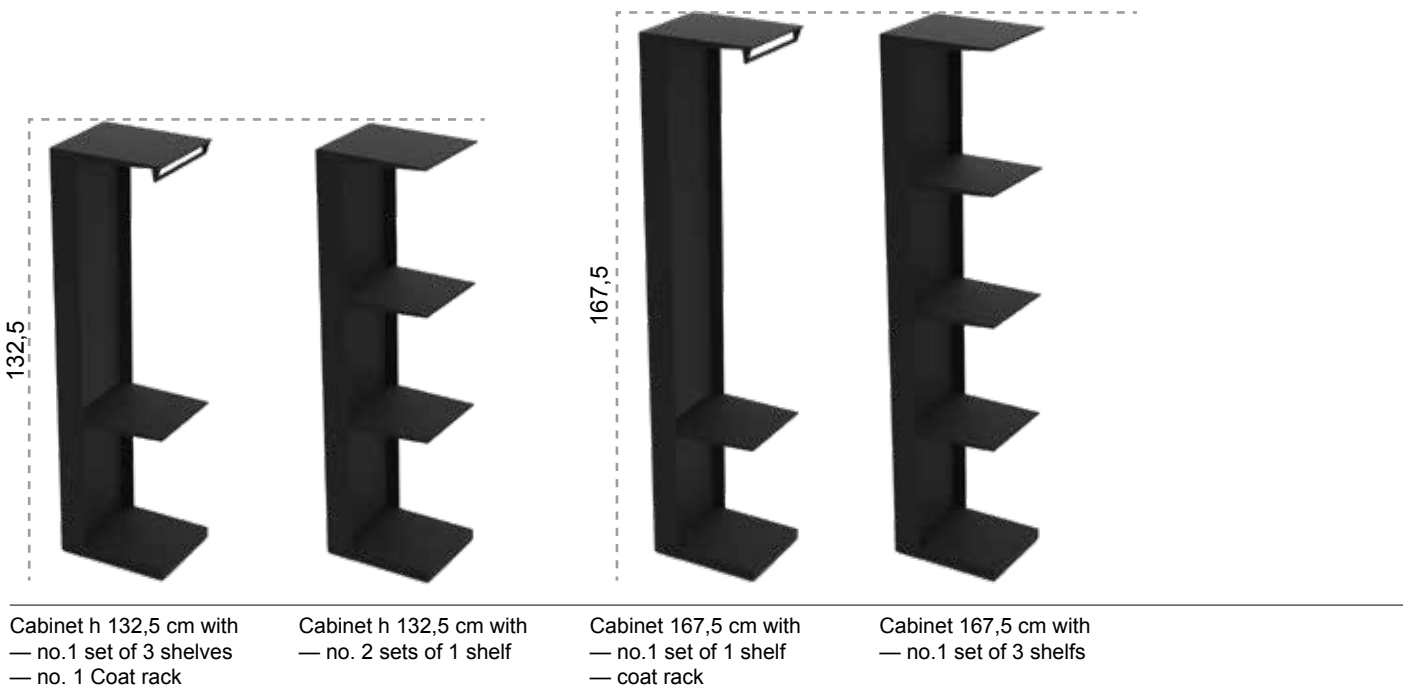


**Cabinet — frame available in two heights — h 132,5 cm / 167,5 cm**

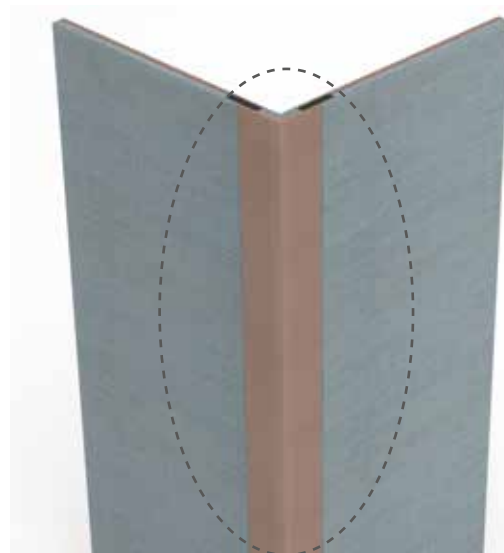
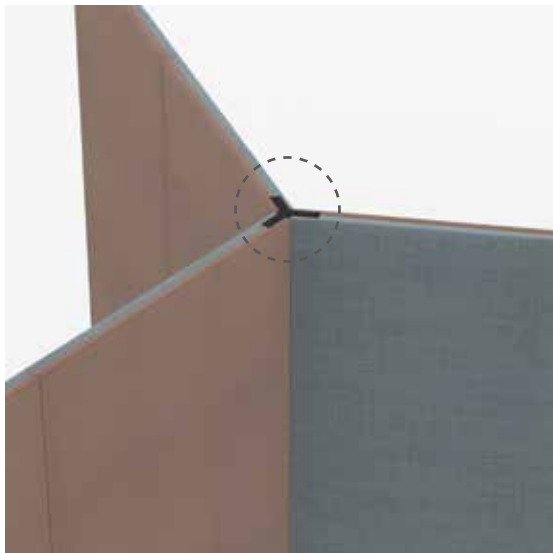
The frame must be positioned between two panels of the same height and completed with accessories such as shelves and/or coat racks.



**Composition examples**



## Connection systems



Connection element with fastening kit for panels:

- 2-way linear link for 180° arrangements, Art. 6423
- 2-way link for 90° arrangements, "L"-shaped Art. 6424
- 2-way link for 135° arrangements, "V"-shaped Art. 6425
- 3-way link for 90° arrangements, "T"-shaped Art. 6426
- 3-way link for 120° arrangements, "Y"-shaped Art. 6427
- 4-way link for 90° arrangements, "X"-shaped Art. 6428
- Link for circular compositions Art. 6431

Connection element for 90° angular panels:

- 90° angular panels h 132,5 cm Art. 6416
- 90° angular panels h 167,5 cm Art. 6417



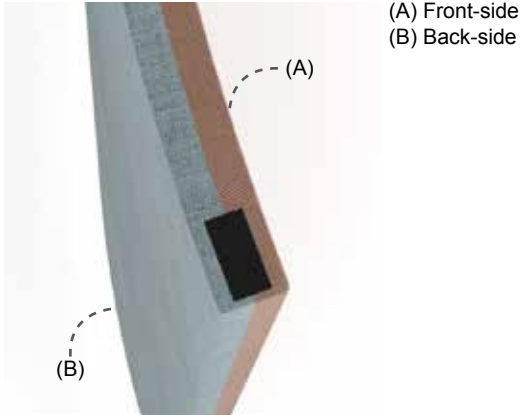
**Tackable when configured with proper textile**



Connection system for Cabinet:

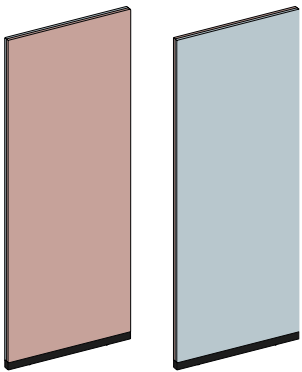
- Cabinet (frame) h 132,5 Art. 6418
- Cabinet (frame) h 167,5 Art. 6419

**Two-colour options for all panel versions**



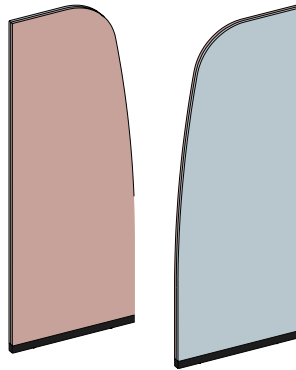
**Two-color arrangement detail**

**Rectangular panels**



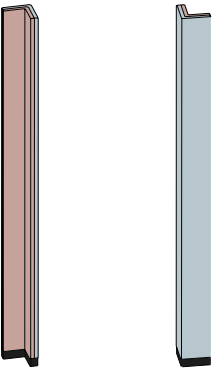
(A) Front-side (B) Back-side

**Rectangular panels with a curved profile**



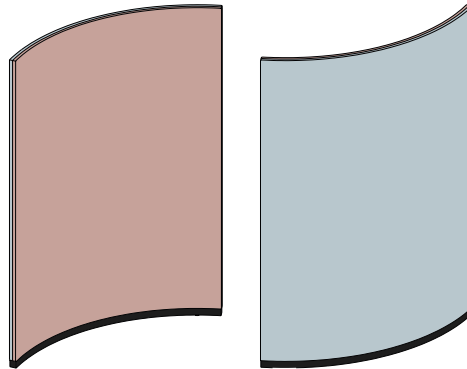
(A) Front-side (B) Back-side

**90° angular panels**



(A) Front-side (B) Back-side

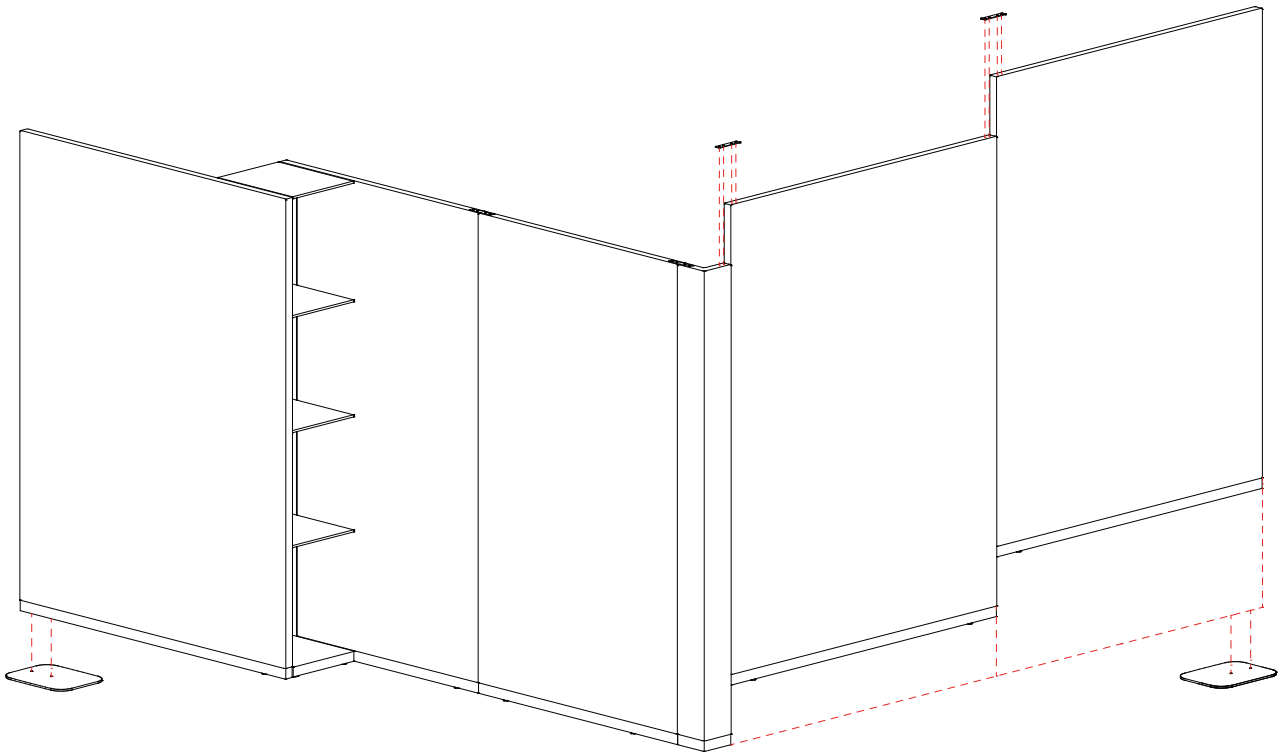
**Curved panel**



(A) Front-side (B) Back-side



# ARRANGEMENT INSTRUCTIONS

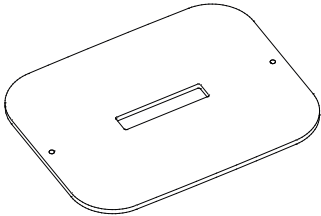


## Fixing plates

Each code referring to fixing plates is intended for no. 01 unit.

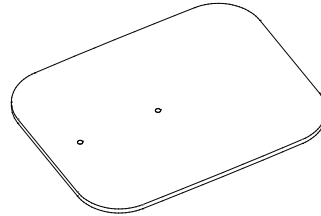
### Art. 6429 - Connection fixing plate

Connection fixing plates must be mounted between two panels. The number of fixing plates needed depends on the arrangement type.



### Art. 6430 - Single standard fixing plate

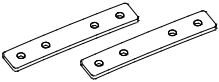
Single standard fixing plates must always be mounted at the end of the arrangement.



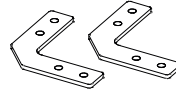
## Links

Each code referring to links is intended for a complete kit containing no. 02 units. Links must be positioned on the upper profile and on the lower profile of the panels.

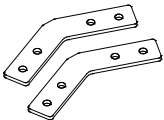
### Art. 6423 - 2-way link for 180° arrangements, linear



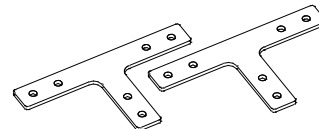
### Art. 6424 - 2-way link for 90° arrangements, "L"-shaped



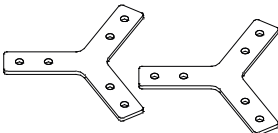
### Art. 6425 - 2-way link for 135° arrangements, "V"-shaped



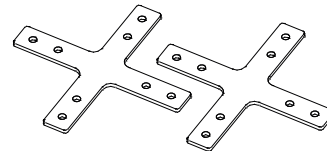
### Art. 6426 - 3-way link for 90° arrangements, "T"-shaped



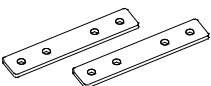
### Art. 6427 - 3-way link for 120° arrangements, "Y"-shaped



### Art. 6428 - 4-way link for 90° arrangements, "X"-shaped



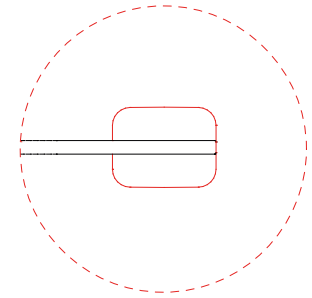
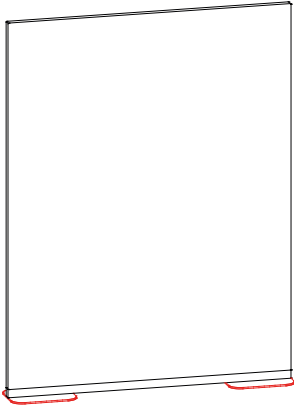
### Art. 6431 - Kit for circular linking



## Linear arrangements

### Freestanding

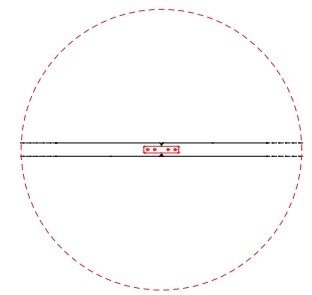
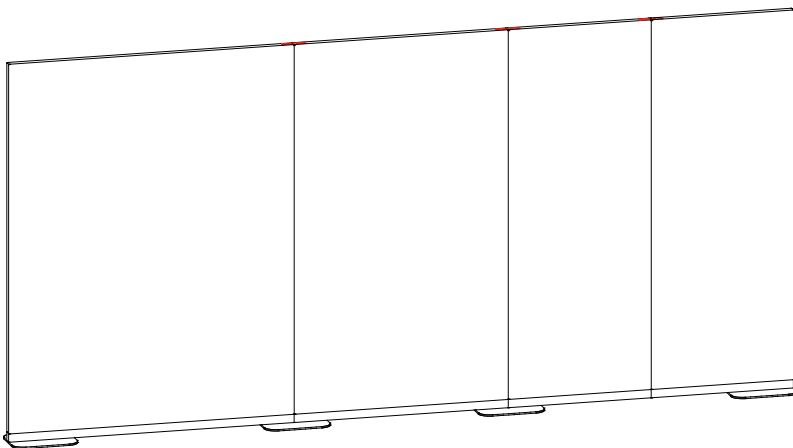
- Set the panel as “Freestanding” when placing the order.
- Fix the single standard plates of the kit at the two ends of the panel.



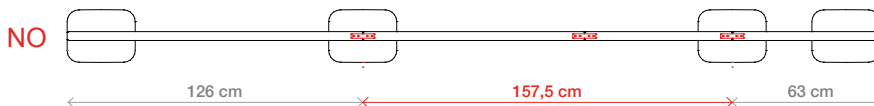
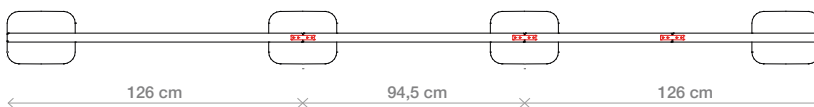
Single standard fixing plates

### With panels creating a line

- Fix a single standard plate at the two ends of the panel. (Art.6430).
- If the line is longer than 300 cm, use one or more connection fixing plates.
- Distance between the previous and the following connection fixing plates (Art. 6429) must be lower than 150 cm.



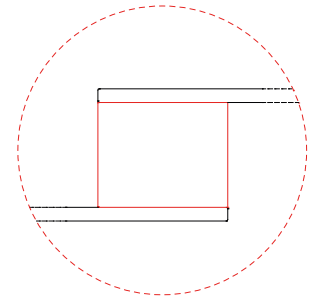
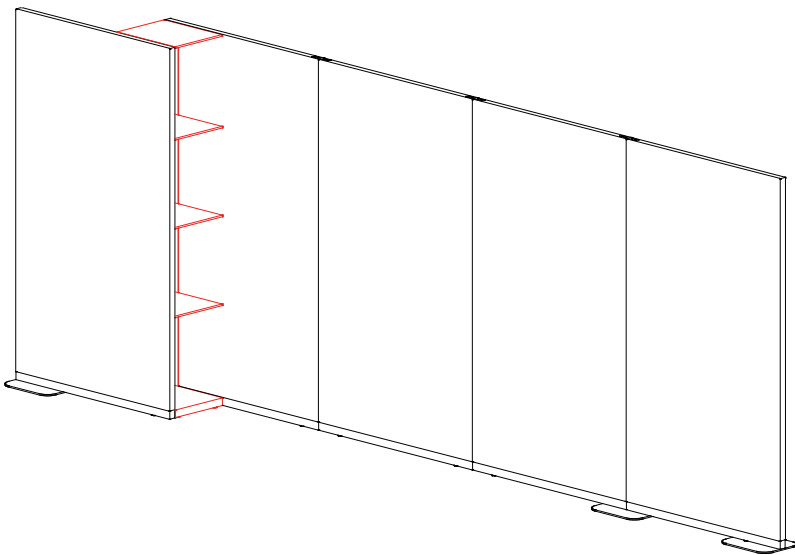
Art.6423 - 2-way link for 180° arrangements, linear



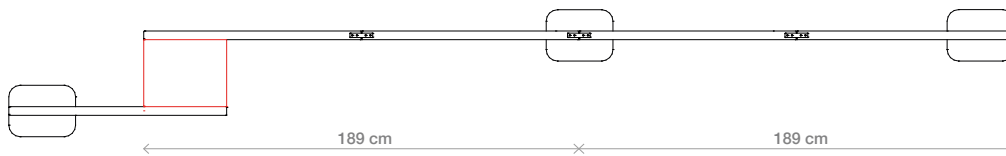
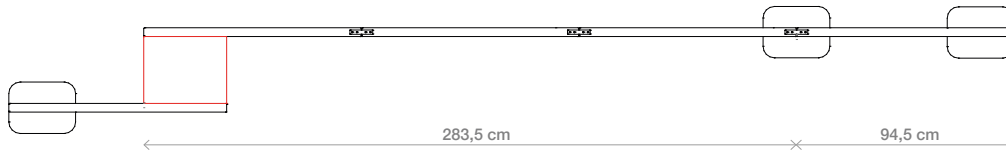
# Paravan

## Cabinet

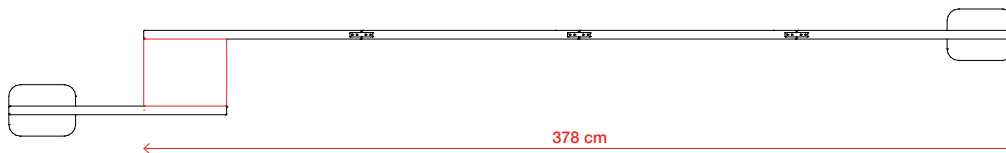
- Cabinets (Art. 6418, Art. 6419) must always be installed between two panels and can be mounted flush with the panels or recessed.
- Fix a single standard plate at the two ends of the panel. (Art. 6430).
- As for stability, the Cabinet acts as a connection fixing plate.
- Distance between connection fixing plates (Art. 6429) and the previous and the following plate (or Cabinet) must be lower than 300 cm.



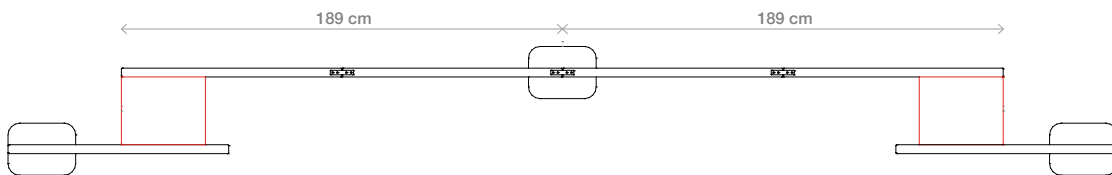
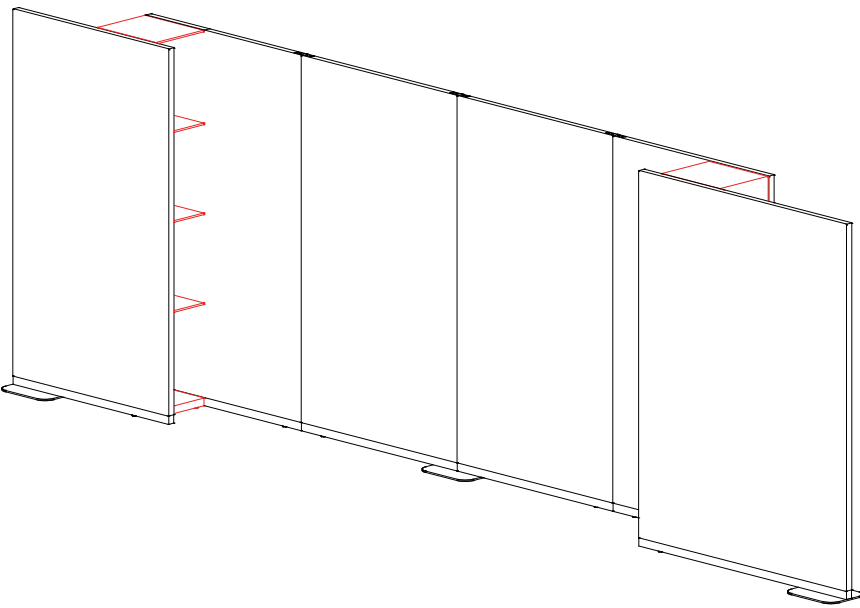
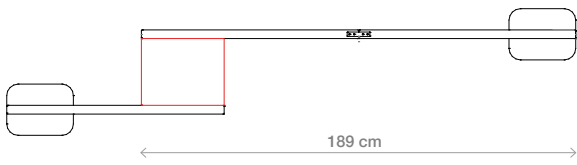
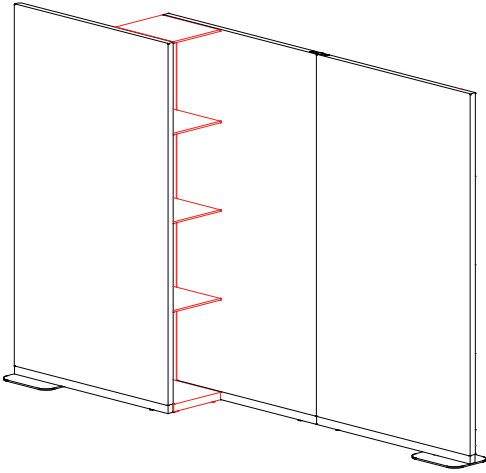
Art. 6418 - Cabinet frame h 132,5 cm  
Art. 6419 - Cabinet frame h 167,5 cm



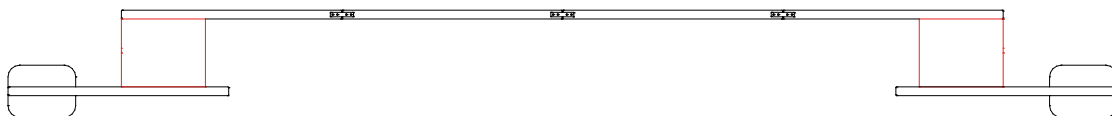
NO



# Paravan



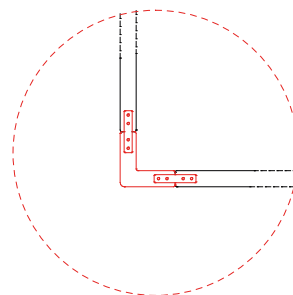
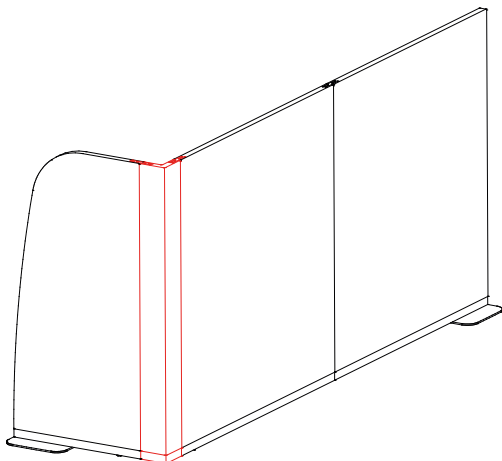
NO



## 90° or “L”-shaped layouts

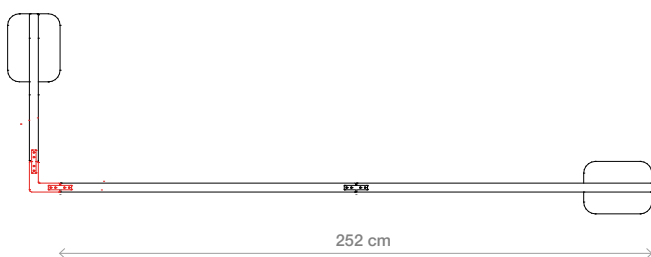
### “L”-shaped with a 90° angular panel

- Fix a single standard plate at the two ends of the panel (Art. 6430).
- As for stability, the angular panel acts as a connection fixing plate.
- Distance between connection fixing plates (Art. 6429) and the previous and the following plate (or angular panel) must be lower than 300 cm.

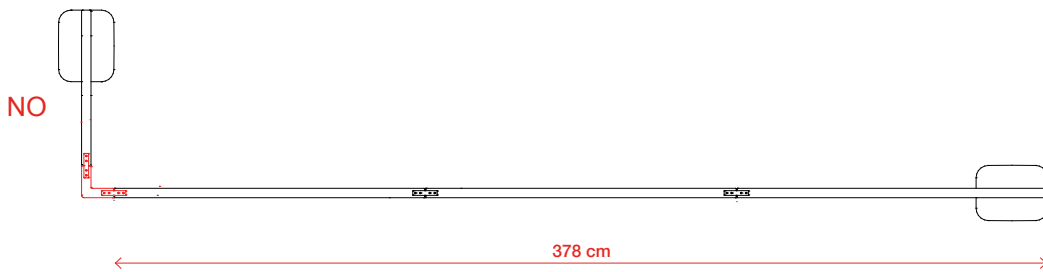
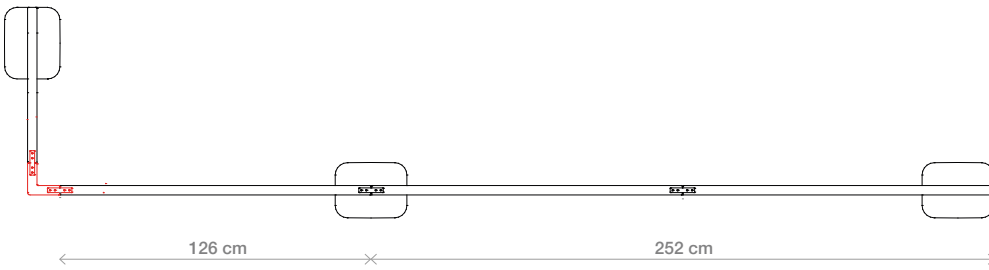
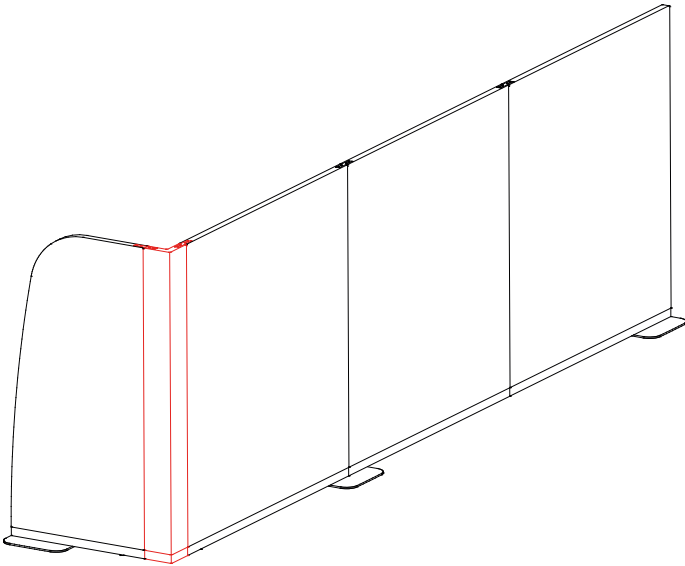


Art. 6416 - Angular panel h 132,5 cm

Art. 6417 - Angular panel h 167,5 cm



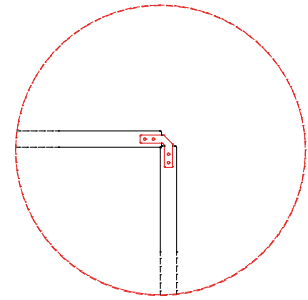
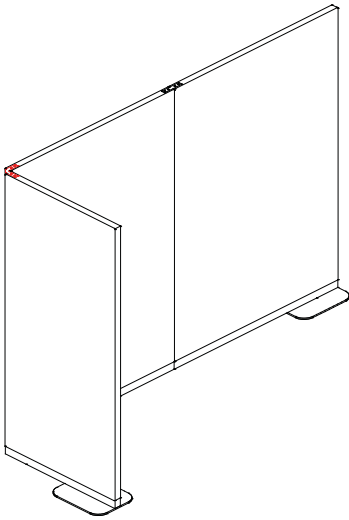
# Paravan



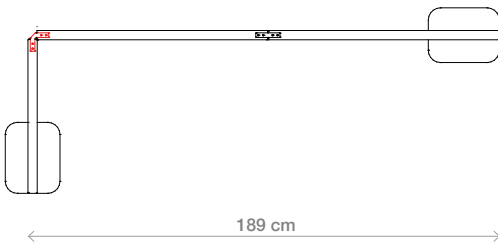
## Paravan

### “L”-shaped arrangement with a 2-way link

- Fix a single standard plate at the two ends of the panel (Art. 6430).
- As for stability, the “L”-shaped 2-way link acts as a connection fixing plate.
- Distance between connection fixing plates (Art. 6429) and the previous and the following plate (or “L”-shaped 2-way link) must be lower than 300 cm.

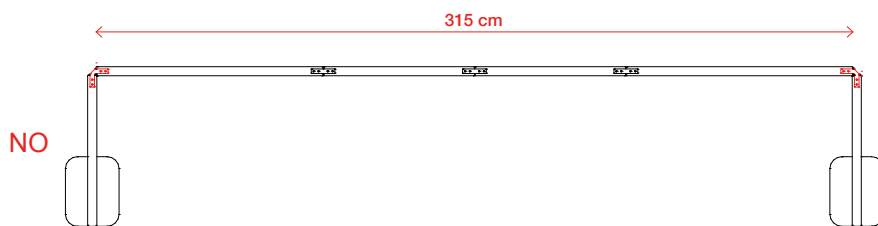
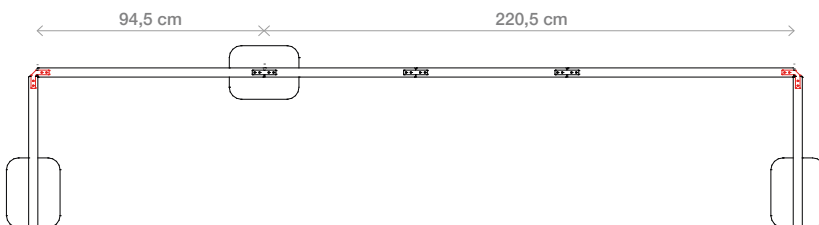
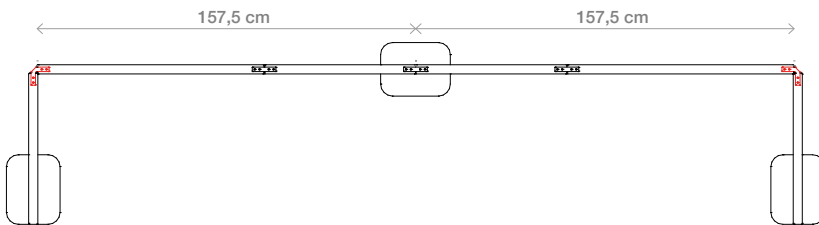
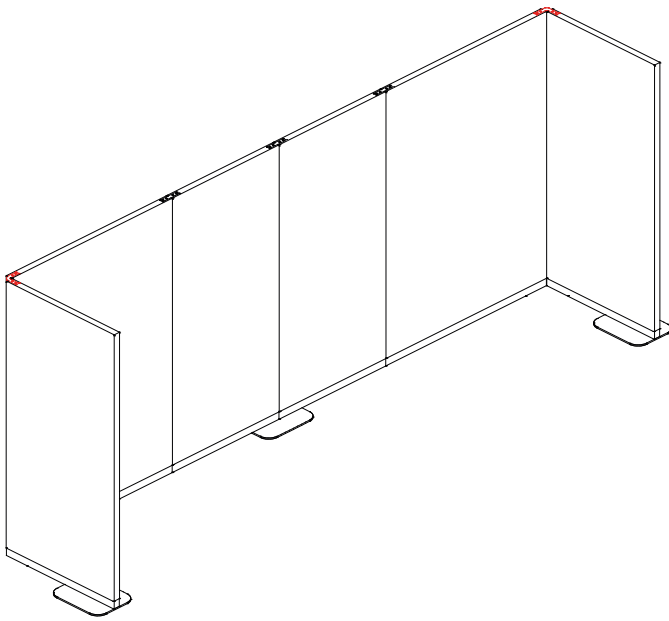


Art. 6424 - 2-way link for 90° arrangements, “L”-shaped



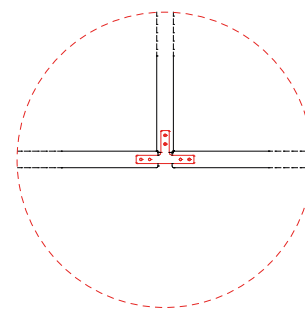
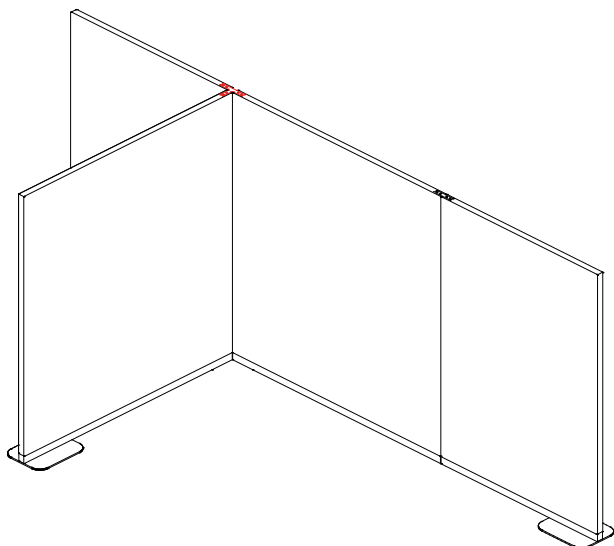


# Paravan

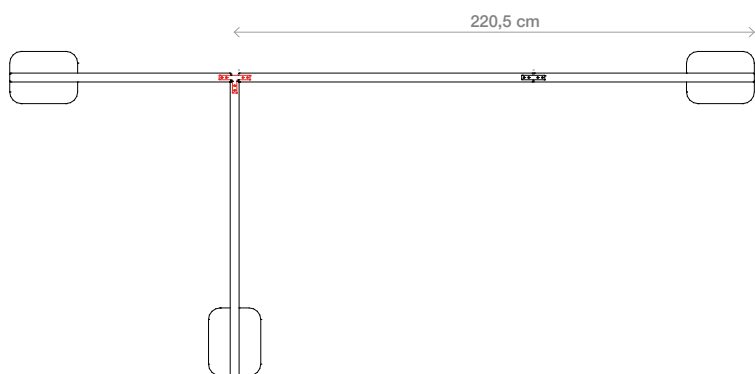


## “T”-shaped arrangement with a 3-way link

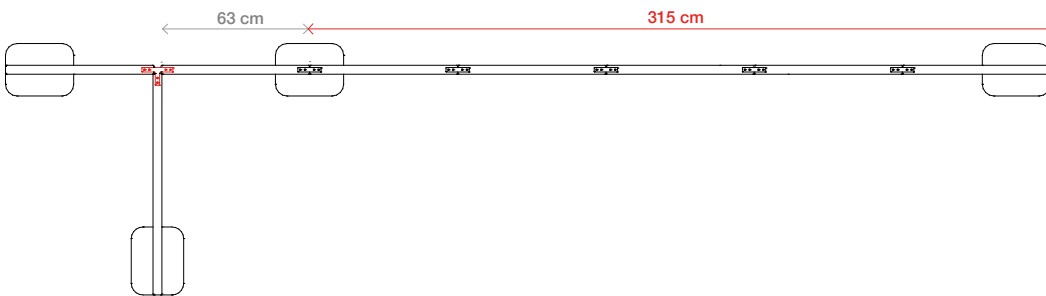
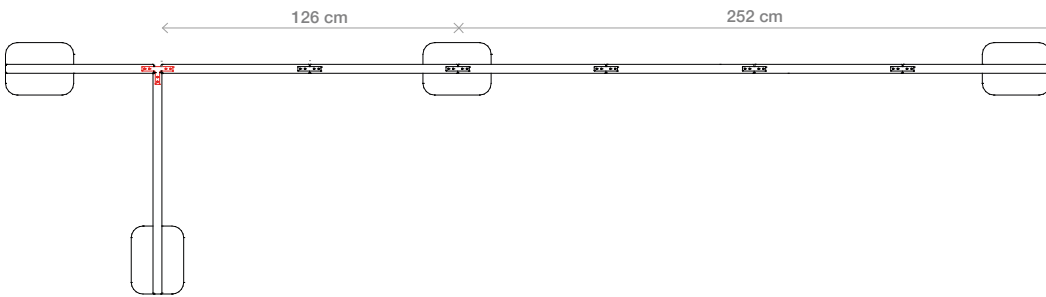
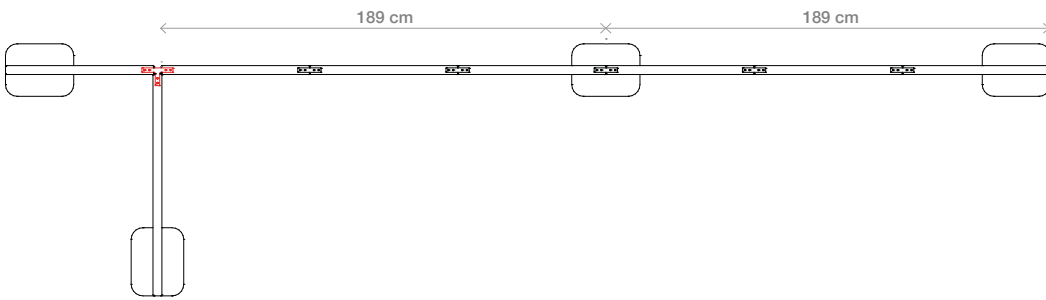
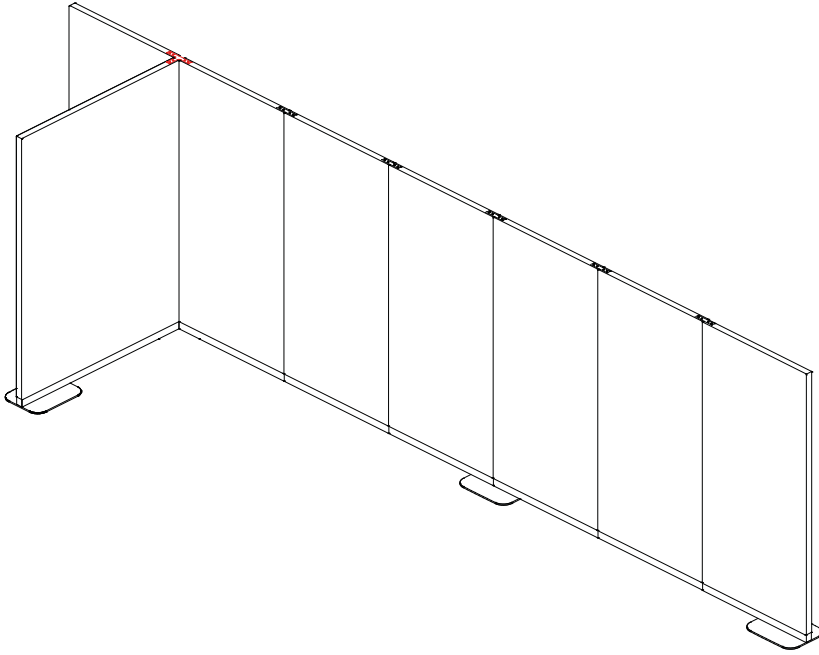
- Fix a single standard plate at every end of the panel (Art. 6430).
- As for stability, the “T”-shaped 3-way link acts as a connection fixing plate.
- Distance between connection fixing plates (Art. 6429) and the previous and the following plate (or “T”-shaped 3-way link) must be lower than 300 cm.



Art. 6426 - 3-way link for 90° arrangements, “T”-shaped



# Paravan

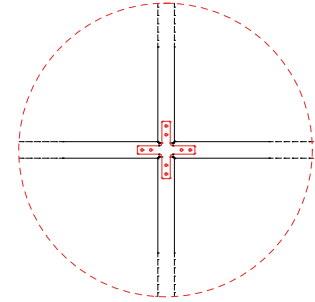
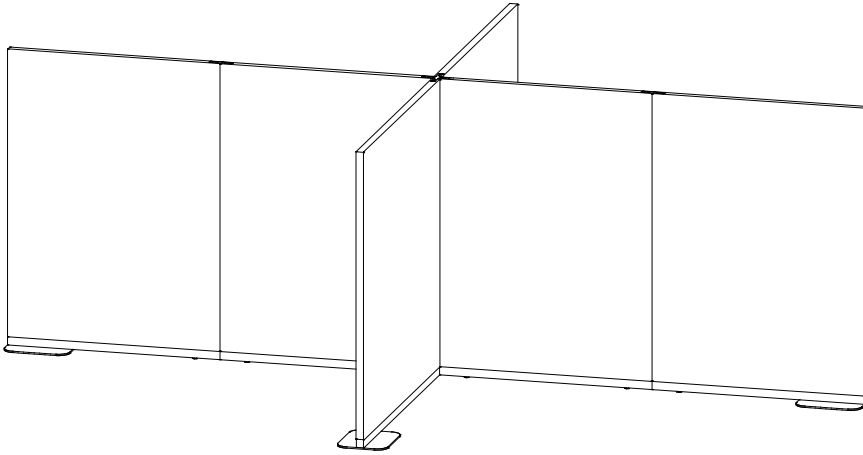


NO

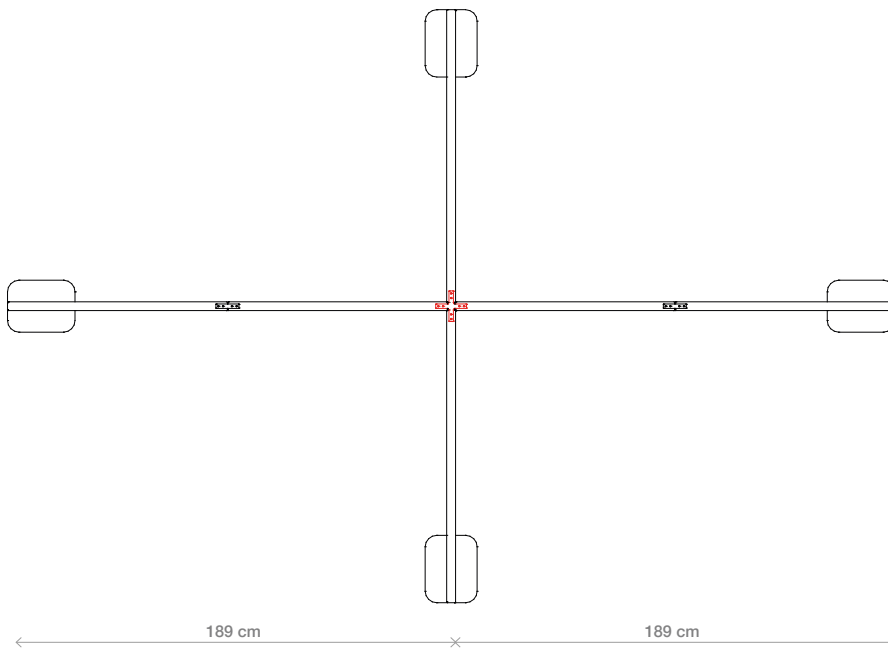
## Paravan

### **“X”-shaped arrangement with a 4-way link**

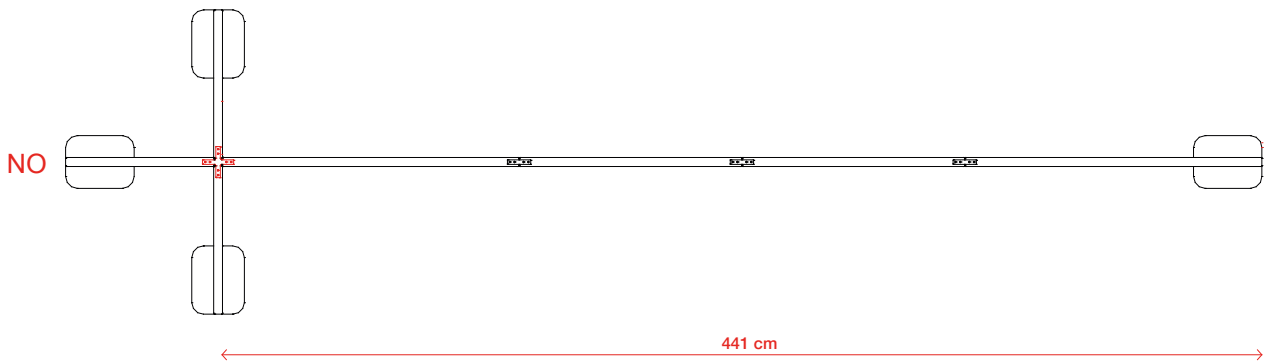
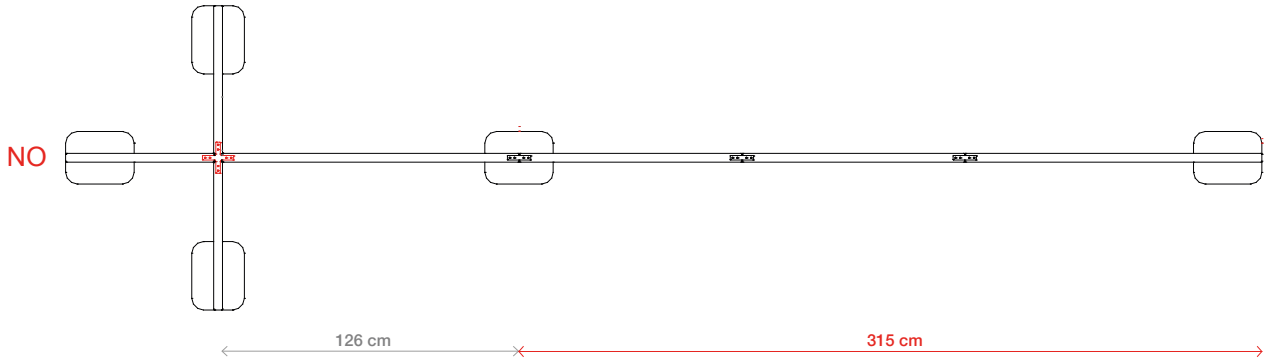
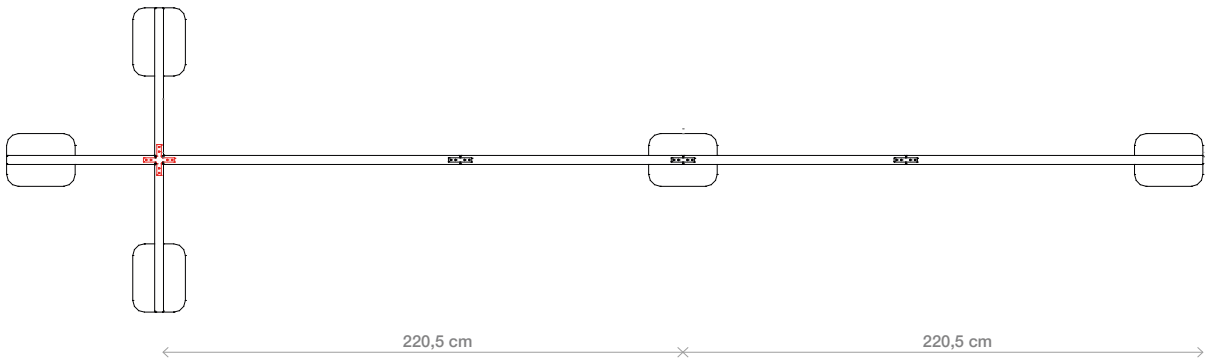
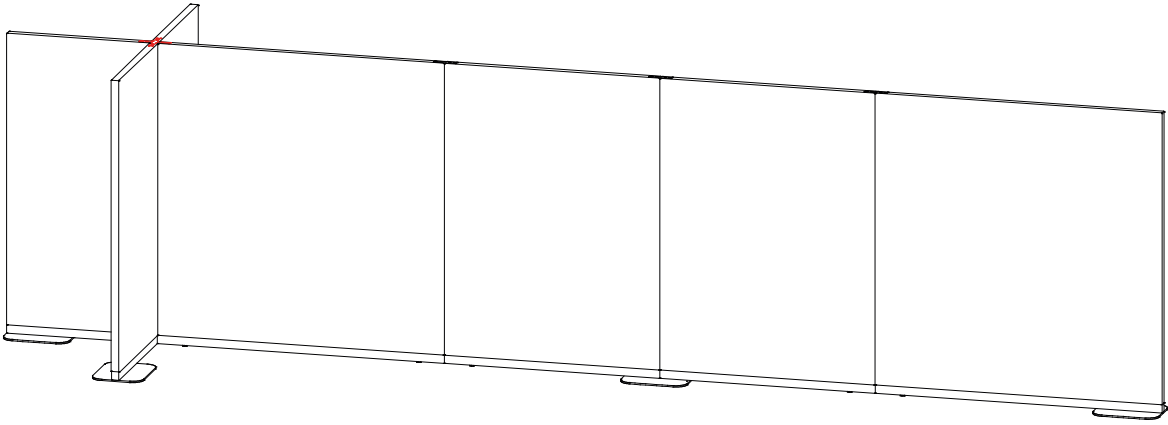
- Fix a single standard plate at every end of the panel (Art. 6430).
- As for stability, the “X”-shaped 4-way link acts as a connection fixing plate.
- Distance between connection fixing plates (Art. 6429) and the previous and the following plate (or “X”-shaped 4-way 90° link) must be lower than 300 cm.



Art. 6428 - 4-way link for 90° arrangements, “X”-shaped



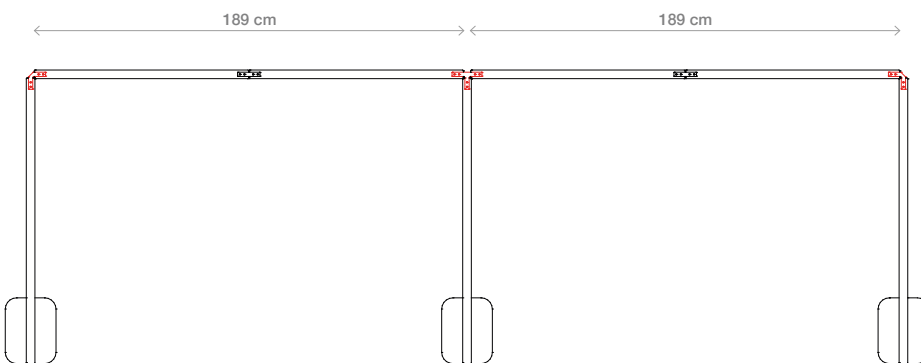
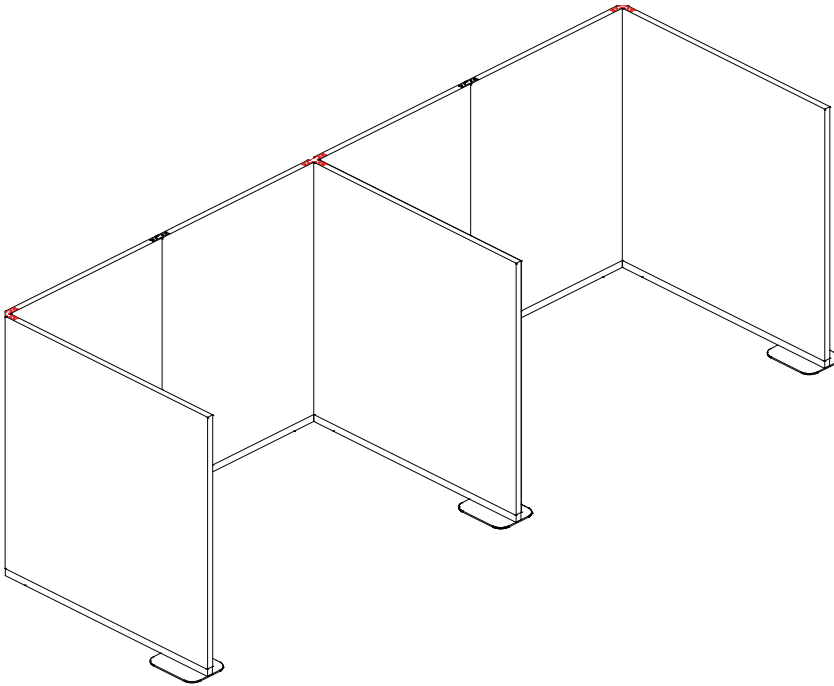
# Paravan



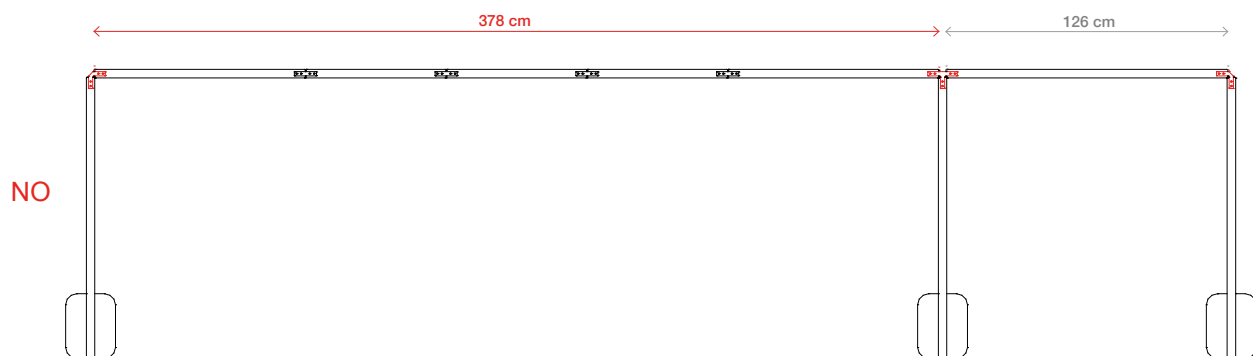
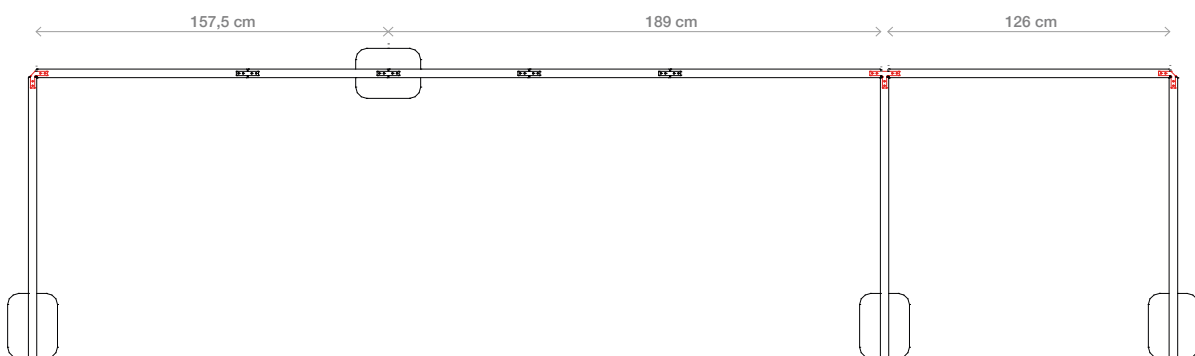
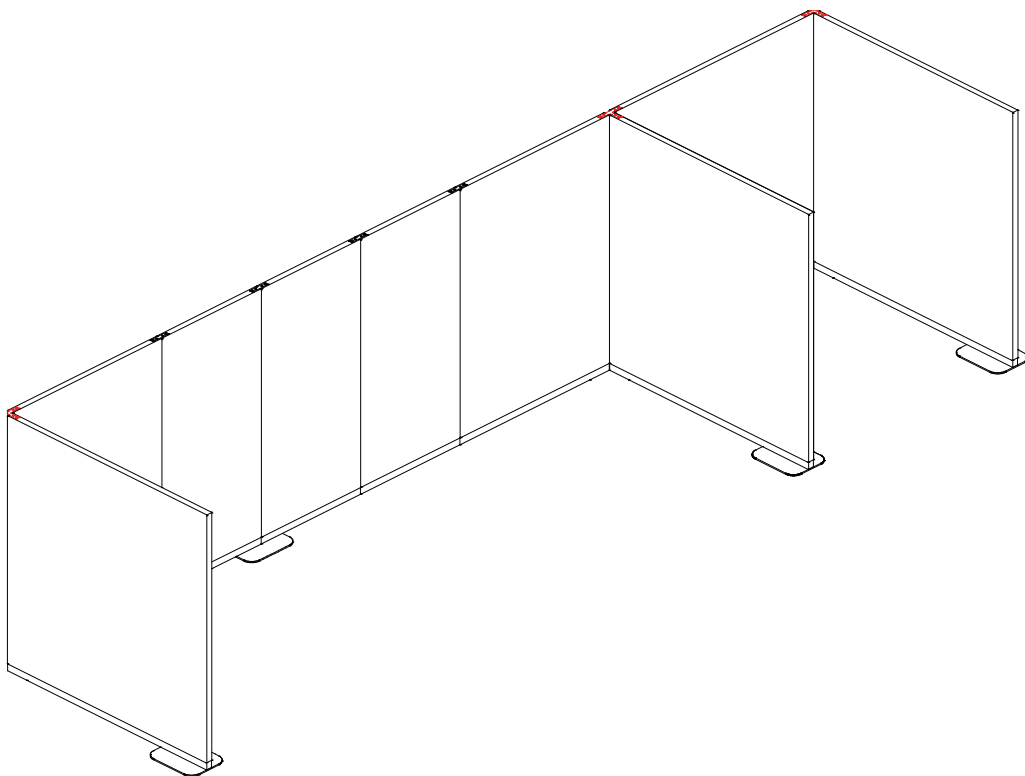
## Work bay layouts

### Work bay

- Fix a single standard plate at every end of the panel (Art. 6430).
- As for stability, the “L”-shaped 2-way 90° link and the “T”-shaped 3-way 120° link act as connection fixing plates.
- Distance between connection fixing plates (Art. 6429) and the previous and the following plate (or the “L”-shaped 2-way 90° link and the “T”-shaped 3-way 120° link) must be lower than 300 cm.

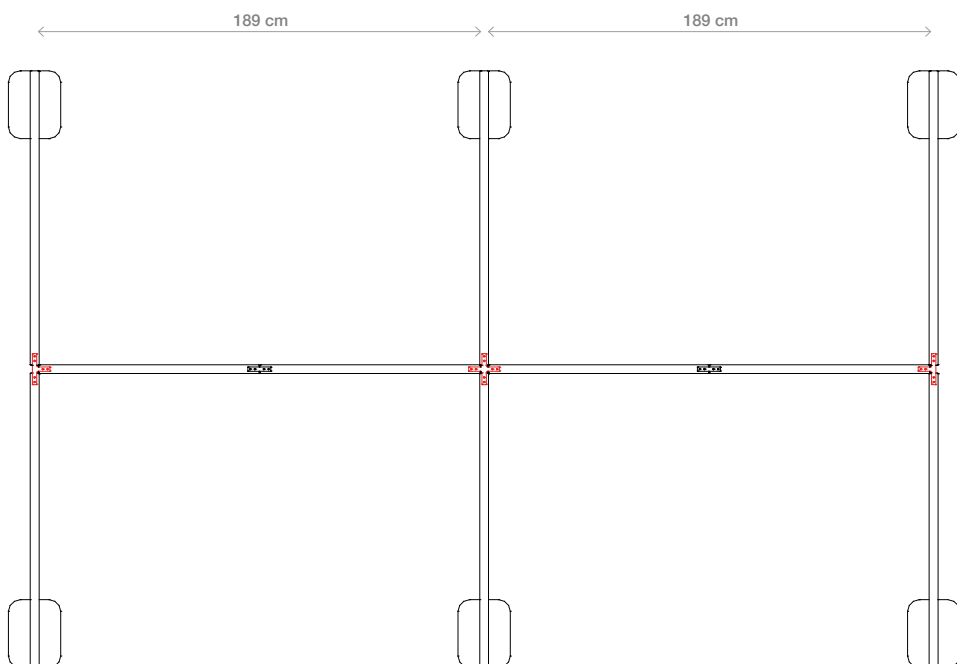
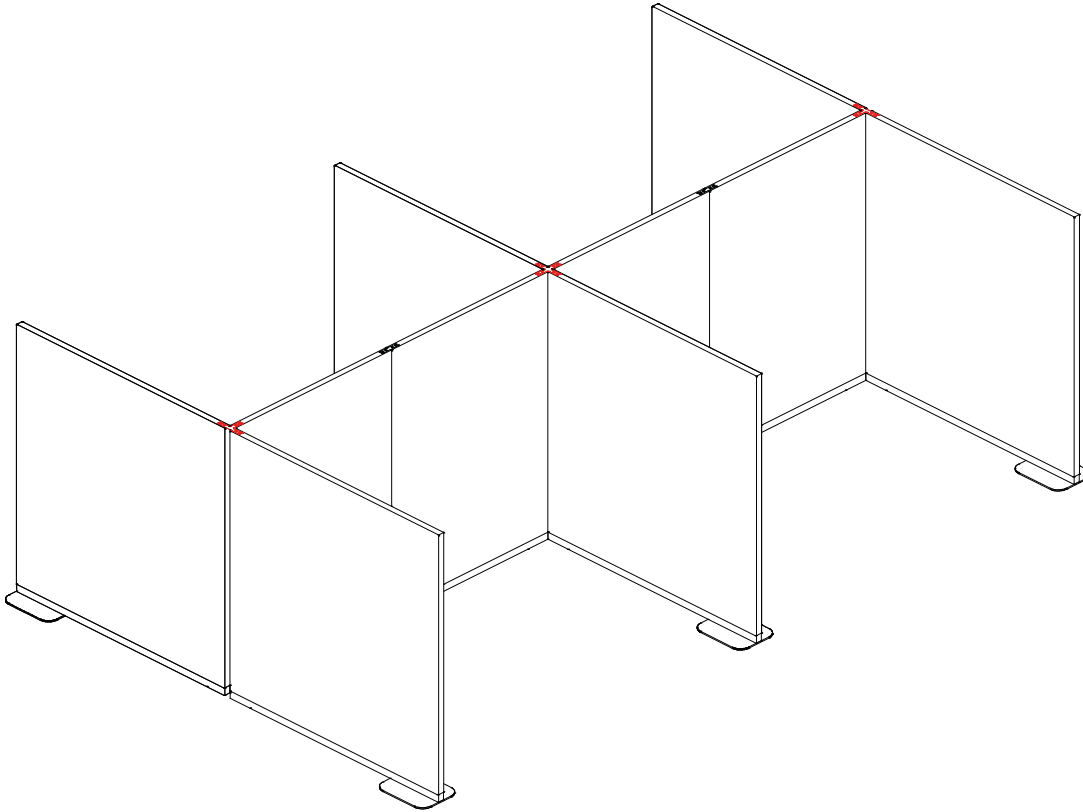


# Paravan



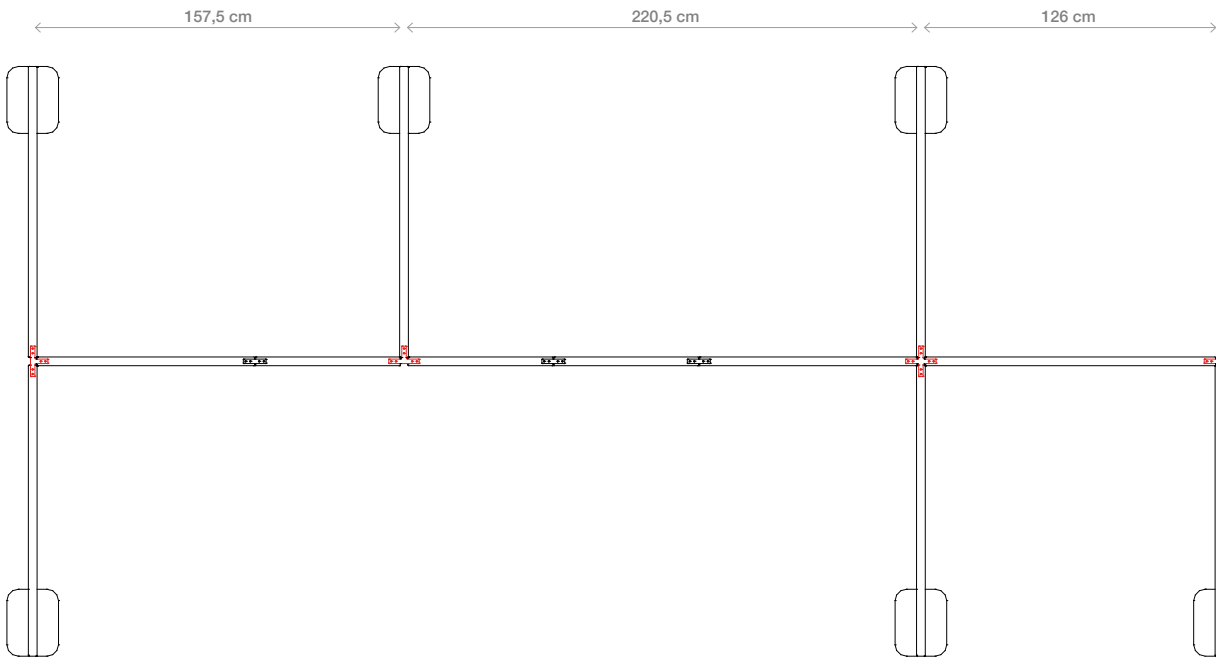
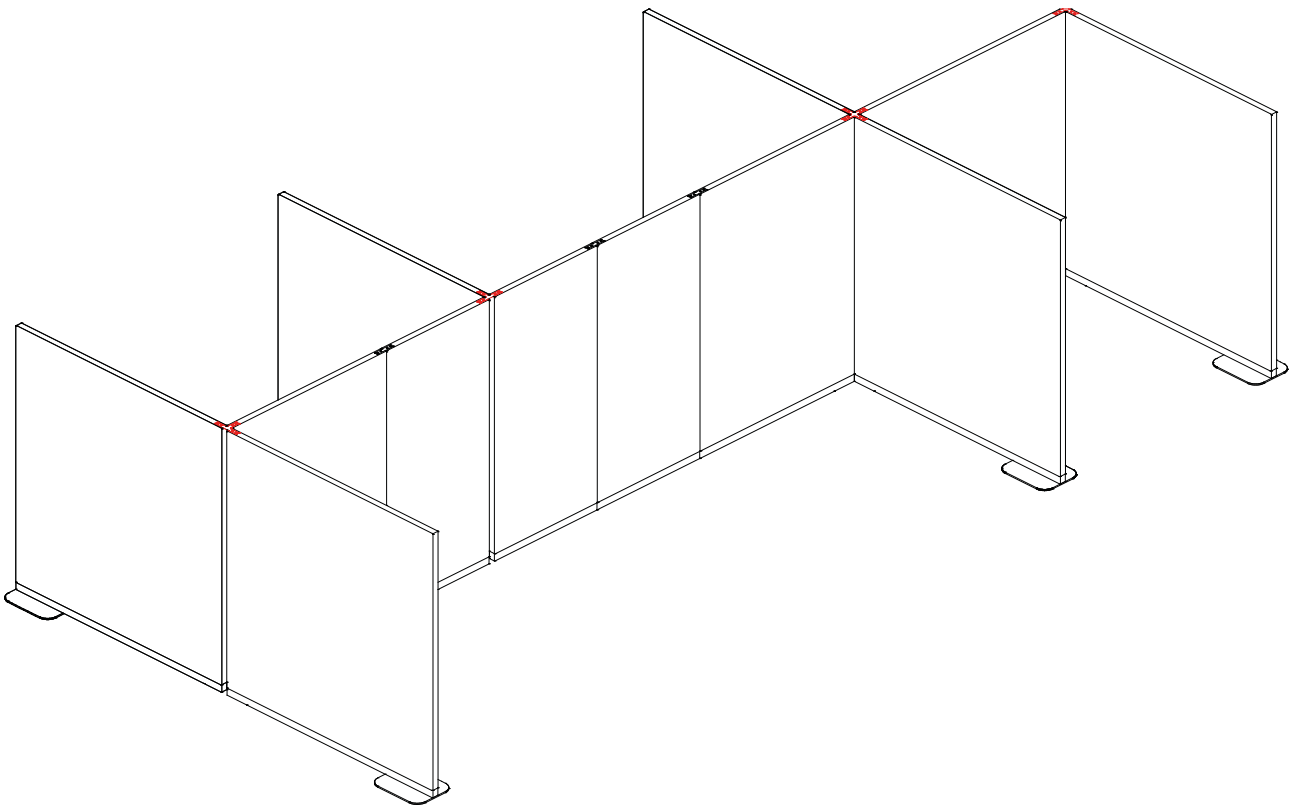
## Double-sided Work Bay

- Fix a single standard plate at every end of the panel (Art. 6430).
- As for stability, the “L”-shaped 2-way 90° link, the “T”-shaped 3-way 90° link and the “X”-shaped 4-way 90° link act as connection fixing plates.
- Distance between connection fixing plates (Art. 6429) and the previous and the following plate (or the “L”-shaped 2-way 90° link, the “T”-shaped 3-way 90° link and the “X”-shaped 4-way 90° link) must be lower than 300 cm.





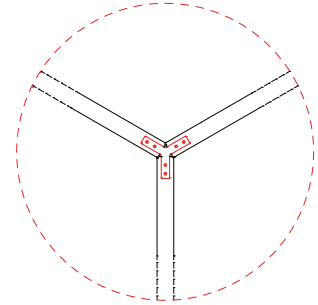
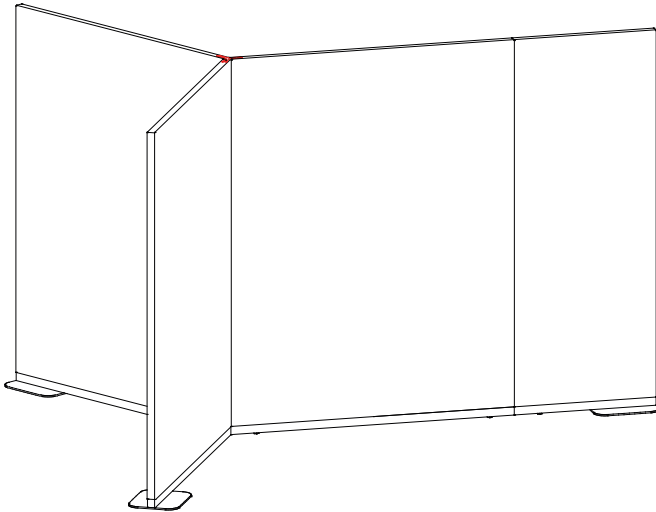
# Paravan



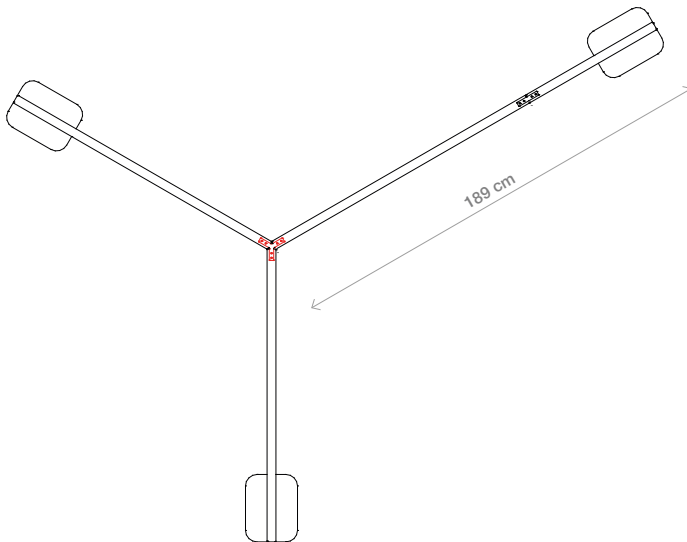
## 120° or “Y”-shaped layouts

### “Y”-shaped, 3-way link

- Fix a single standard plate at every end of the panel (Art. 6430).
- As for stability, the “Y”-shaped 3-way 120° link acts as a connection fixing plate..
- Distance between connection fixing plates (Art. 6429) and the previous and the following plate (or “Y”-shaped 3-way 120° link) must be lower than 300 cm.



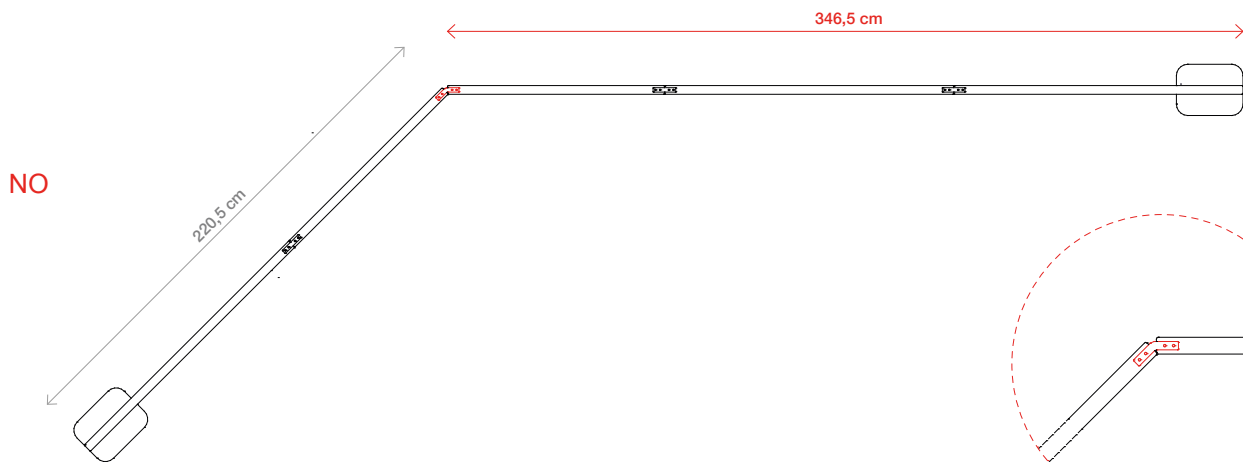
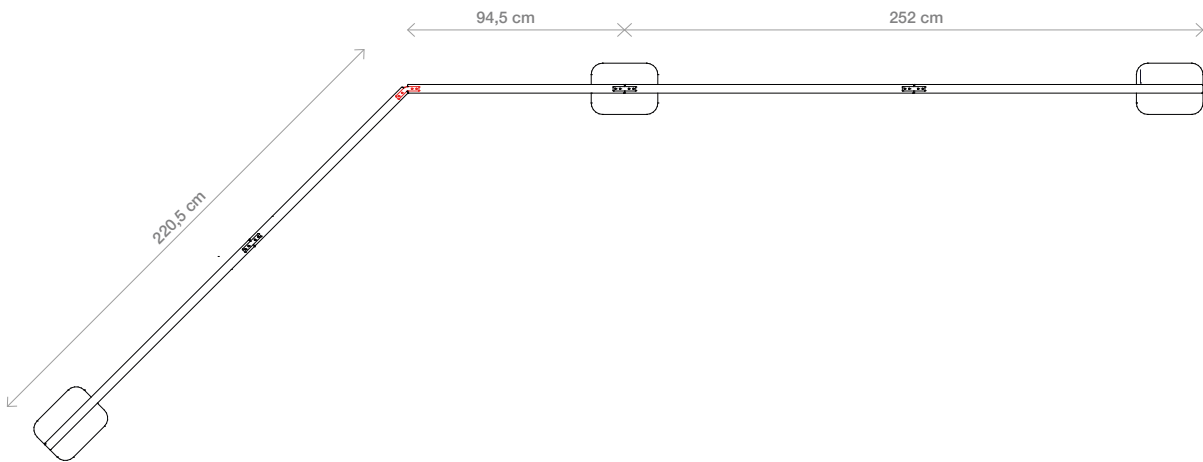
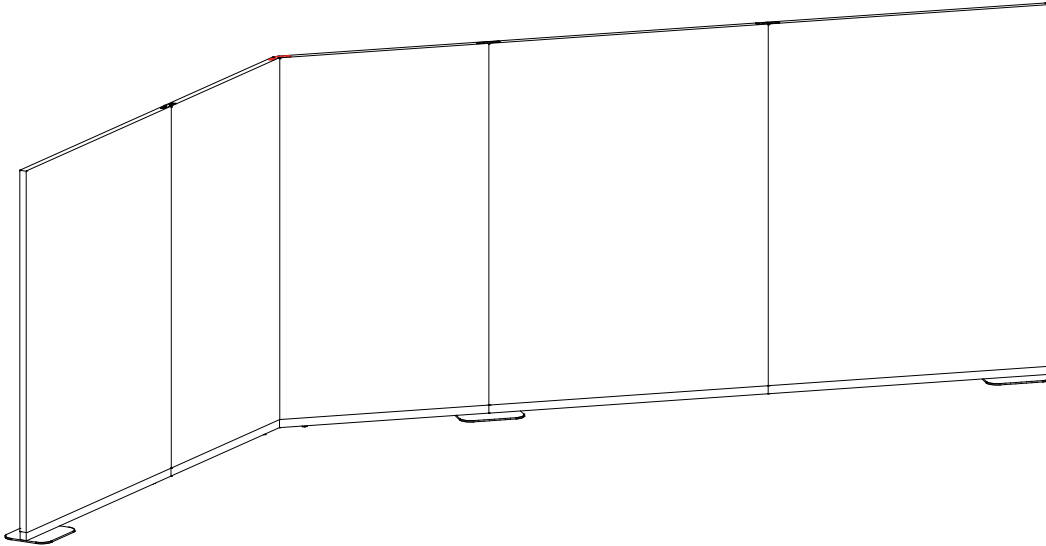
Art. 6427 - 3-way link for 120° arrangements, “Y”-shaped



## 135° layouts

### “V”-shaped, 2-way link

- Fix a single standard plate at the two ends of the panel (Art. 6430).
- As for stability, the “V”-shaped 2-way 135° link acts as a connection fixing plate.
- Distance between connection fixing plates (Art. 6429) and the previous and the following plate (or the “V”-shaped 2-way 135° link) must be lower than 300 cm.

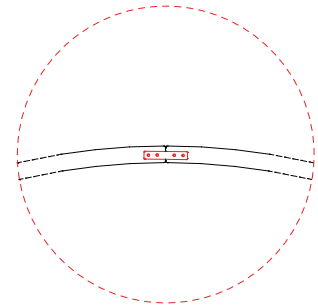
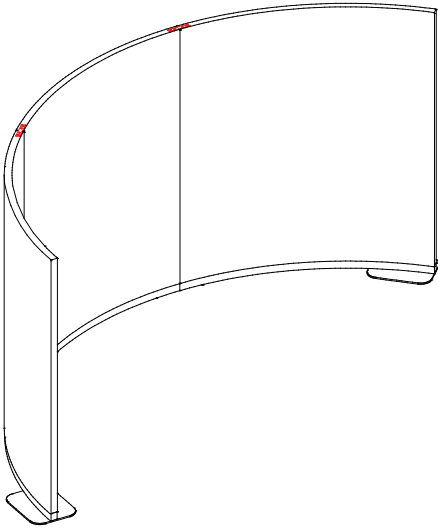


Art. 6425 - 2-way link for 135° arrangements, “V”-shaped

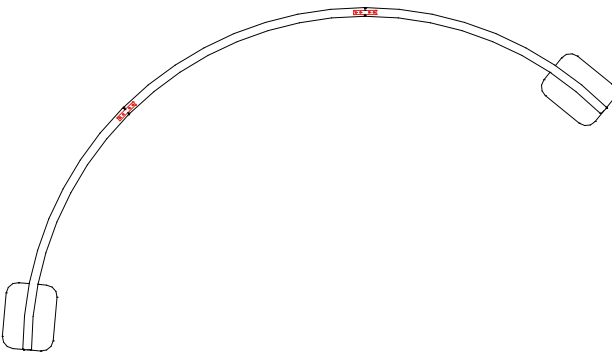
## Curved layouts

### With curved panels featuring the same radius

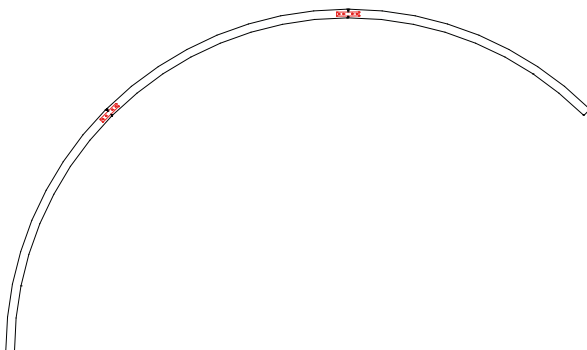
- In every curved layout, fix a single standard plate at the two ends (Art. 6430).
- No connection fixing plates are necessary with this layout (Art. 6429).



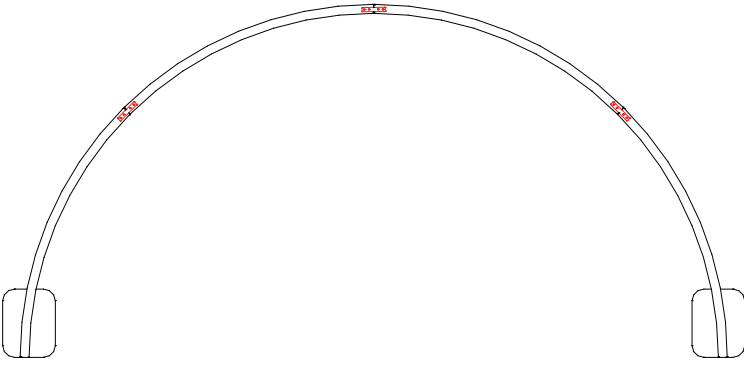
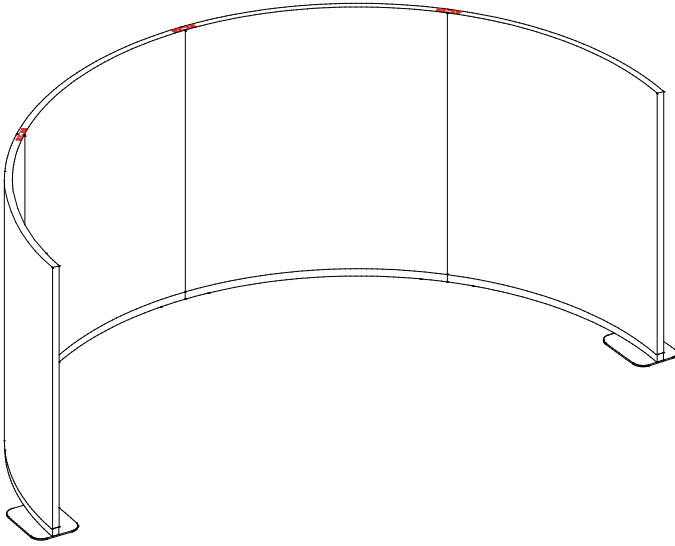
Art. 6431 - Kit for circular linking



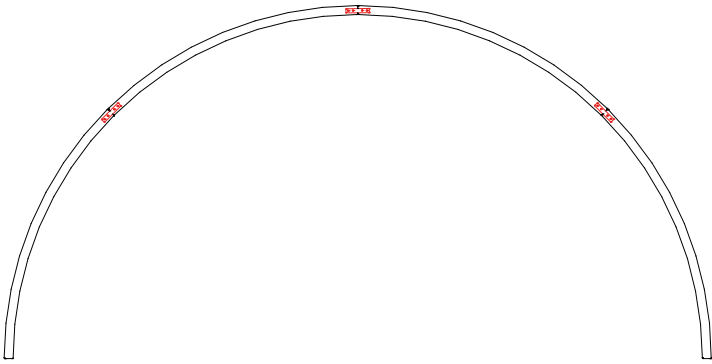
NO



# Paravan



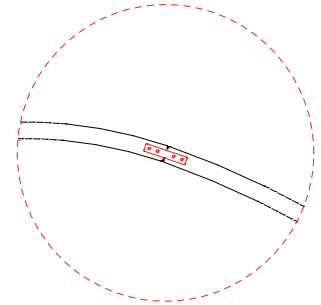
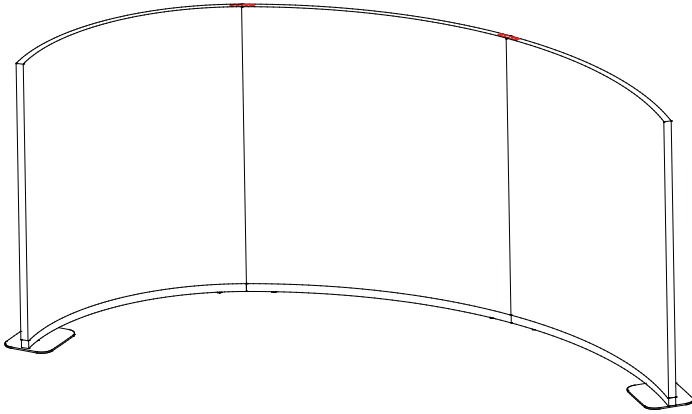
NO



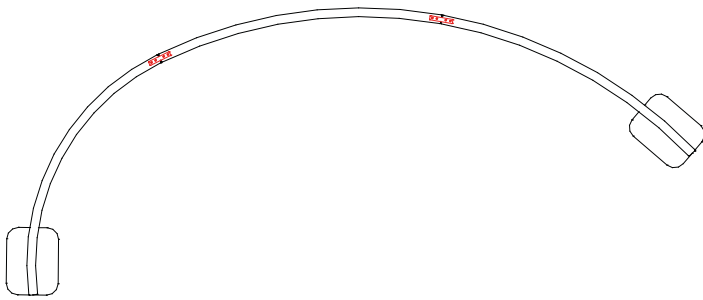
# Paravan

## With curved panels featuring different radius

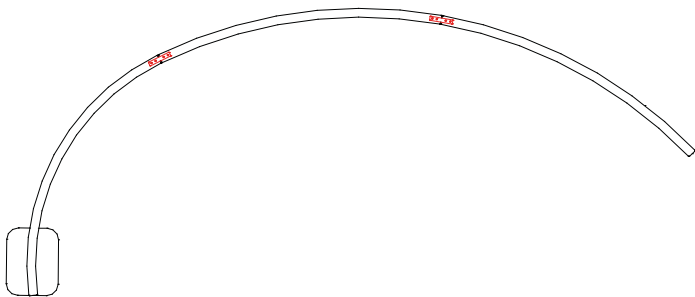
- In every curved layout, fix a single standard plate at the two ends (Art. 6430).
- No connection fixing plates are necessary with this layout (Art. 6429).



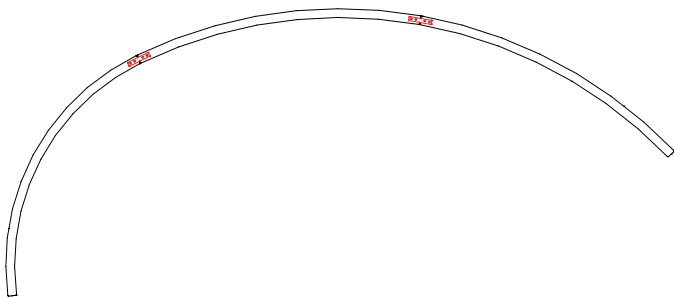
Art. 6431 - Kit for circular linking



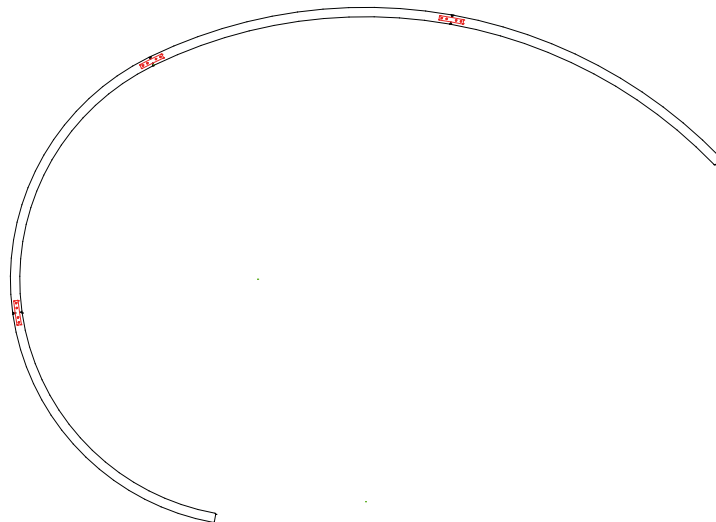
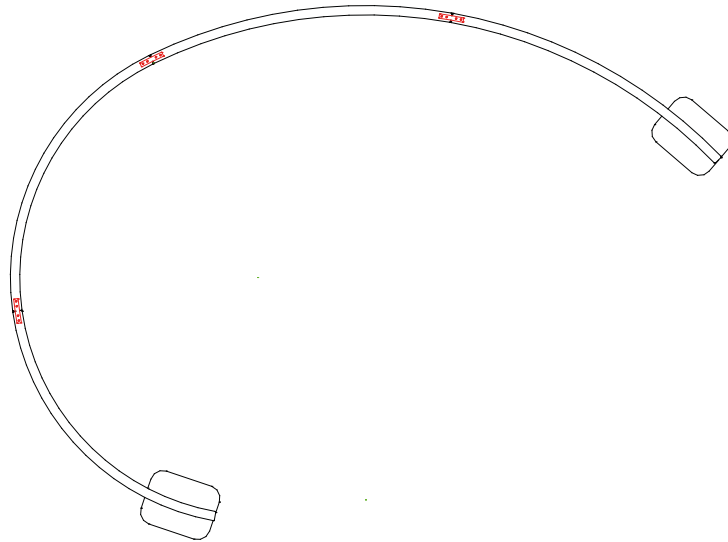
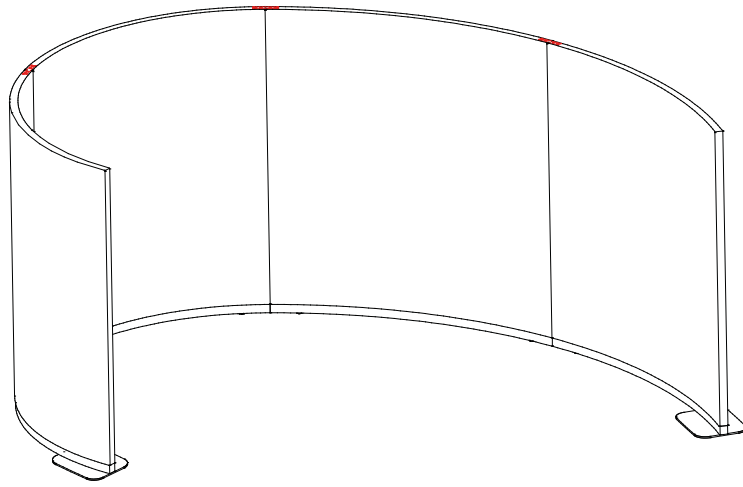
NO



NO



# Paravan

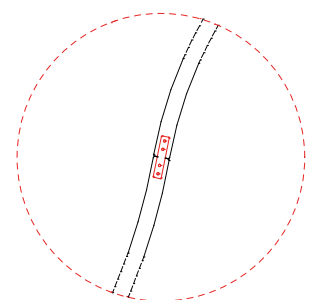
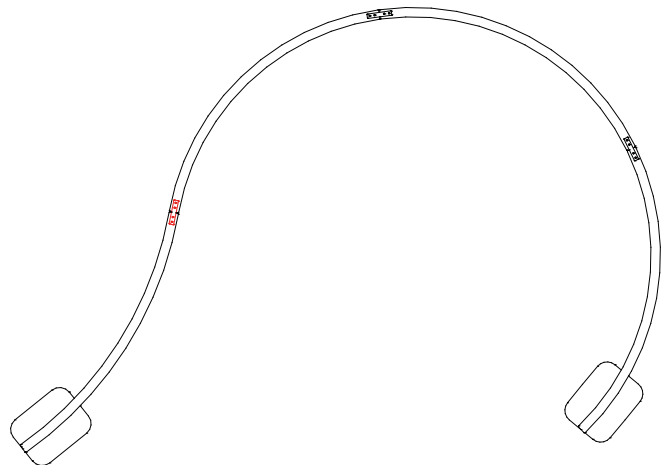
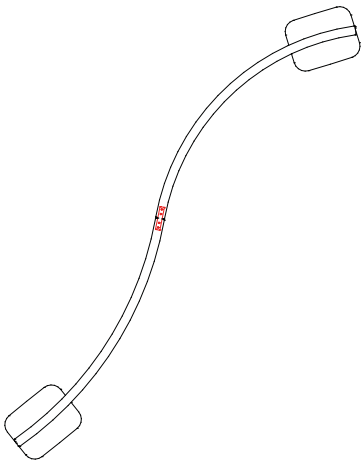
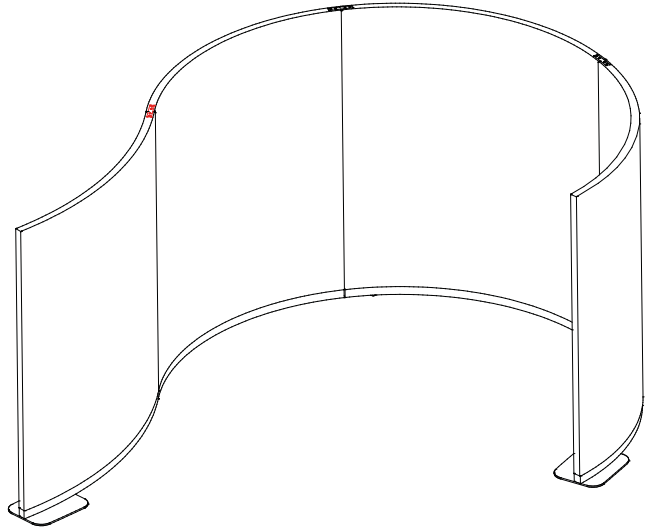
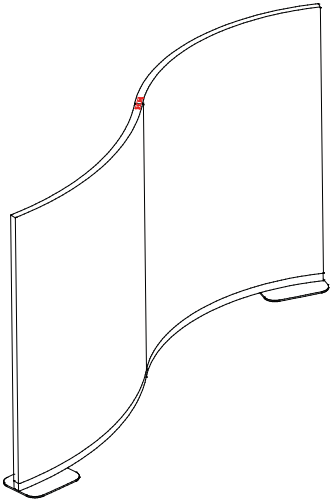


NO

# Paravan

## With inverted radius curved panels

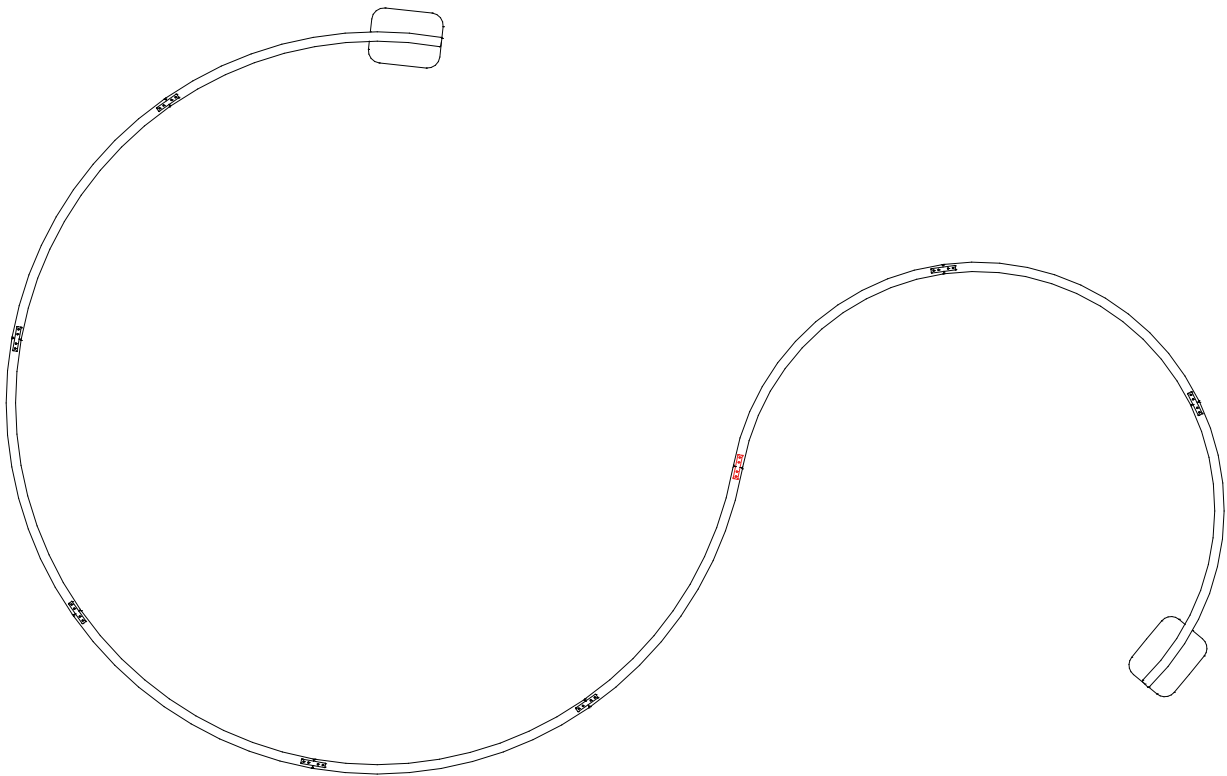
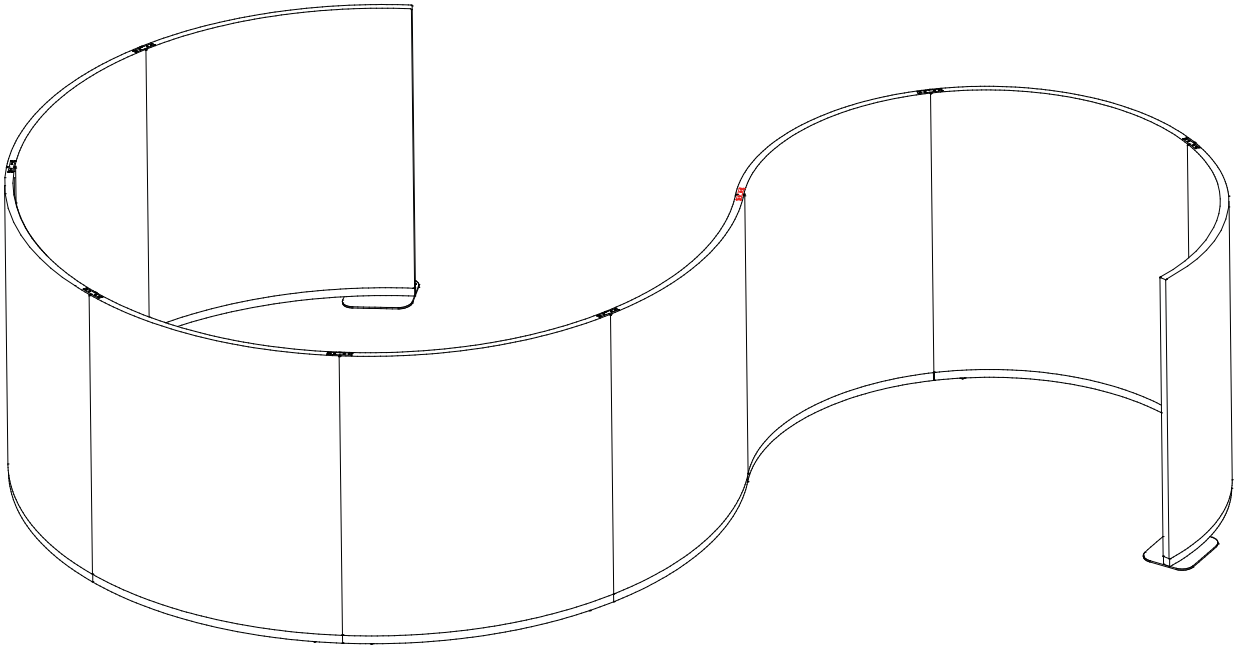
- In every curved layout, fix a single standard plate at the two ends (Art. 6430).
- No connection fixing plates are necessary with this layout (Art. 6429).



Art. 6423 - 2-way link for 180°  
arrangements, linear

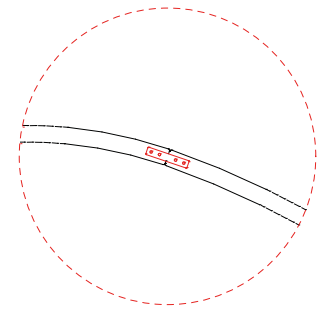
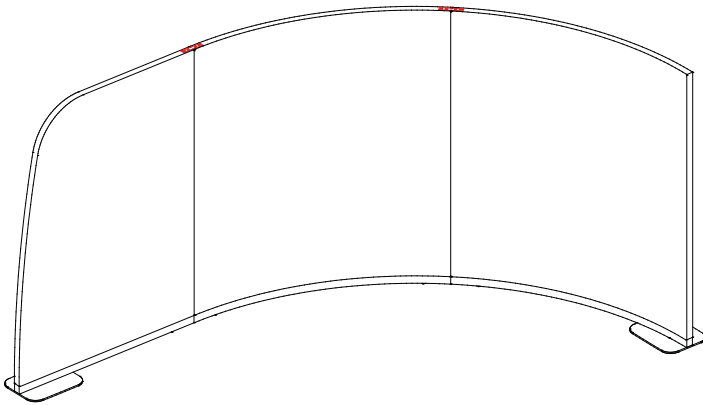


# Paravan

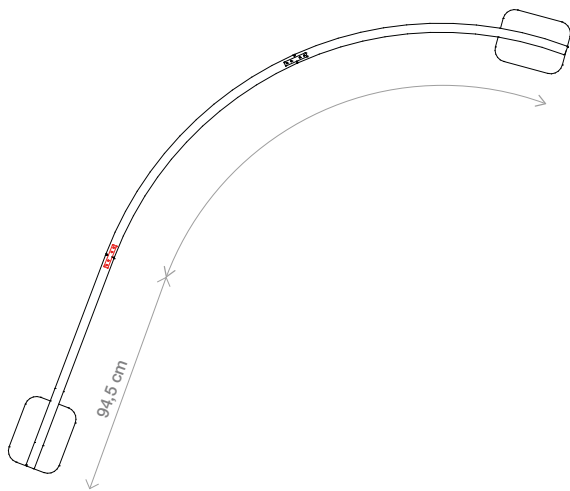


**With curved panels linked with linear panels**

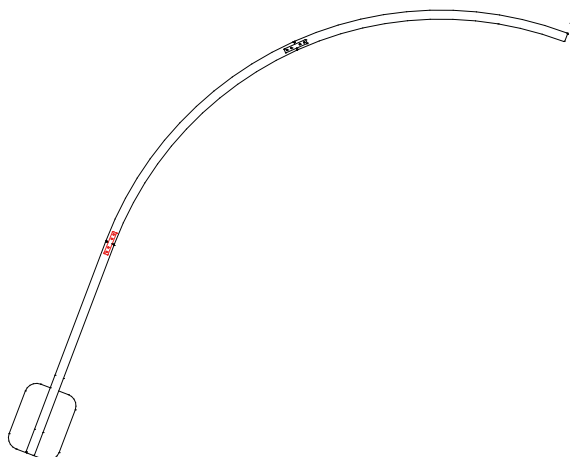
- Fix a single standard plate (Art. 6430) at the two ends of the panel layout.
- No connection fixing plates are required for layout sections with curved panels.
- Distance between the connection fixing plates (Art. 6429) of the linear part of the layout and the circular panel, as well as the distance between the previous and the following plate must be lower than 300 cm.



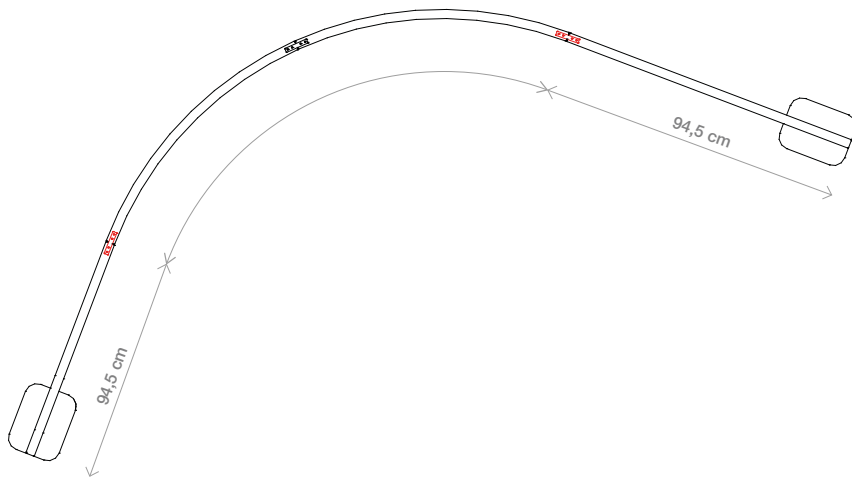
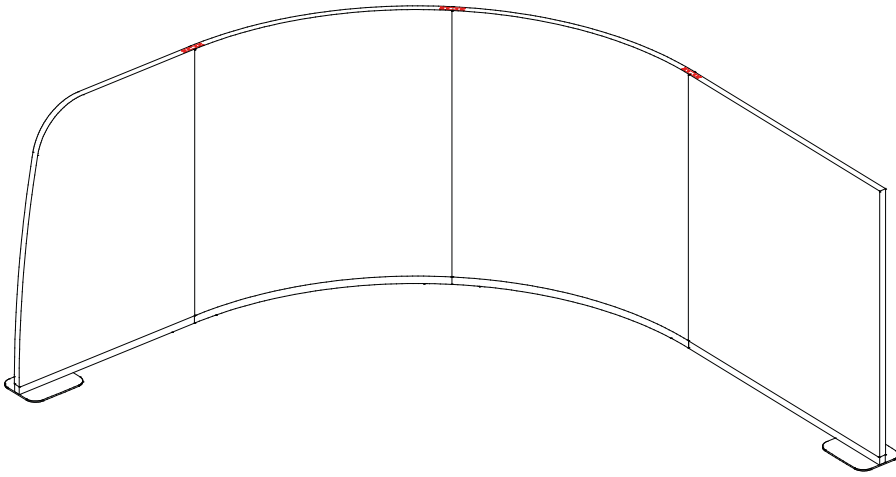
Art. 6423 - 2-way link for 180° arrangements, linear



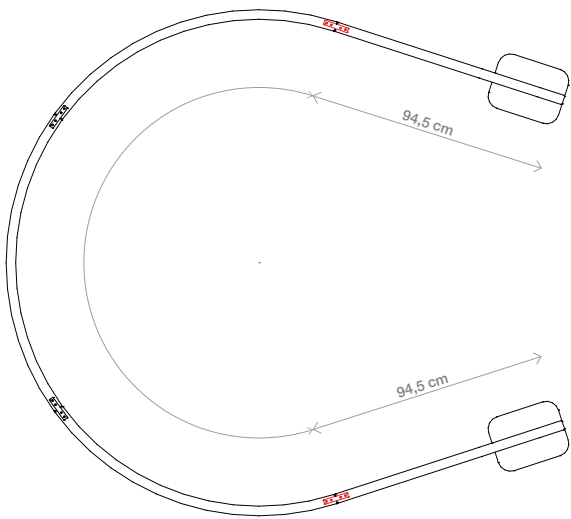
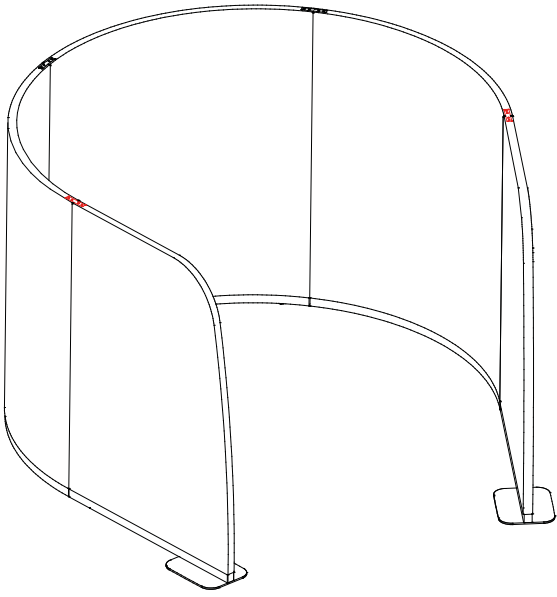
NO



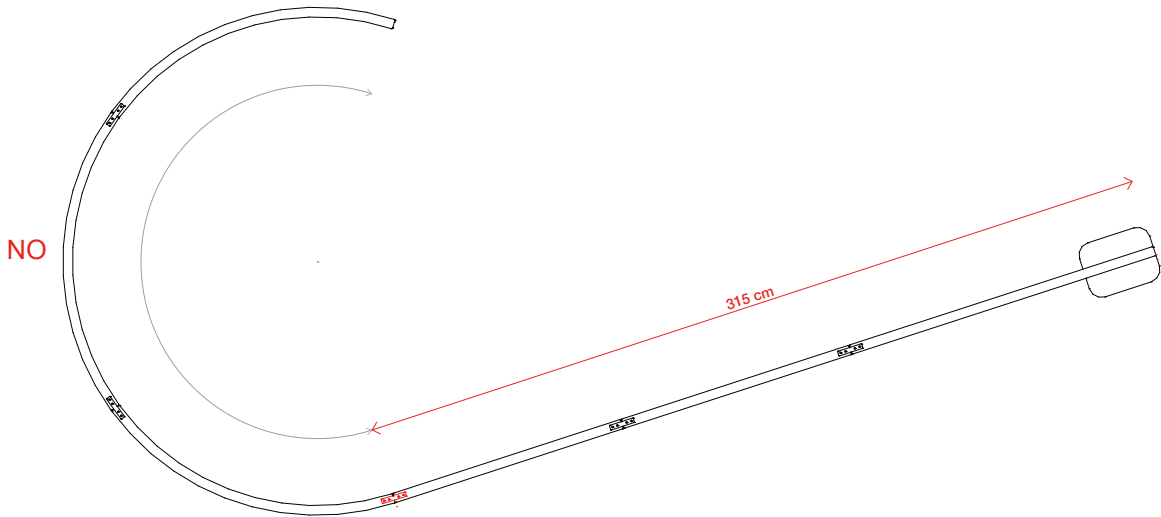
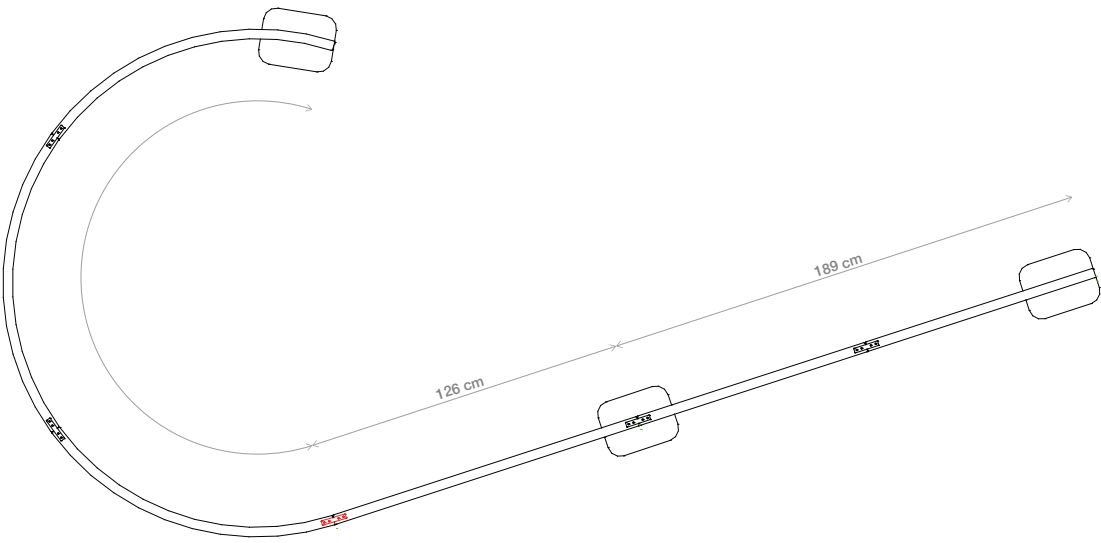
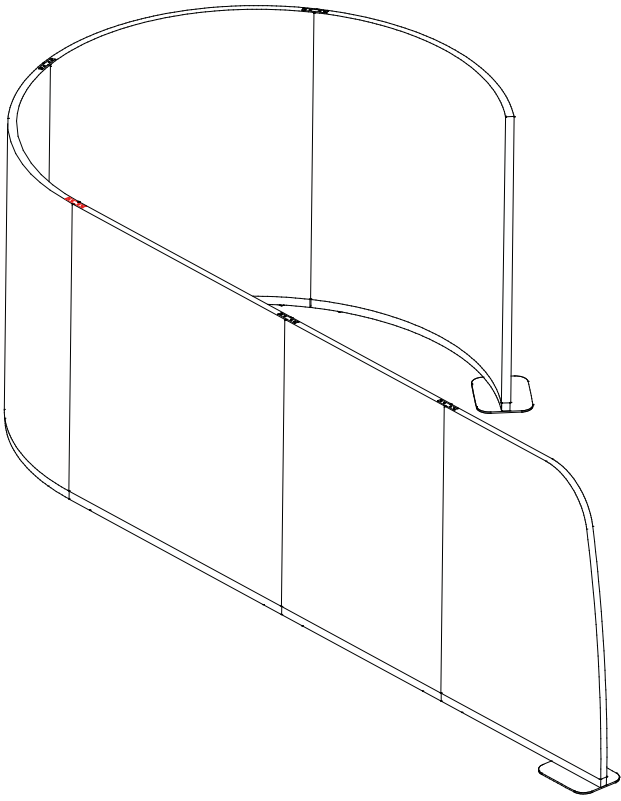
# Paravan



# Paravan



# Paravan



## Italy

Arper SPA  
Via Lombardia 16  
31050 Monastier di Treviso (TV)  
Italia  
T +39 0422 7918  
F +39 0422 791800  
info@arper.com  
www.arper.com

Commerciale Italia  
T +39 0422 791905  
F +39 0422 791900  
commerciale@arper.com

Export Office  
T +39 0422 791 907 / 902 / 904 / 905 / 906 /  
909 / 914 / 916 / 917 / 927 / 815 / 872  
F +39 0422 791900  
sales@arper.com

## Subsidiaries and Branches

### USA

Arper USA Inc.  
476 Broadway, Suite 2F  
NY 10013 New York  
T +1 (212) 647 8900  
infousa@arper.com

### UK

Arper UK LTD  
11 Clerkenwell Road  
London EC1M 5PA  
T +44 (0) 20 7253 0009  
london@arper.com

### Japan

Arper Japan K.K.  
HT Jingu Gaien Bldg.8F  
Minato-ku Kita-Aoyama 2-7-22  
Tokyo 107-0061  
T +81-3-5775-0008  
F +81-3-5775-0009  
carejpn@arper.com

### UAE

Arper Middle East  
U-Bora Towers - Unit 1901  
Business Bay  
Dubai  
T +971 509144800  
infome@arper.com

### Singapore

Arper SPA  
c/o 46 Kim Yam Road, #01-09  
The Herencia 239351  
Singapore  
T +65 98348127  
singapore@arper.com

### Sweden

Stockholm — Sweden  
Banérgatan 10  
Stockholm  
T +46 733 889090  
sweden@arper.com

## Showrooms

Amsterdam — The Netherlands  
Design Post  
Cruquiusweg 111-P  
1019 AG Amsterdam  
T +31 (0)20 705 1555  
showroom@beltane.nl

Chicago — USA  
The Merchandise Mart  
Space#339 - 3rd Floor  
Chicago  
T +1 (212) 647 8900 x1  
infousa@arper.com

Cologne — Germany  
Design Post Köln  
Deutz-Mülheimer-Str. 22a  
50679 Cologne  
T +49 221 690 650  
info@designpost.de

Dubai — UAE  
U-Bora Towers - Unit 1901  
Business Bay  
Dubai  
T +971 509144800  
infome@arper.com

London — UK  
11 Clerkenwell Road  
London EC1M 5PA  
T +44 (0) 20 7253 0009  
london@arper.com

Milan — Italy  
Via Pantano 30  
20122 Milan  
T +39 02 89093865  
milano@arper.com

Monastier — Italy  
Arper SPA  
Via Lombardia 16  
31050 Monastier di Treviso (TV)  
Italia  
T +39 0422 7918  
F +39 0422 791800  
info@arper.com

New York — USA  
476 Broadway, Suite 2F  
PO Box 1683  
NY 10013 New York  
T +1 (212) 647 8900  
infousa@arper.com

Oslo — Norway  
Drammensveien 130  
0277 Oslo  
M +46 705 101216  
norway@arper.com

Stockholm — Sweden  
Banérgatan 10  
Stockholm  
T +46 733 889090  
sweden@arper.com

Tokyo — Japan  
HT Jingu Gaien Bldg.8F  
Minato-ku Kita-Aoyama 2-7-22  
Tokyo 107-0061  
T +81-3-5775-0008  
carejpn@arper.com

## Meeting Hubs

### Belgium

Sint-Jorisstraat 82,  
8730 Beernem  
T +32 50 705960  
belgium@arper.com

### Germany

Fruchtof München  
2. Innenhof, 2. Etage  
Gotzinger Straße 52b  
D-81371 München  
T +49 171 5548178  
muenchen@arper.com

**arper**