

# BuzziFix

**Thin F L | L-Plus | XL**

**Thin Y L | L-Plus | XL**

**Thin U**

**Thin Twin Light**

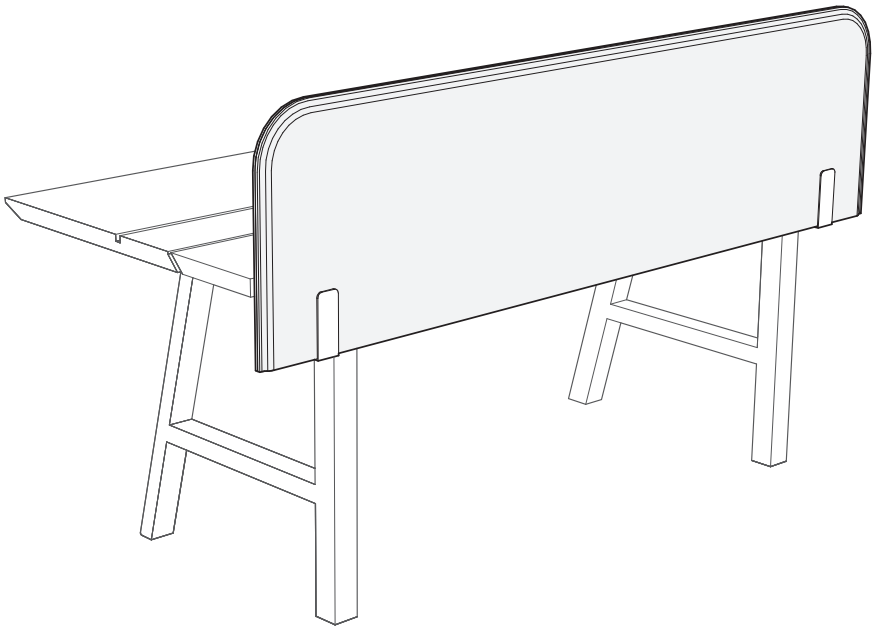
**Thin Foot**

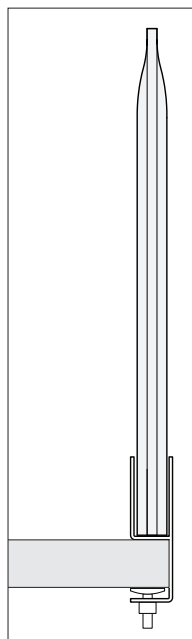
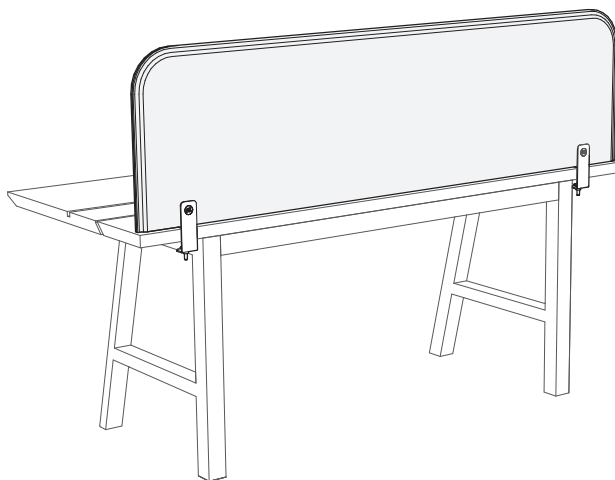
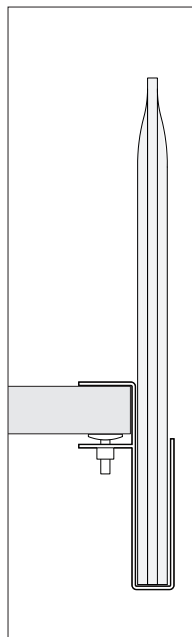
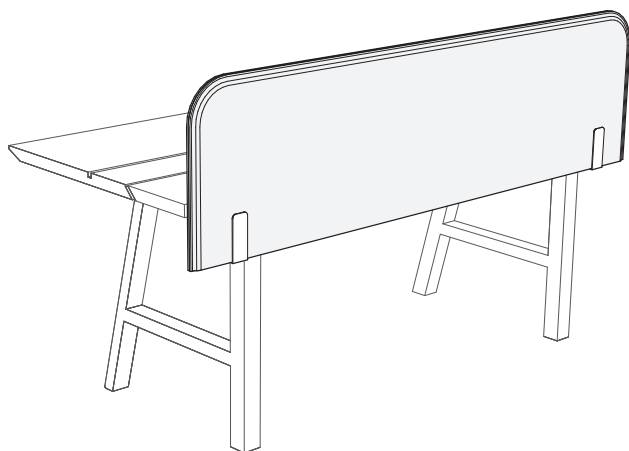
**Bold L | L-Plus | XL**

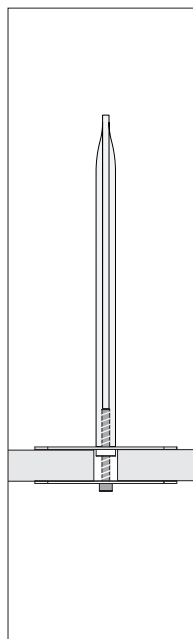
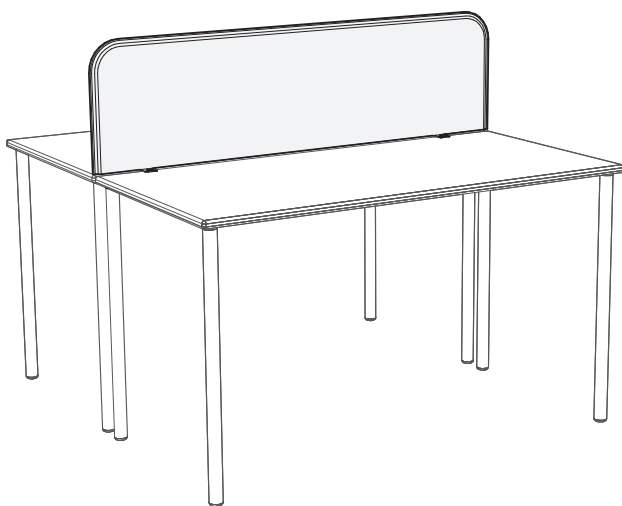
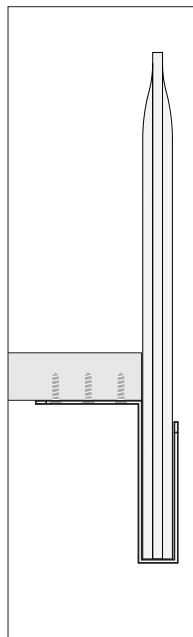
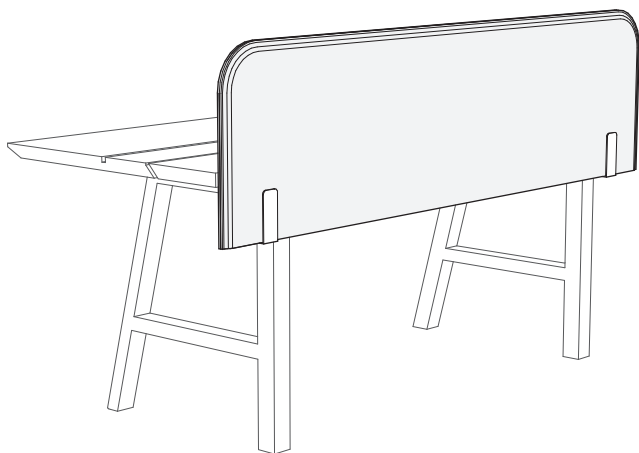
**Bold Twin**

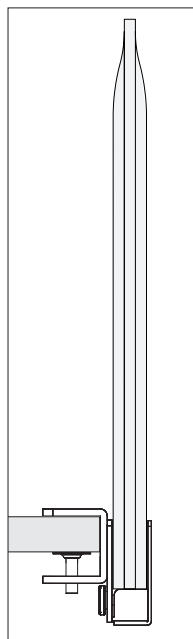
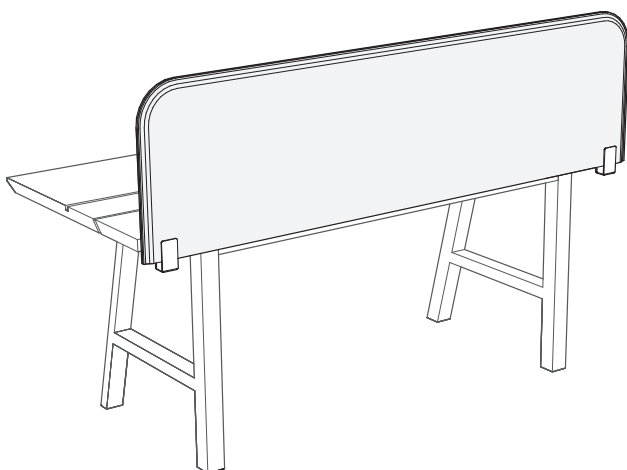
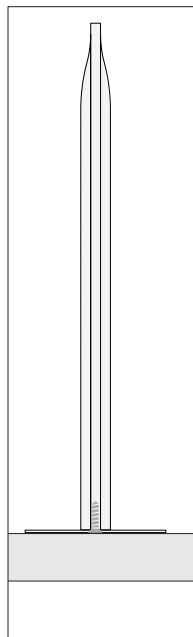
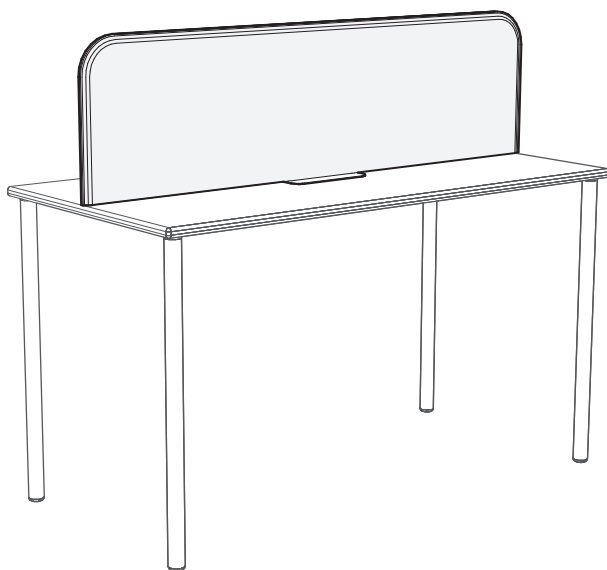
**Magnet**

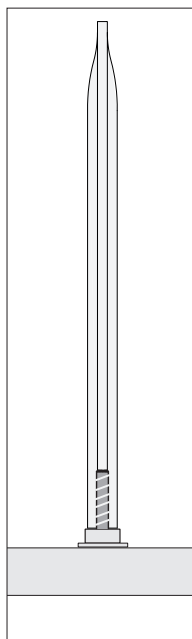
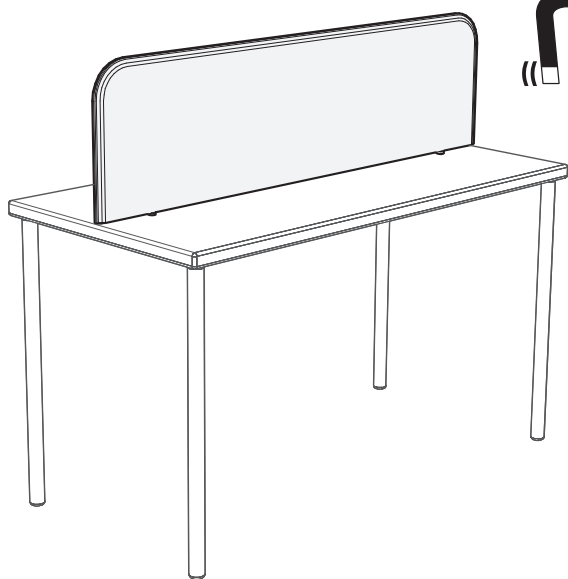
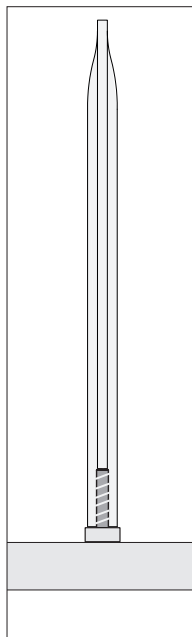
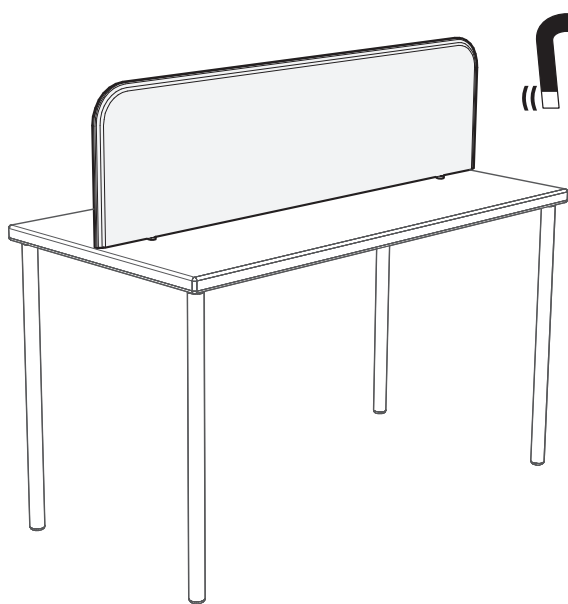
INSTALLATION MANUAL



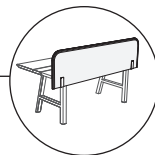








**BuzziFix Thin F L | L-Plus | XL**



1 PERS. 

**Excl.**

---

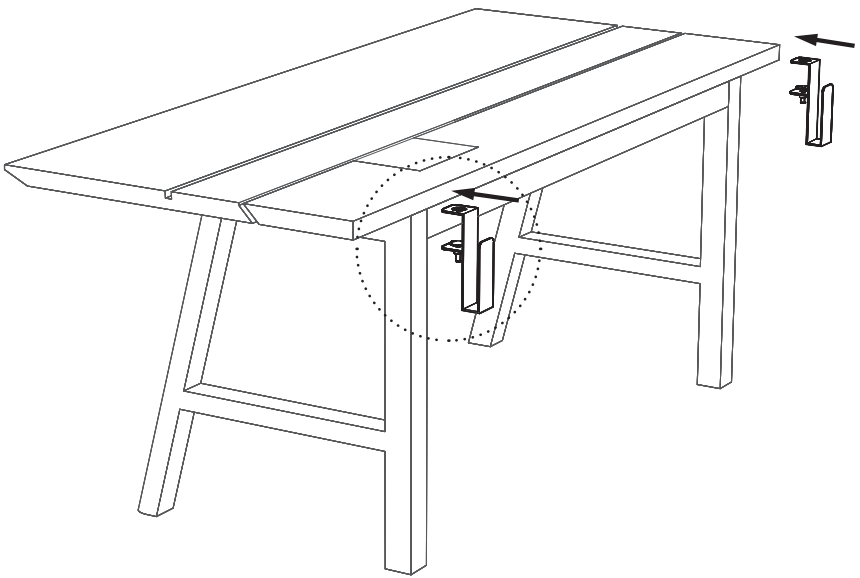
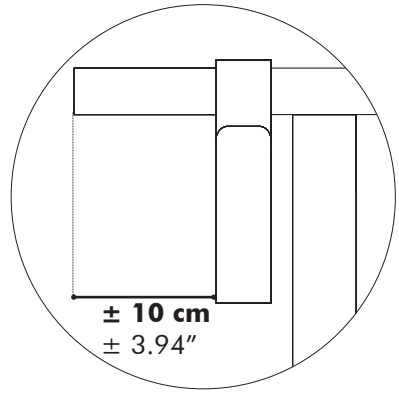


**Incl.**

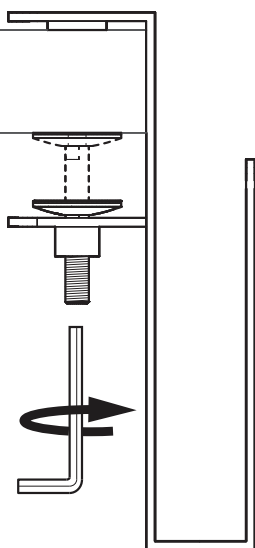
---



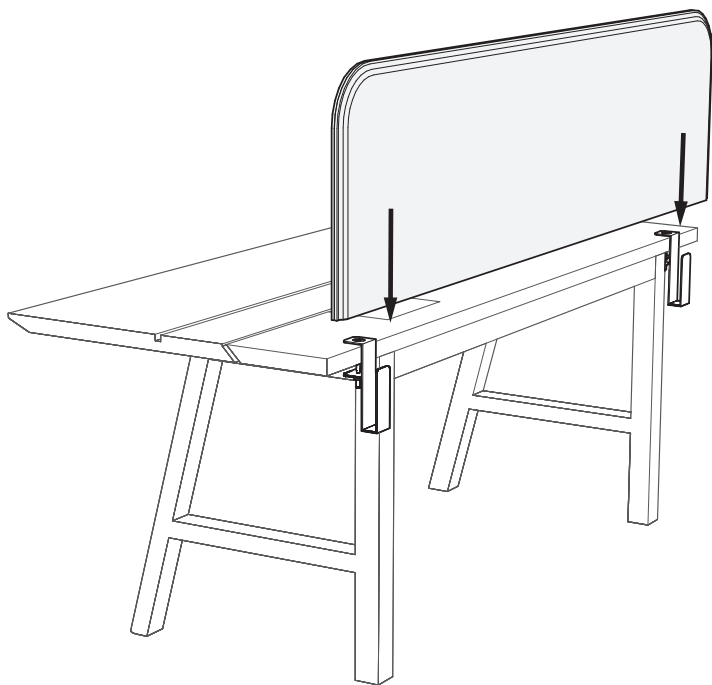
1



**2**



**3**





# BuzziFix Thin Y L | L-Plus | XL



1 PERS.

**Excl.**

---

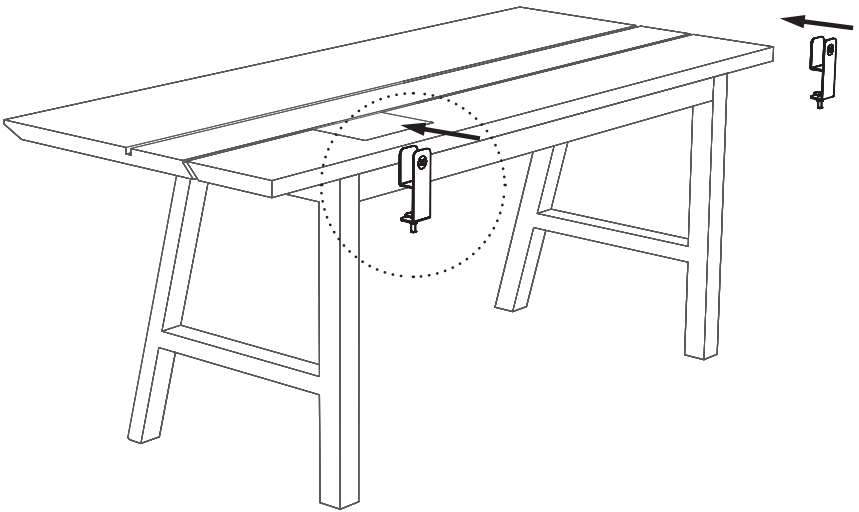
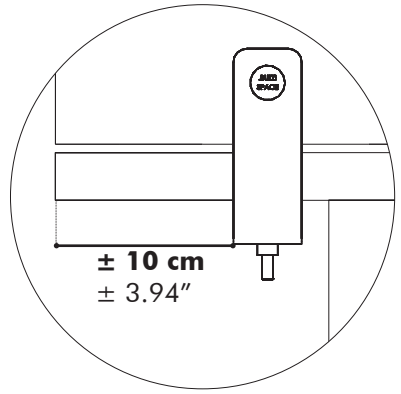


**Incl.**

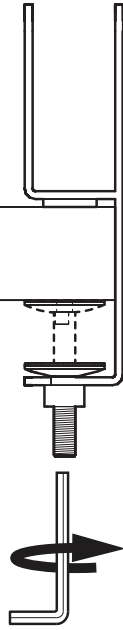
---



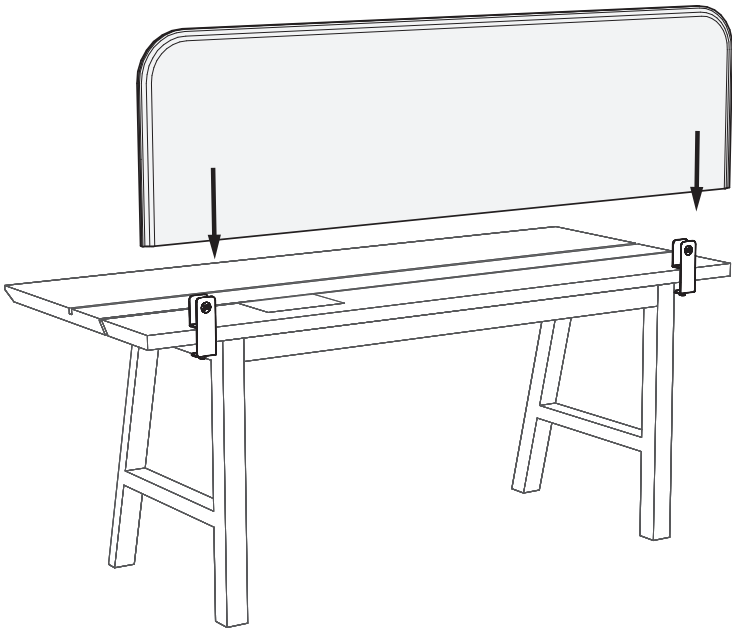
1



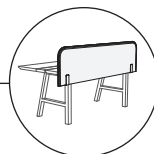
**2**



**3**



# BuzziFix Thin U



1 PERS. 

## Excl.

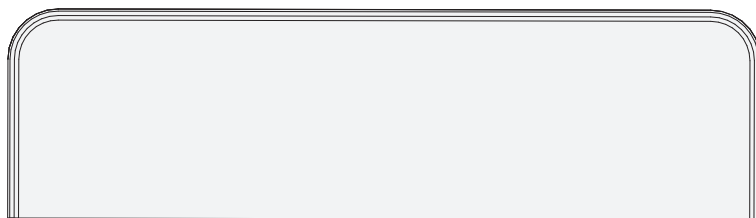
---



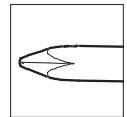
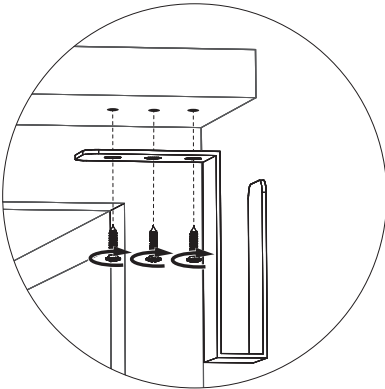
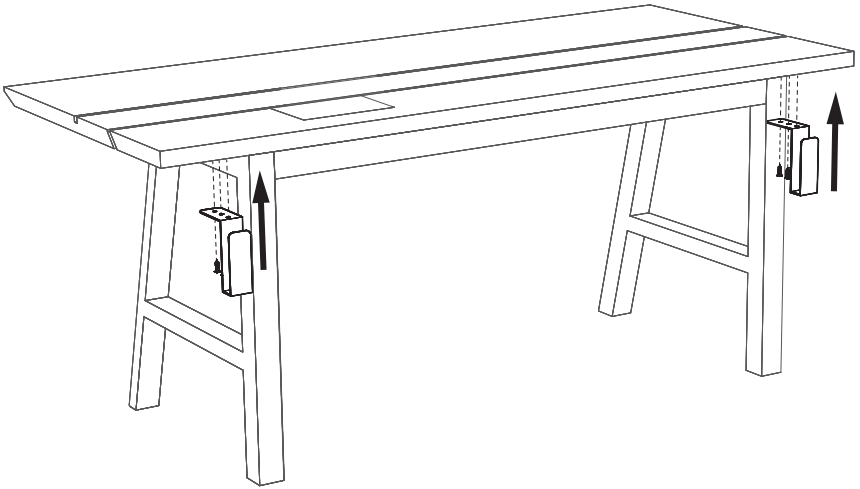
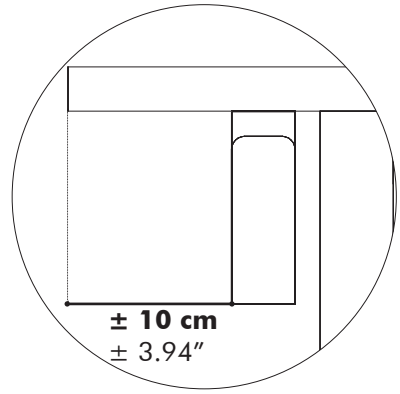
3x   $\varnothing$  8mm  
 $\varnothing$  0.31"

## Incl.

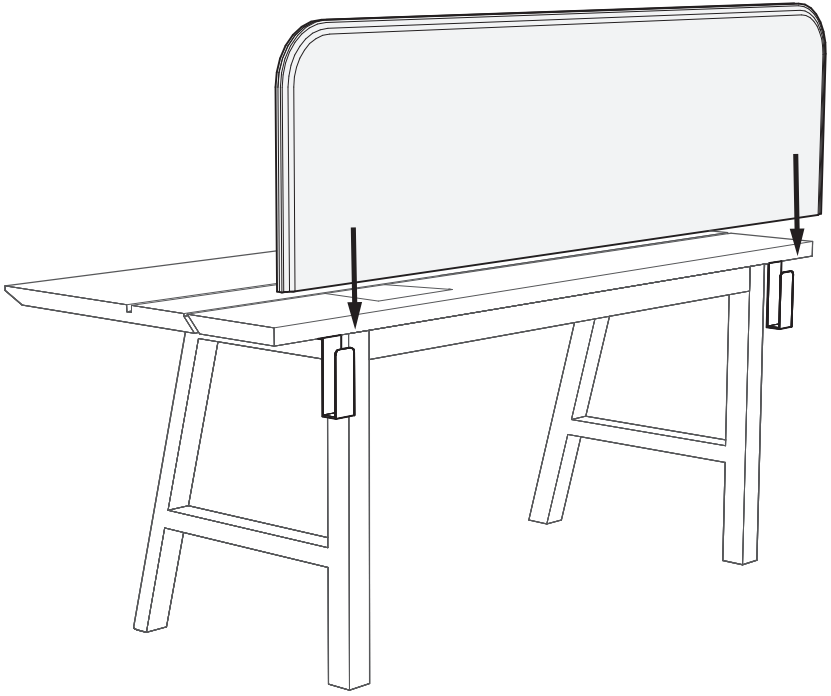
---



1



**2**



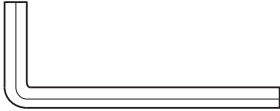
**BuzziFix Thin Twin Light | Bold Twin**



1 PERS. 

**Excl.**

---

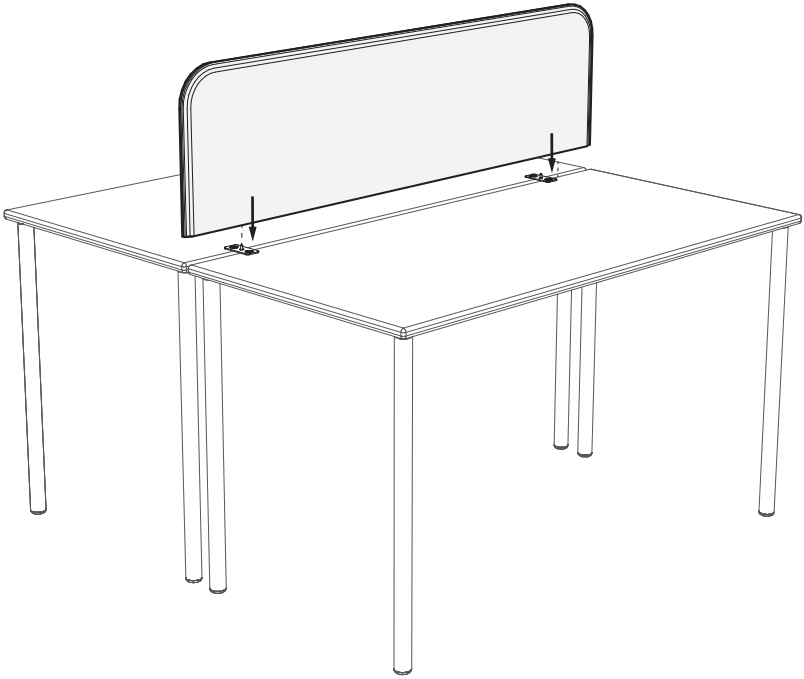
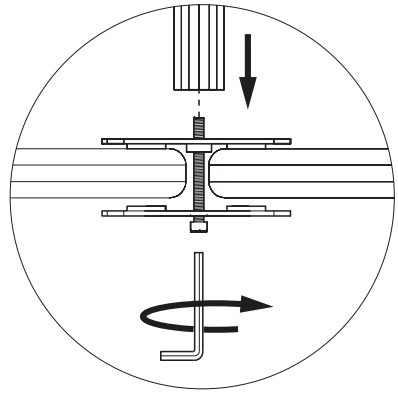


**Incl.**

---

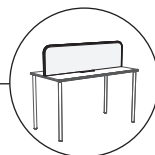


1





# BuzziFix Thin Foot



1 PERS. 

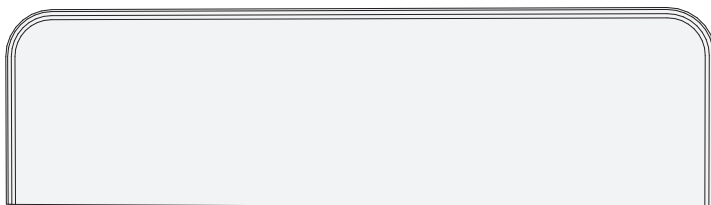
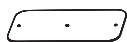
**Excl.**

---

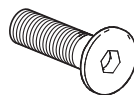


**Incl.**

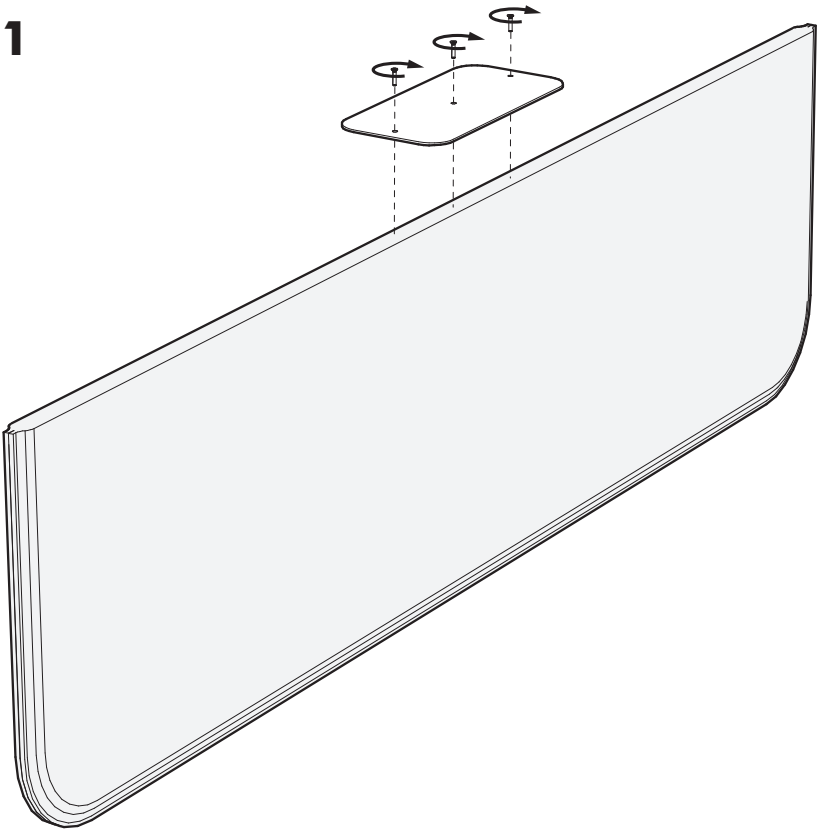
---



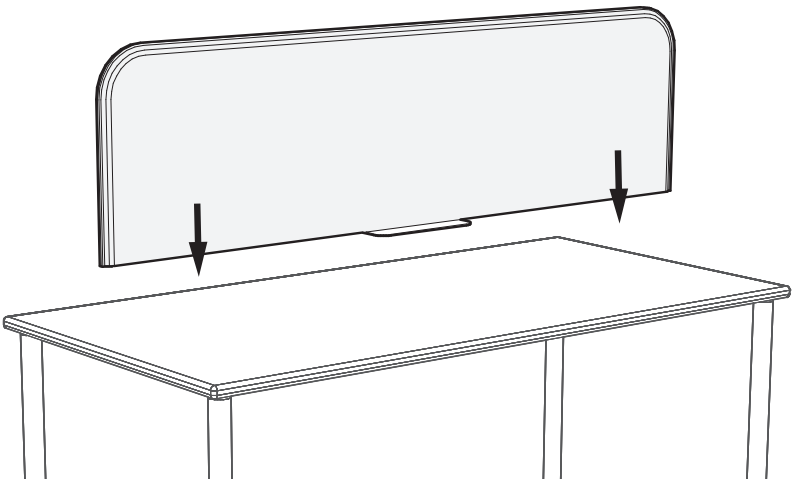
3x



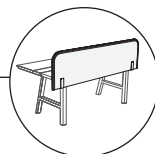
**1**



**2**



**BuzziFix Bold L | L-Plus | XL**



1 PERS. 

**Excl.**

---

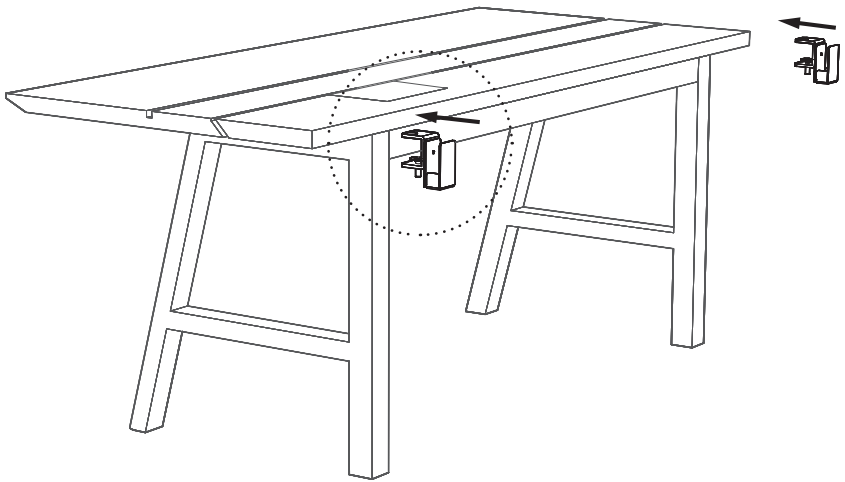
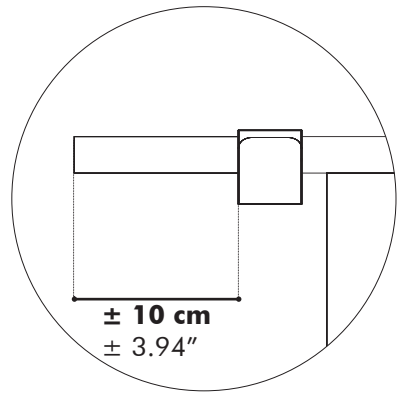


**Incl.**

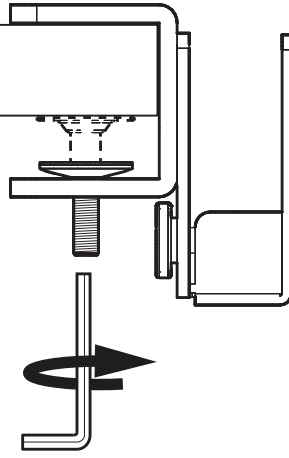
---



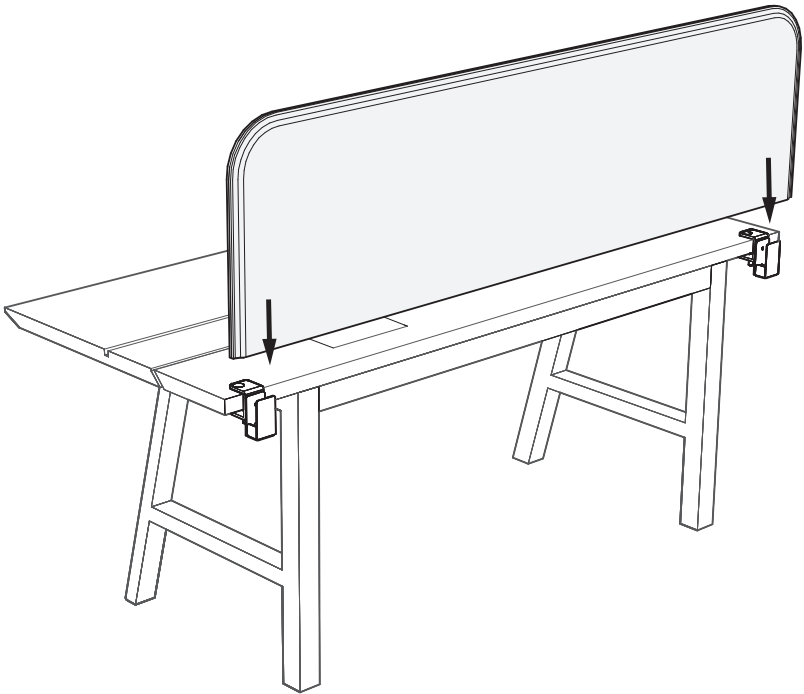
**1**



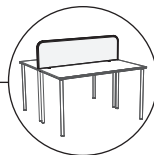
**2**



**3**



# BuzziFix Magnet



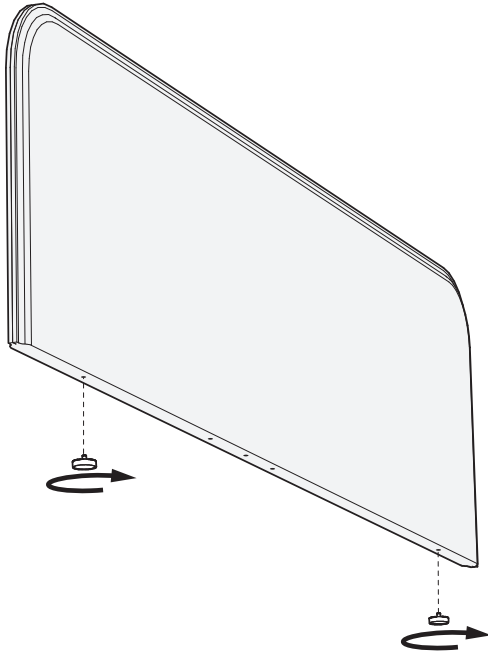
1 PERS. 

**Incl.**

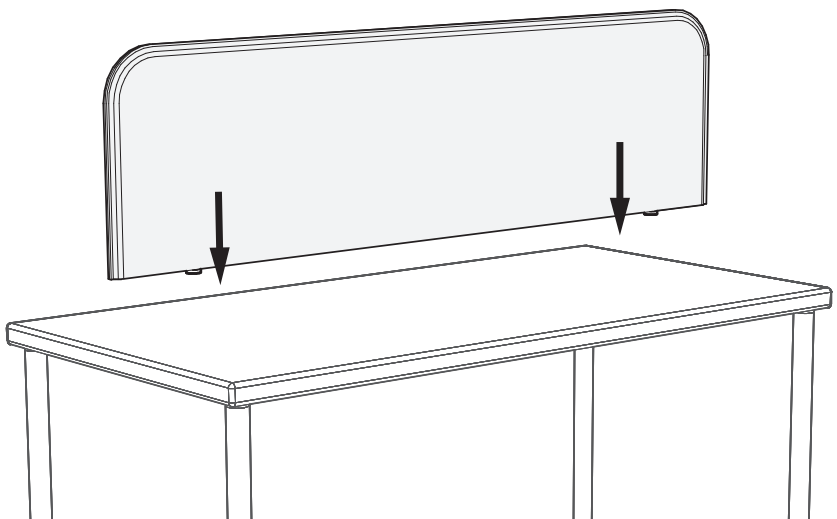
---



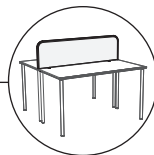
**1**



**2**



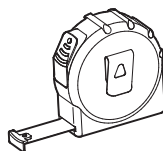
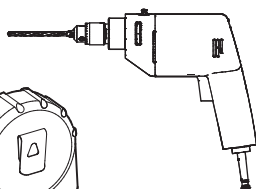
# BuzziFix Magnet + Optional mounting plate



1 PERS.

## Excl.

2x

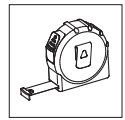
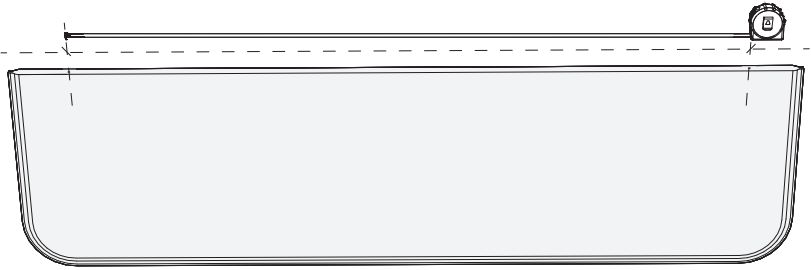


## Incl.

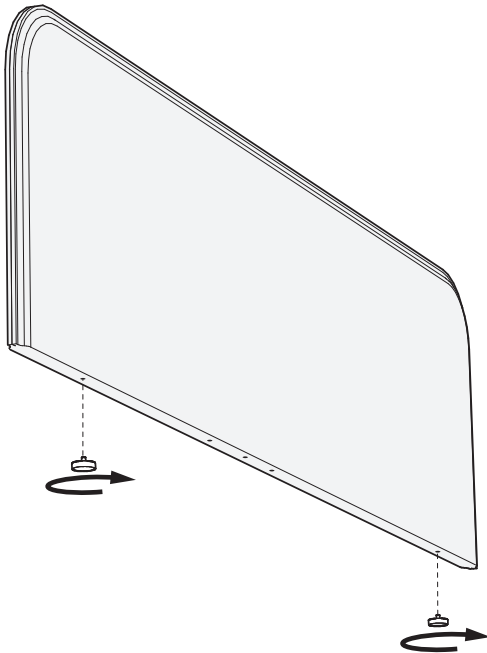




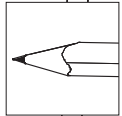
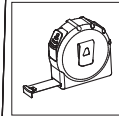
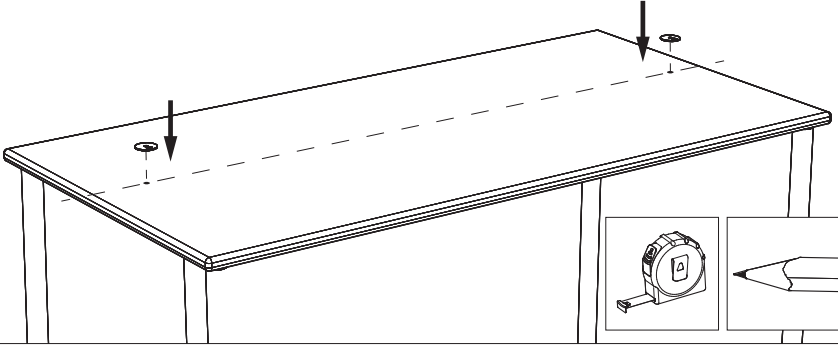
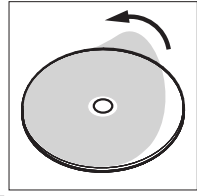
**1**



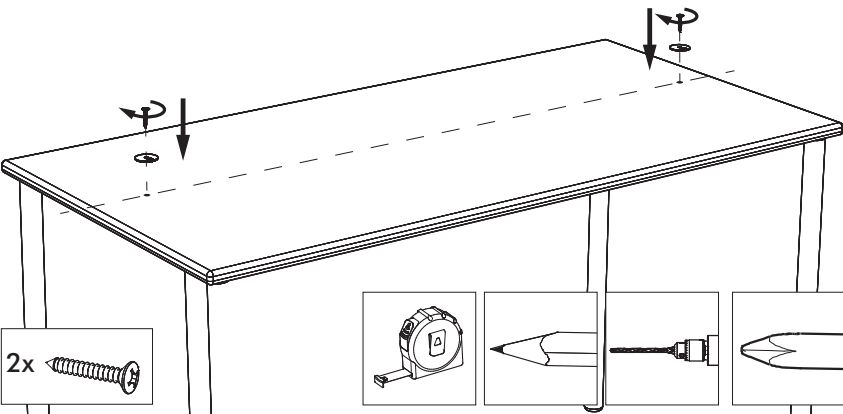
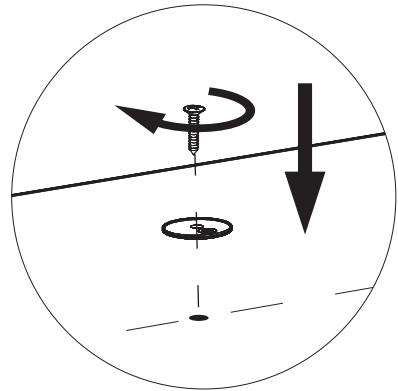
**2**



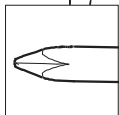
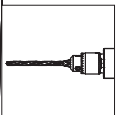
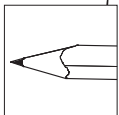
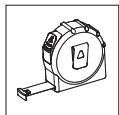
**3a**



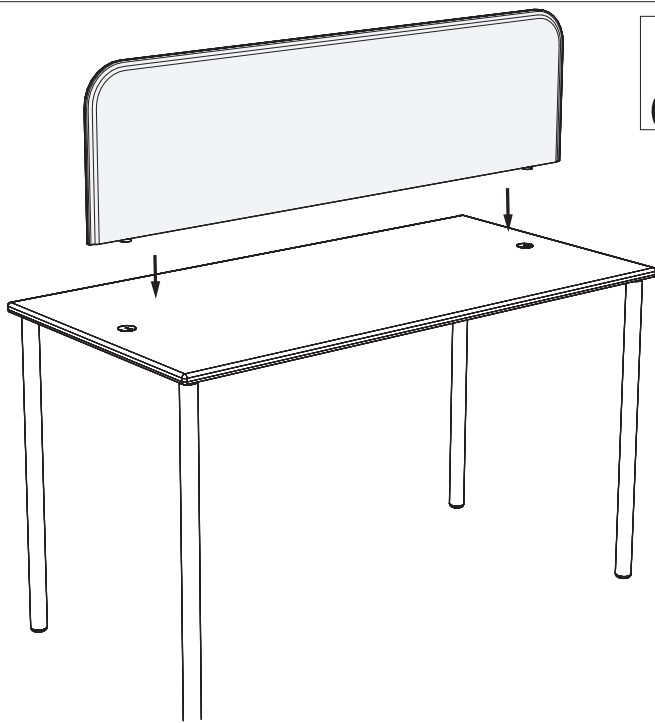
**3b**



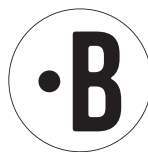
2x 



4



BuzziSpace  
Groeningenlei 141  
2550 Antwerp, Kontich  
Belgium  
☎ +32 (0)3 846 10 00  
✉ [info@buzzi.space](mailto:info@buzzi.space)  
🌐 [www.buzzi.space](http://www.buzzi.space)



Doc nr.: A-0000001897  
Last update: 25/09/2017