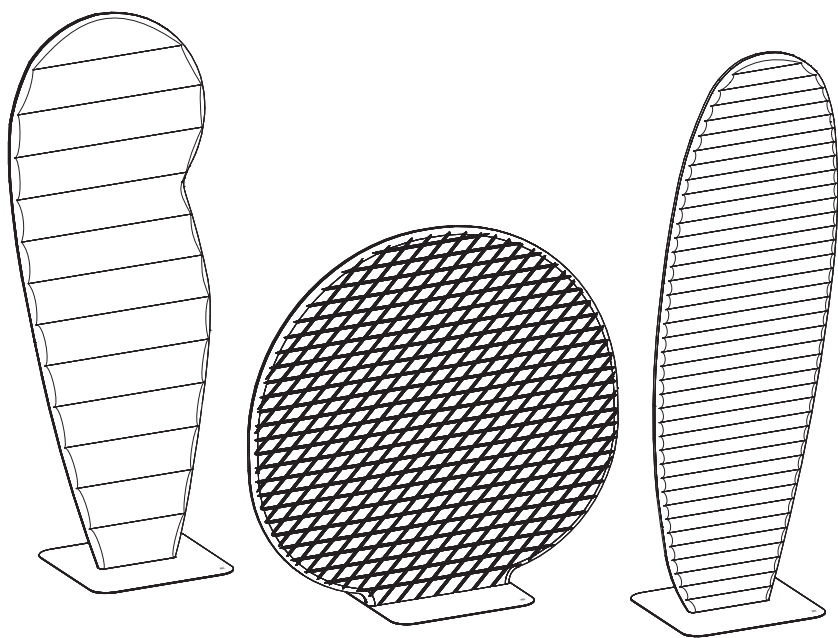


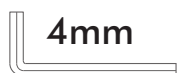
BuzziPlant

Doldi | Mobi | Surf

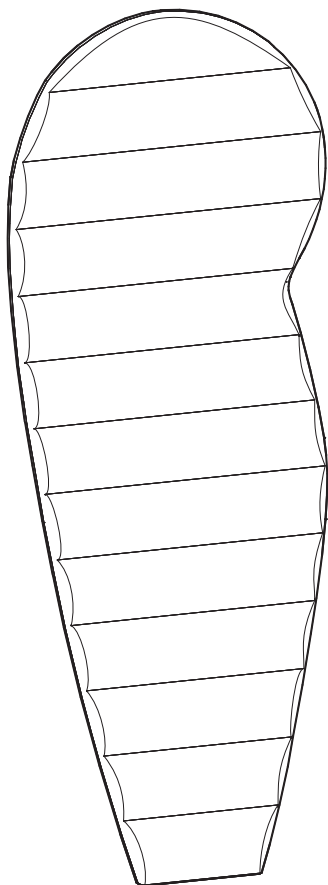
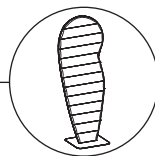
INSTALLATION MANUAL



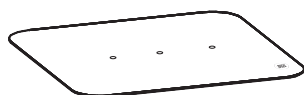
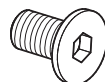
Excl.



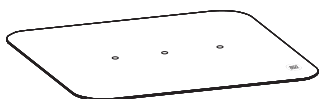
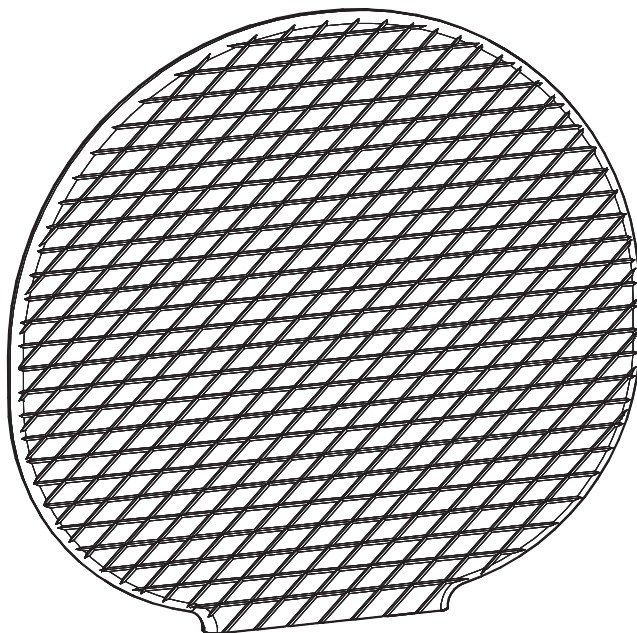
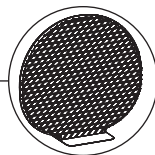
Incl. BuzziPlant Doldi



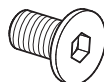
3x



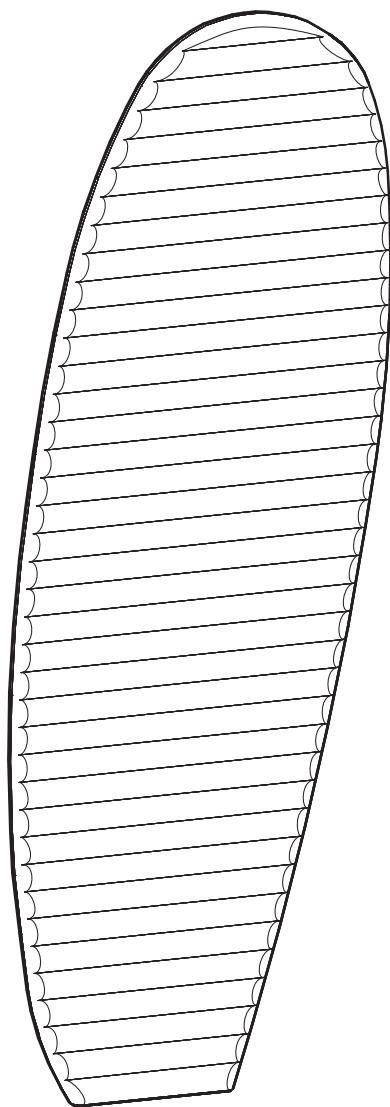
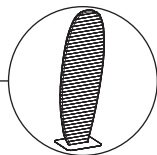
Incl. BuzziPlant Mobi



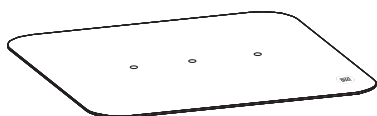
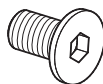
3x



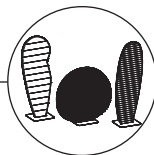
Incl. BuzziPlant Surf



3x

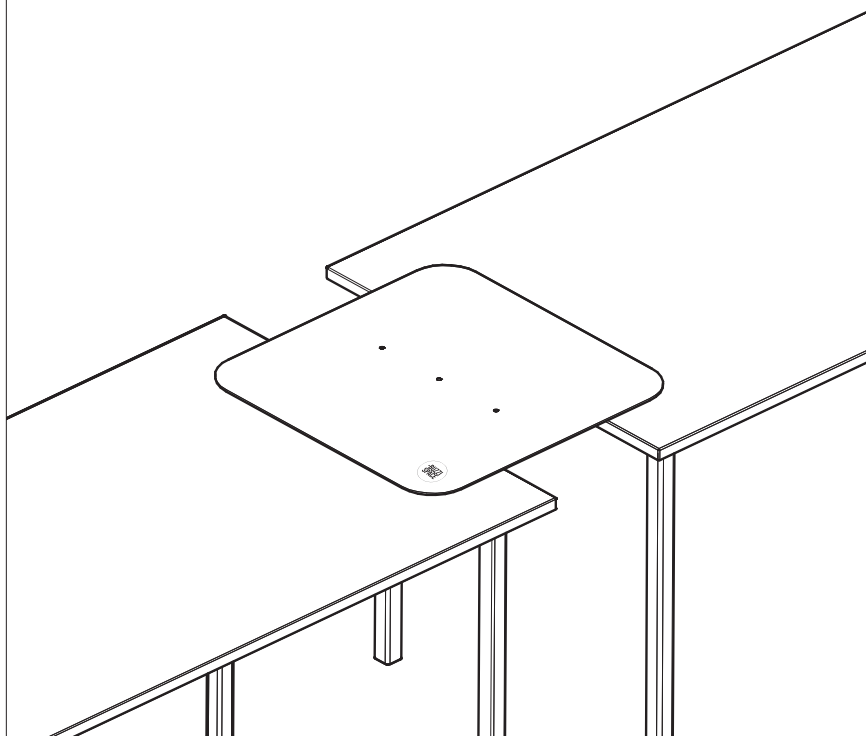
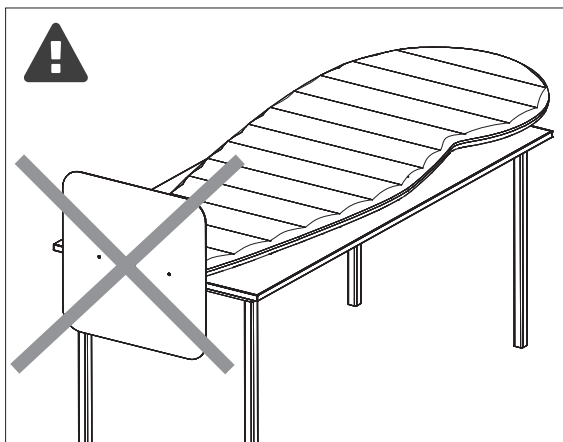


BuzziPlant Doldi | Mobi | Surf

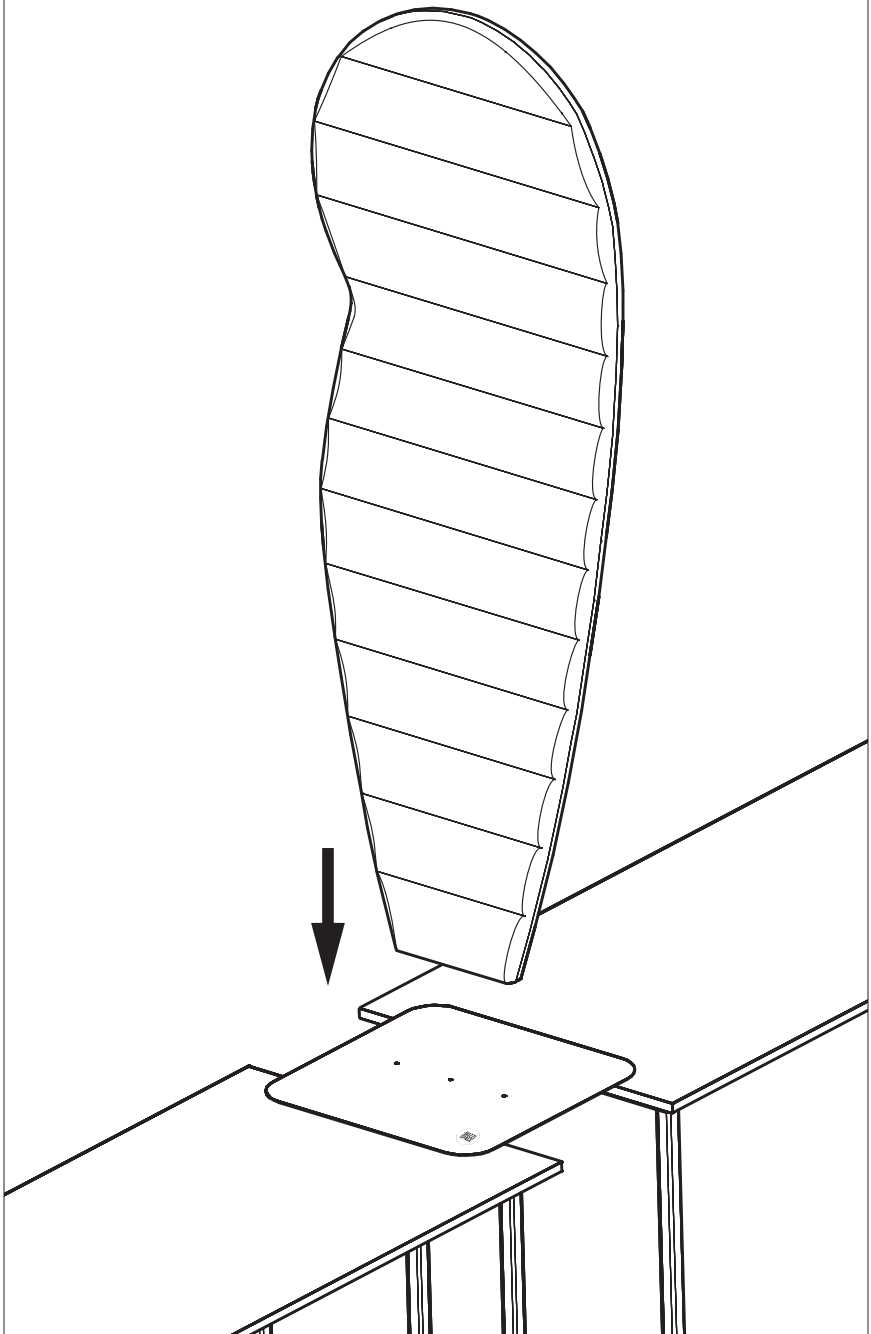


2 PERS.

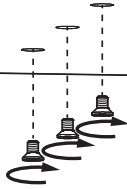
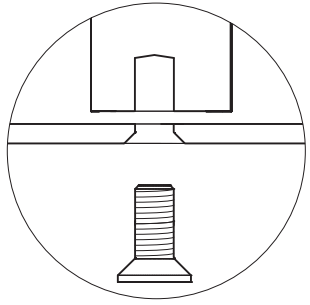
1



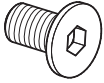
2



3



3X



4mm

BuzziSpace
Groeningenlei 141
2550 Antwerp, Kontich
Belgium
☎ +32 (0)3 846 10 00
✉ info@buzzi.space
🌐 www.buzzi.space



Doc nr.: A-0000001570
Last update: 16/08/2016