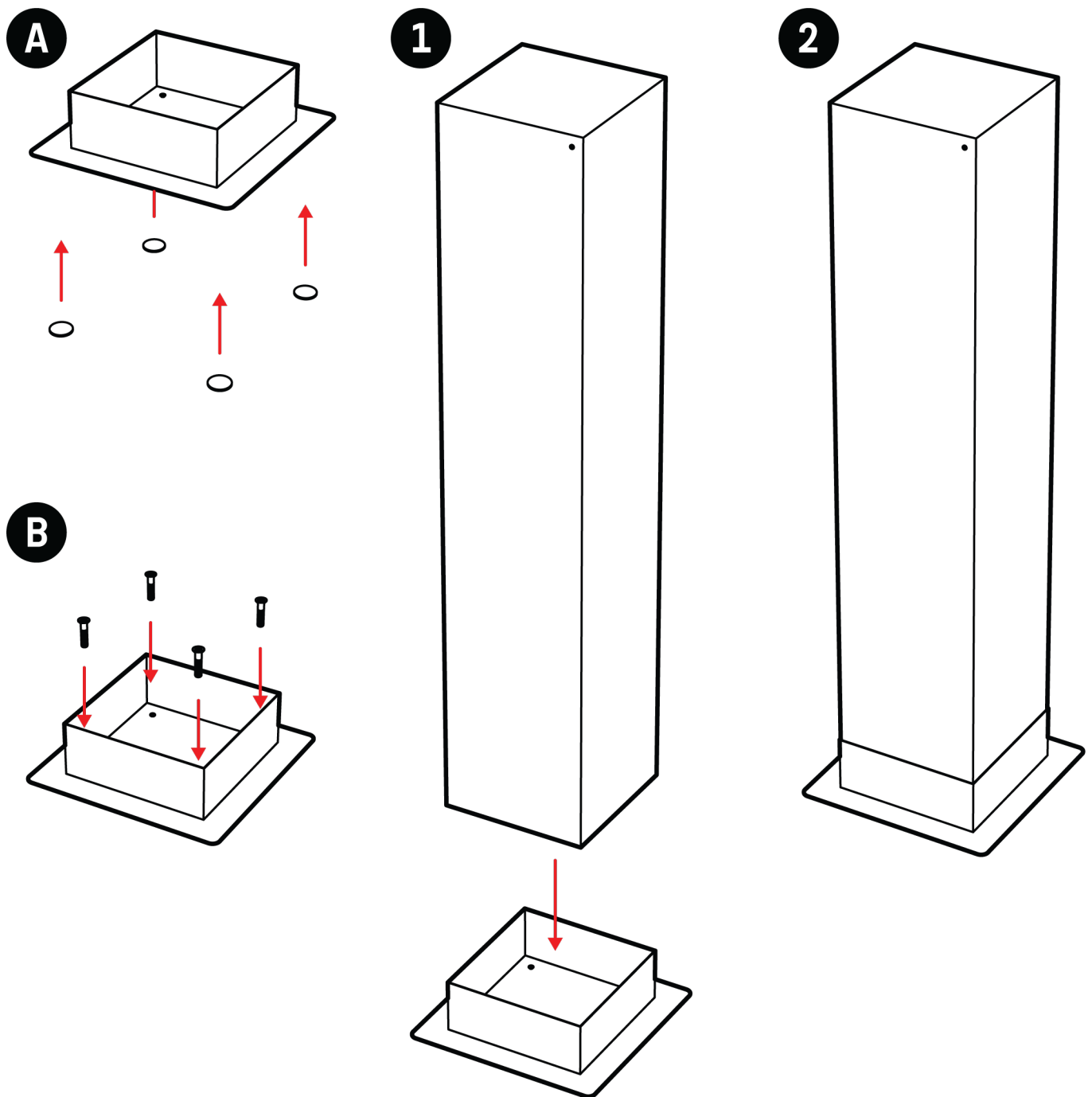


INSTALLATION



ECHOTOWER® 24MM SQUARE STAND

- A:** Stick anti-scratch felt patches onto bottom (optional)
- B:** Fix base to the ground with screws (optional)
- 1:** Insert EchoTower® into foot
- 2:** Ready-assembled EchoTower® 24mm SQUARE STAND



INSTALLATION



ECHOTOWER® 24MM SQUARE MOVE

- A:** Screw wheels directly onto EchoTower® foot
- 1:** Insert EchoTower® into foot
- 2:** Ready-assembled EchoTower® 24mm SQUARE MOVE

