



TECHNICAL SPECIFICATION SHEET

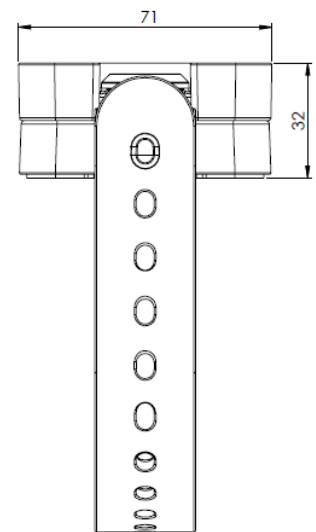
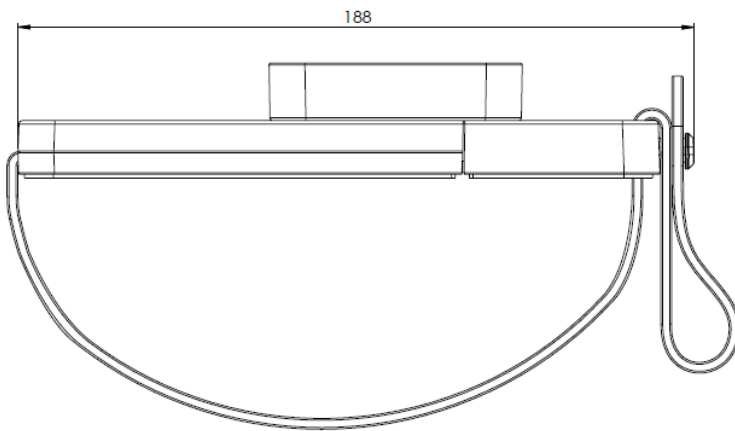
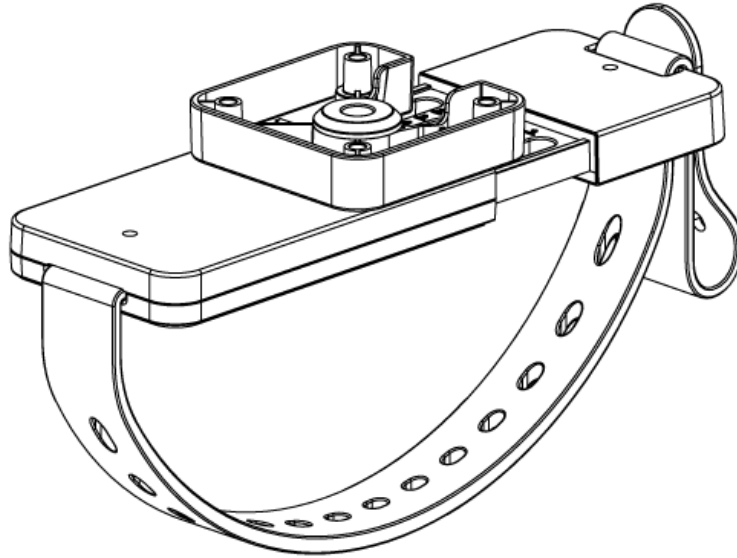
PRODUCT NAME: Loop Micro Device Mount

PRODUCT CODE: CPU/022/B

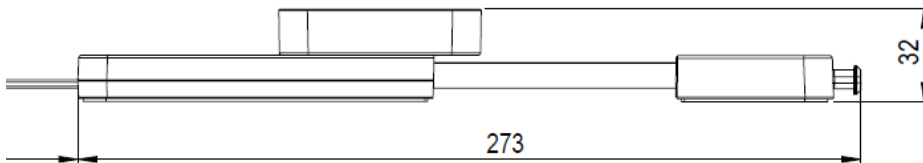
Doc Rev 1.

Product Rev: #A

21.01.2021 KO



When holder is fully extended



*Note that all dimensions are in mm

KEY FEATURES

Loop Micro allows underdesk mounting of small format lightweight devices in workstations where no underdesk cable tray is available.

- Suitable for mounting thin clients, compact PCs.
- Can be used in conjunction with the new Ondo Connectivity Module to mount laptop docking stations.
- Compact and low-profile.
- Easy to install and to reconfigure.
- Adjustable to suit a range of device sizes and formats.
- Features 360-degree rotation.
- Cable management accessories included.

Max Supported Load:	1.5 kg (3.3 lbs)
Moured Device Size:	Max 250mm wide, min 170mm wide. (See size guidance later in this document.)
Recycled Material Content	0.6%
Total Product Recyclable	100%
Product Packaging:	100% plastic-free.

LOGISTICAL

Box contains	Loop Micro Device Mount, fixings, cable management accessories, installation instructions.
Product net weight:	0.2 kg
Box dims (HxWxD)	42 x 200 x 80 mm
Box gross weight	0.24 kg
Carton quantity	50
Master dims (HxWxD)	455 x 420 x 217mm
Master weight	13.8 kg
Country of origin	China

ORDERING INFORMATION

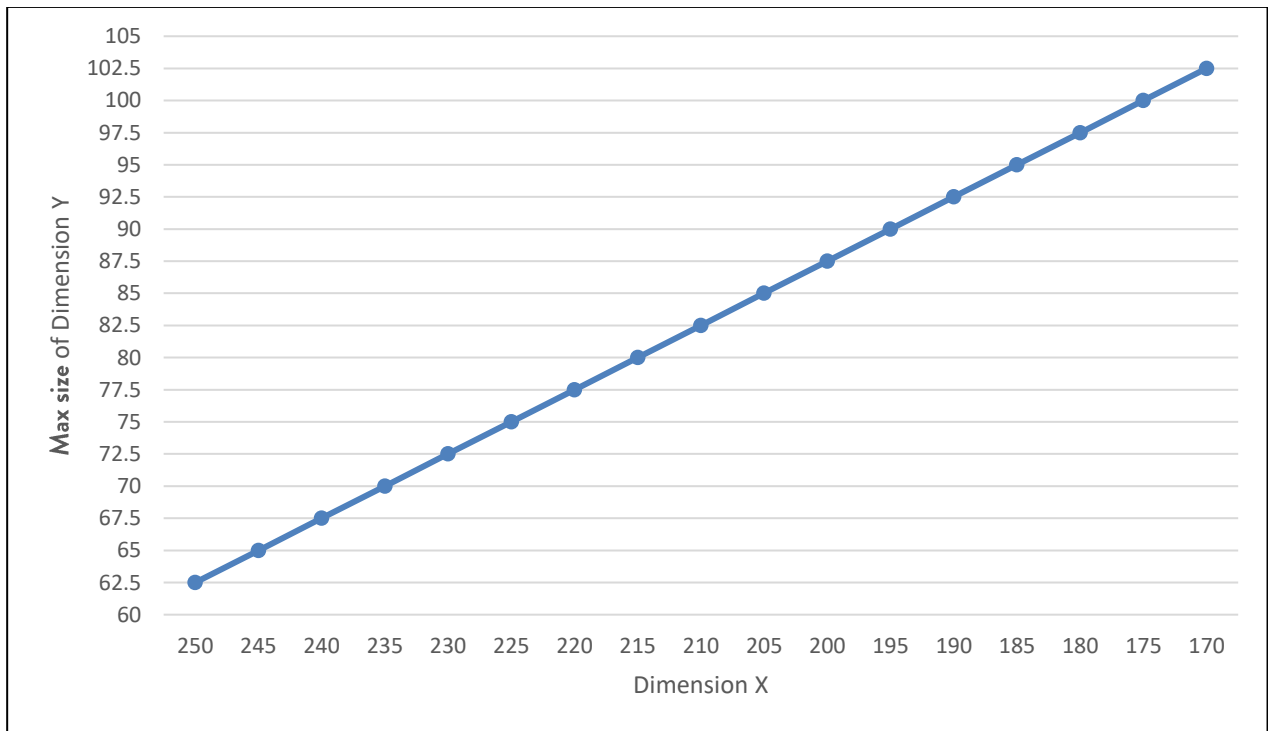
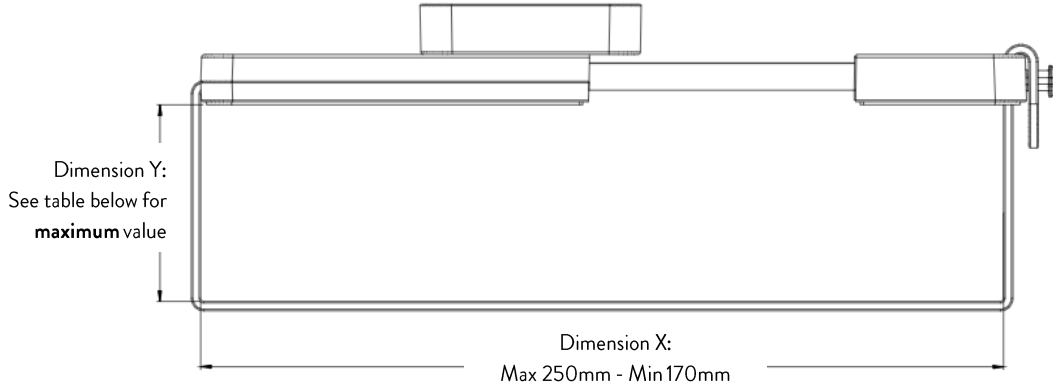
Product Description	Product Code	Colour
Loop Micro Device Mount	CPU/022/B	Black

WARRANTY

Warranty Term	Limited Lifetime (i.e. 12 years)
----------------------	----------------------------------

MAXIMUM SIZE OF MOUNTABLE DEVICES

As devices are held by a flexible strap, the maximum mountable size depends on a combination of width and depth dimensions of the device. The diagram and table below should help you work out if your device is mountable to Loop Micro.



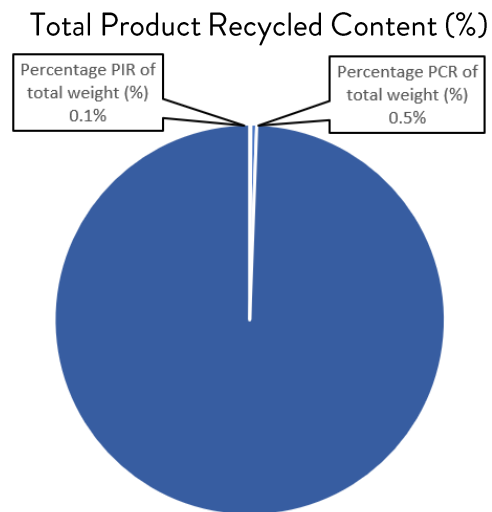
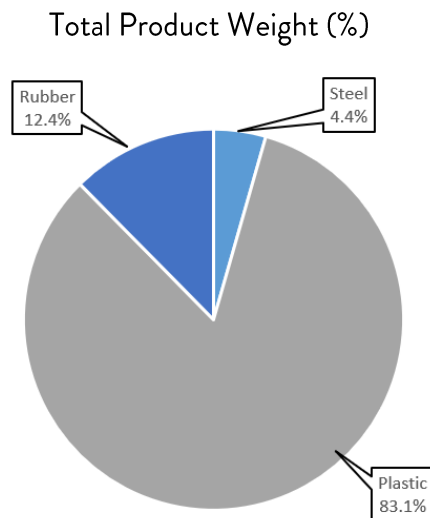
ENVIRONMENTAL

Material Make-up			Total Recycled Content	Breakdown of Recycled Content		Total Recyclable	
Overall Product			Overall Product			Overall Product	
Material type	Total Material type weight (g)	Percentage of Total Product Weight (%)	Material-Type Recycled Content (%)	Percentage PIR of total weight (%)	Percentage PCR of total weight (%)	Total Product Recyclable (g)	Total Product Recyclable (%)
Steel	9.0	4.4%	0.6%	0.1%	0.5%	9.0	4.4%
Plastic	167.5	83.1%	0.0%	0.0%	0.0%	167.5	83.1%
Rubber	25.0	12.4%	0.0%	0.0%	0.0%	25.0	12.4%
Total	201.5	100.0%	0.6%	0.1%	0.5%	201.5	100.0%

Due to calculation rounding there may be some small variations in displayed percentage totals.

PIR = Post Industrial Recycled

PCR = Post Consumer Recycled



Product Packaging is 100% plastic-free.

COMPLIANCE & SAFETY CERTIFICATION

Whilst no mandatory standards apply to the CPU holder product sector, Colebrook Bosson Saunders Loop has been designed to confirm the requirements of BS EN ISO 12100-2:2008 Safety of Machinery – Basic Concepts, general principles for design.

CLEANING, STORAGE & MAINTENANCE

Routine servicing	Periodic inspection
Service components	Available to order
Cleaning & Maintenance	Damp cloth, no abrasives, no solvents to be used on the cosmetic surfaces
Handling & Storage	Do not drop or expose to moisture

While every effort is made to ensure the accuracy of our technical information, Colebrook Bosson Saunders (Products) Ltd accept no liability for the accuracy of the information contained in this document and reserve the right to modify the specifications or data contained herein without prior notification.