
BuzziQ

Product Specification Sheet

This document contains technical information about the BuzziQ








www.buzzi.space

Acoustic seating fit for a queen

With its high density of acoustic material, BuzziQ is a private cocoon that helps cancel out distractions and excessive noise. And due to its rotating base, it allows for different levels of privacy without changing your seat. Pair it with the matching BuzziQ Ottoman for the ultimate relaxation spot in any workspace or home. Additionally, complement BuzziQ with BuzziK for a perfect Hubs for Togetherness setup.

General

-  BuzziQ | BuzziQ Ottoman
-  Cushions: Acoustic foam covered with fabric
-  Foot: metal swivel base, powder coated in Black (RAL 9005)
Cover upholstered in Fabric Nude 70
-  Dry use
-  Fully Assembled

Acoustics



Absorption



Diffusion



Mid tone



High tone

Content

Configurations	3
Fabrics	4
Dimensions	5

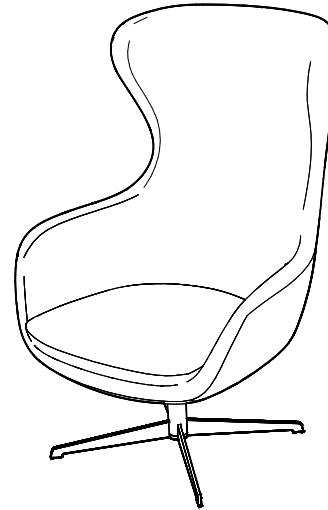
Configurations

BuzziQ

🌲 Cushions: Acoustic foam covered with fabric
Foot: metal swivel base, powder coated in Black (RAL 9005)
Cover upholstered in Fabric Nude 70

✂ W 77 cm D 80 cm H 110 cm
W 30.31" D 31.50" H 43.31"

⚖ 20,8 kg | 45.86 lbs



BuzziQ Ottoman

🌲 Cushions: Acoustic foam covered with fabric
Foot: metal swivel base, powder coated in Black (RAL 9005)
Cover upholstered in Fabric Nude 70

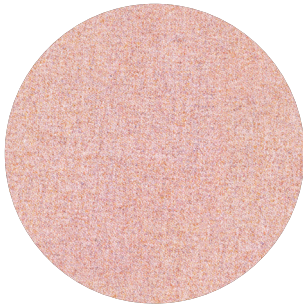
✂ W 57 cm D 45 cm H 40 cm
W 22.44" D 17.72" H 15.75"

⚖ 10,3 kg | 22.71 lbs



Fabrics

Fabric Nude 70



Category A

Composition 70% Recycled Wool, 25% Recycled Polyacryl,
5% Recycled Other Fabrics

Weight 405 g/m² | 11.94 oz/yd²

Abrasion resistance 40.000 Martindale, 50,000 Wyzenbeek

Flammability EU: EN 1021.1/2006 | BS EN 1021.1/2006 (cigarette).
EN 1021.2/2006 | BS EN 1021.2/2006 (match)
USA: CAL TB 117 | ASTM E84 CLASS A

Fastness to light EU: 4 | USA 4

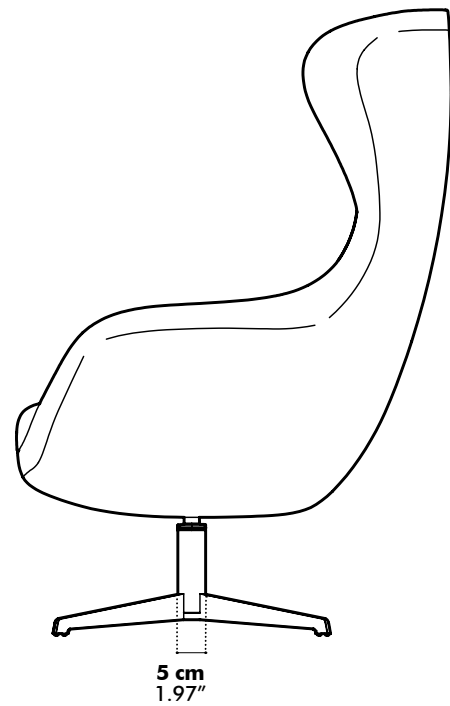
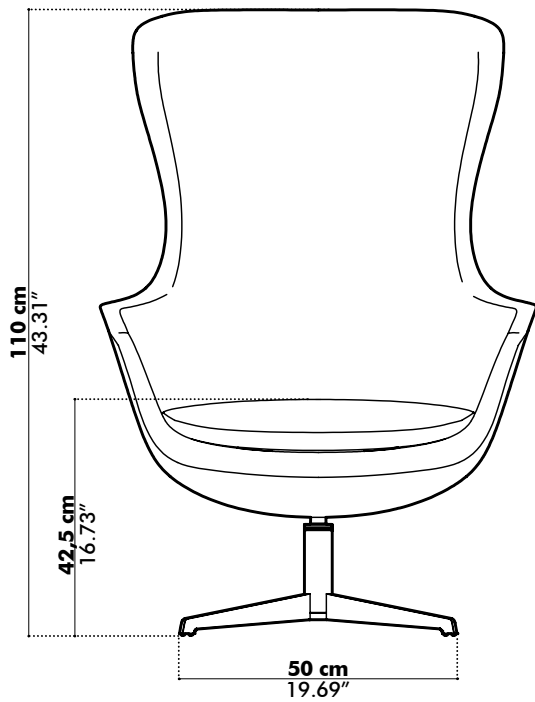
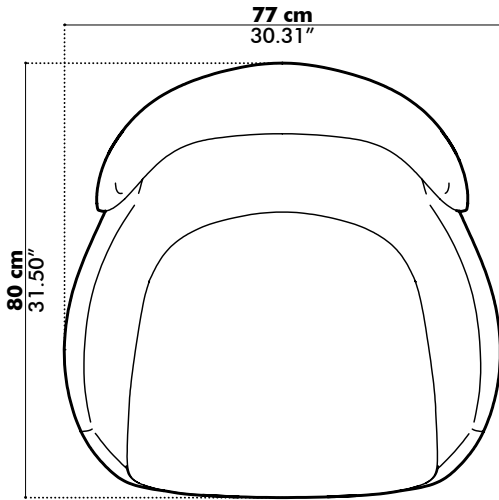
Fastness to rubbing EU: Wet 3-4 | Dry 4-5

Fastness to crocking USA: Wet 5 | Dry 5

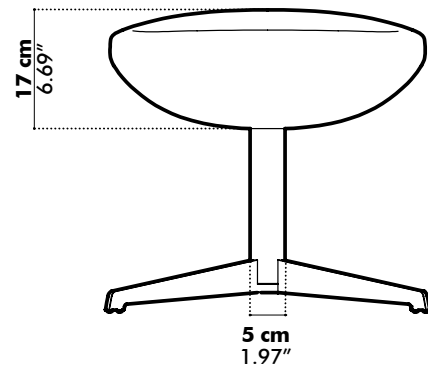
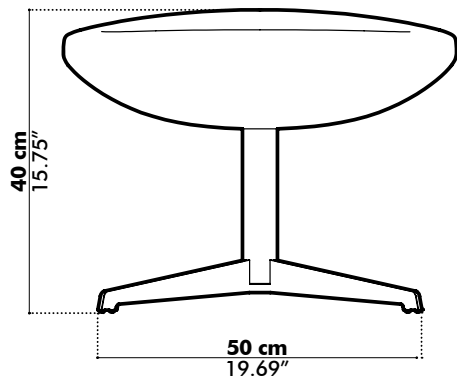
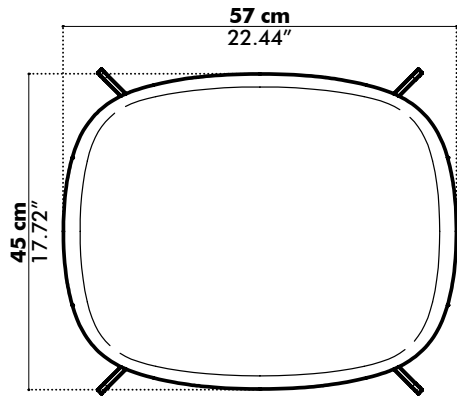


Dimensions

BuzziQ



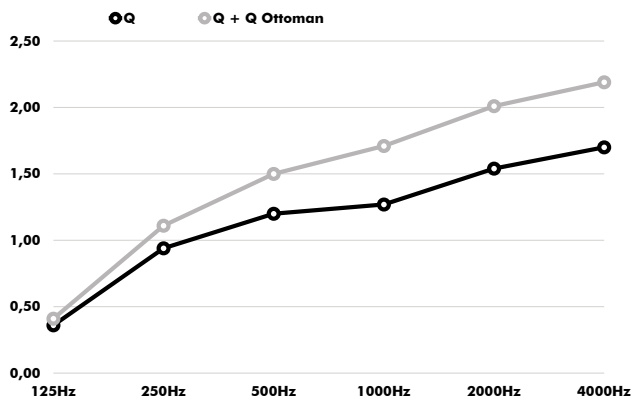
BuzziQ Ottoman



Acoustics

BuzziQ

Equivalent sound absorption area in m² per object



Hz	Q Aeq/m ²	Q + Q Ottoman Aeq/m ²
125	0.36	0.41
250	0.94	1.11
500	1.20	1.50
1000	1.27	1.71
2000	1.54	2.01
4000	1.70	2.19