

---

# BuzziSpark

## Product Specification Sheet

---

This document contains technical information about the BuzziSpark

---



[www.buzzi.space](http://www.buzzi.space)






## A comfy escape with a twist, pulling you out of a stressful moment

BuzziSpark invites you to relax and observe in silence what happens in your surroundings. But it holds a surprise... Until you plunge yourself in its cocoon, you won't know 'who' or 'if' someone is sharing the same experience. You may run into another nomad with another story looking to escape from the every day and make a new connection. The magic of BuzziSpark lies in the allure of the unknown – the surprise of not knowing who you'll meet around the corner.

Design by Alain Gilles

---

## General

-  Original AG103 | AG102  
Sofa AG112 | AG111
- Frame in Powder Coated Metal – RAL 9005
- Seat cushions: Fillings : polyether foam and polyester fiberfill  
Sew finishing: regular seam
- Back and side cushions against Shield: Fillings : polyether foam, polyester fiberfill  
Sew finishing: tube piping
- Comfort and decorative cushions: Fillings : polyether foam and polyester fiberfill  
Sew finishing: tube piping
-  Acoustic Shields: Core: Plywood 1,8 cm | 0.71"  
Cover : foam, fiberfill and fabric  
Sew finishing: tube piping
- Suspension frame of high-durability glass fiber reinforced slats
- Cushions upholstered in: Fabric, Trevira CS+ | CS, Velvet, Clara 2, Remix 3, Hero, Tonus 4, Memory 2 or  
Leather Vegetal
- Shields upholstered in: Fabric, Trevira CS+ | CS, Velvet, Clara 2, Hero, Tonus 4, Memory 2
-  Dry use
- Comfort armrest cushions
- Decorative cushion(s)
- ... Anti-theft set for 2 cushions (used for optional armrest cushions or decorative cushions)
- Tablet
- Electrification Unit

---

## Certifications

DIN EN 12520: 2016  
DIN EN 16139: 2014 Level 1  
DIN EN 16139: 2014 Level 2  
BIFMA X5.4-2012

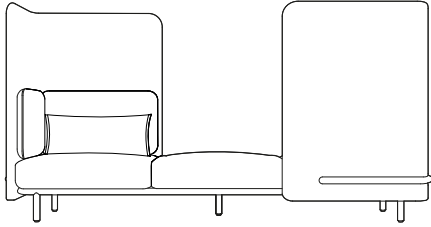
---

## Content

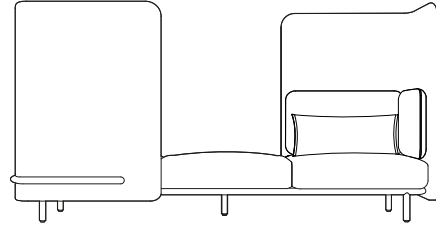
Configurations	3
Components	7
Fabrics	11
Dimensions	14
Acoustics	19

# Configurations

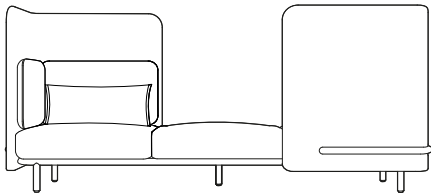
## Original AG103



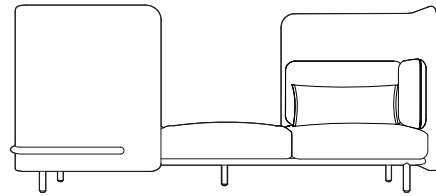
Left Open - High Shields



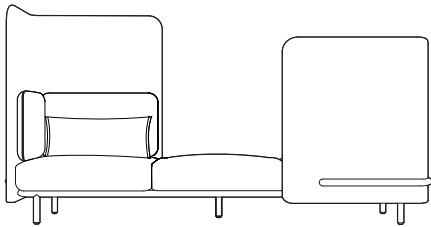
Right Open - High Shields



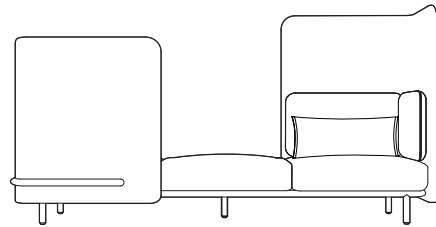
Left Open - Medium Shields



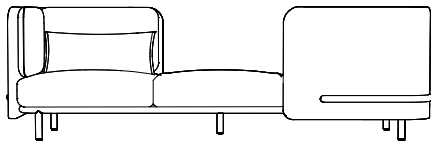
Right Open - Medium Shields



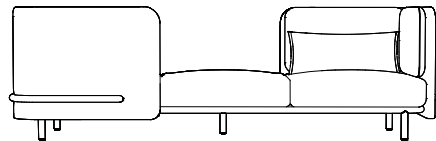
Left Open - High Shield + Medium Shield



Right Open - Medium Shield + High Shield



Left Open - Low Shield + Low Shield



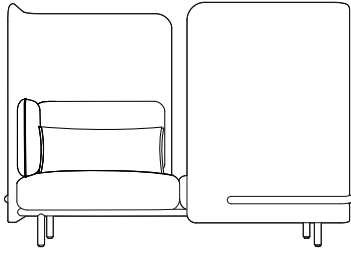
Right Open - Low Shield + Low Shield

✘	Low Shields:	W 324 cm	D 101 cm	H 100 cm
		W 127.60"	D 39.76"	H 39.37"
	Medium Shields:	W 324 cm	D 101 cm	H 140 cm
		W 127.60"	D 39.76"	H 55.12"
	High Shields:	W 324 cm	D 101 cm	H 165 cm
		W 127.60"	D 39.76"	H 64.96"

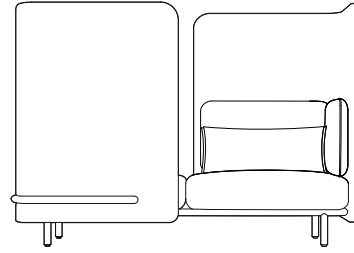
⚖	Low Shields:	132 kg   291.01 lbs
	Medium Shields:	142 kg   313.06 lbs
	High Shields:	152 kg   335.10 lbs
	Medium + High Shield:	147 kg   324.08 lbs



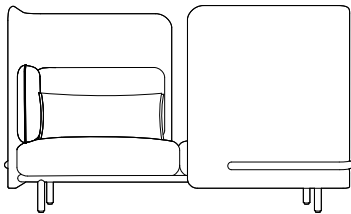
# Original AG102



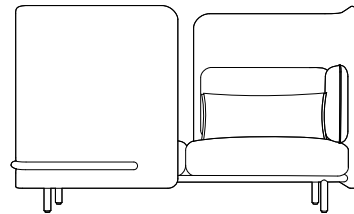
Left Open - High Shields



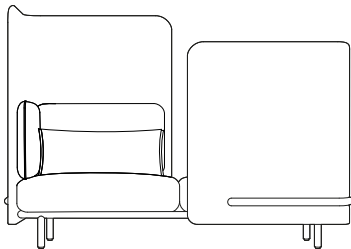
Right Open - High Shields



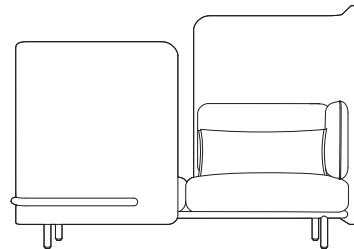
Left Open - Medium Shields



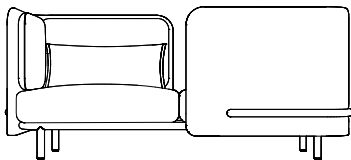
Right Open - Medium Shields



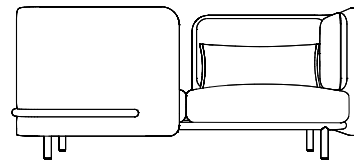
Left Open - High Shield + Medium Shield



Right Open - Medium Shield + High Shield



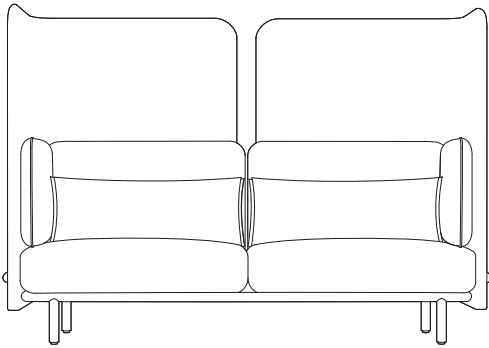
Left Open - Low Shield + Low Shield



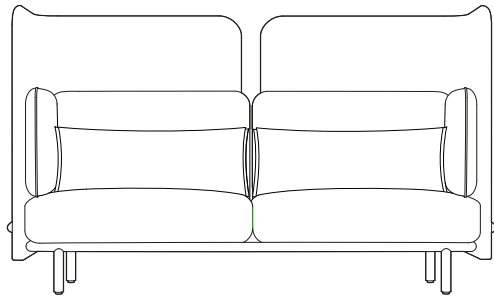
Right Open - Low Shield + Low Shield

	Low Shields:	W 239 cm	D 101 cm	H 100 cm
		W 94.09"	D 39.76"	H 39.37"
✘	Medium Shields:	W 239 cm	D 101 cm	H 140 cm
		W 94.09"	D 39.76"	H 55.12"
	High Shields:	W 239 cm	D 101 cm	H 165 cm
		W 94.09"	D 39.76"	H 64.96"
	Low Shields:	116 kg	255.74 bs	
⚖	Medium Shields:	126 kg	277.78 lbs	
	High Shields:	136 kg	299.83 lbs	
	Medium + High Shield:	131 kg	288.81 lbs	

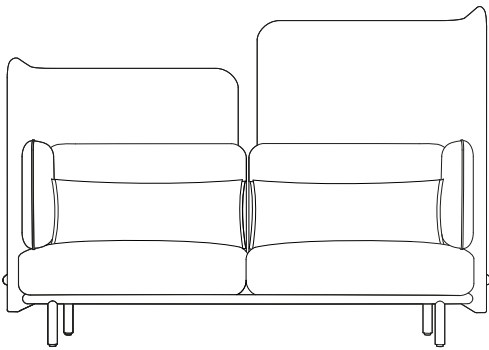
# Sofa AG112



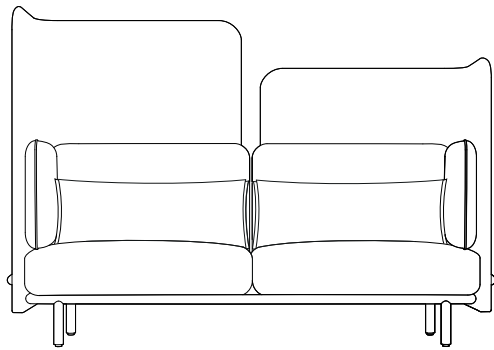
High Shields



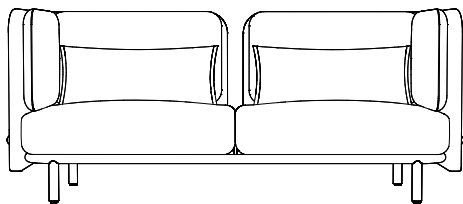
Medium Shields



Medium Shield + High Shield



High Shield + Medium Shield

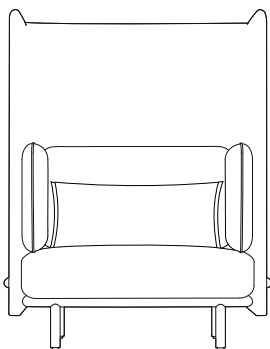


Low Shield

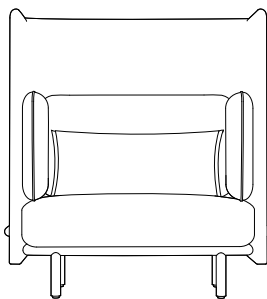
	Low Shields:	W 239 cm	D 95 cm	H 100 cm
		W 94.04"	D 37.40"	H 39.37"
✘	Medium Shields:	W 239 cm	D 95 cm	H 140 cm
		W 94.04"	D 37.40"	H 55.12"
	High Shields:	W 239 cm	D 95 cm	H 165 cm
		W 94.04"	D 37.40"	H 64.96"
	Low Shields:	116 kg		255.74 lbs
⚖	Medium Shields:	126 kg		278.78 lbs
	High Shields:	136 kg		299.83 lbs
	Medium + High Shield:	131 kg		288.81 lbs

---

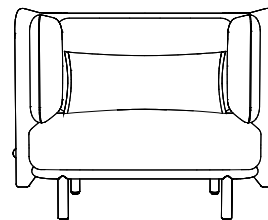
## Sofa AG111



High Shield



Medium Shield



Low Shield

	Low Shield:	W 131 cm	D 95 cm	H 100 cm
		W 51.57"	D 37.40"	H 39.37"
✘	Medium Shield:	W 131 cm	D 95 cm	H 140 cm
		W 51.57"	D 37.40"	H 55.12"
	High Shield:	W 131 cm	D 95 cm	H 165 cm
		W 51.57"	D 37.40"	H 64.96"
⚖	Low Shield:	75 kg	165.35 lbs	
	Medium Shield:	85 kg	187.39 lbs	
	High Shield:	95 kg	209.44 lbs	

# Components

---

## Shield



The shield is what gives BuzziSpark its unique character. It is the side panel of the sofa, available in different models to create protection at two different heights. For instance, BuzziSpark is available with two shields on one side to create a love seat, or with two shields in opposite directions. The shield has a solid wooden core, surrounded by a layer of acoustic foam and finally upholstered in fabric, thus giving it a soft look and feel.

---

## Shield Cushion



The shield cushion provides comfort to the shield, so you can relax into the acoustic shelter. The shield cushion always comes in the same color as the seating cushion and is fixed with a slider system to the shield. This way, it can easily be detached.

---

## Comfort Back Cushion



One of the characteristics of BuzziSpark is the number of cushions. In combination they create a sense of depth, and the comfort back cushion is no exception. It provides a luxurious feel while softly and comfortably supporting your back. The optional comfort arm cushion always come in the same fabric color.

---

## Seating Cushion



Just like the back cushion, the seating cushion gives you a pleasant experience in the BuzziSpark, providing the ultimate backdrop to unwind. The seating cushion always comes in the same colors as the shield cushion.

---

## Frame



The metal frame is what holds the body of BuzziSpark together. It ensures a firm support to all the components. The frame comes in a black, powder coated structure, attracting just the right attention without stealing the spotlight from the individual elements.



# Options

---

## Comfort armrest cushions



If you want to add extra comfort to your BuzziSpark, you can supplement the existing layout with two armrest cushions, one in each side. These come in the same color as the comfort back cushion and are also offered with an optional anti-theft set.

W 55 cm H 38 cm D 16 cm  
W 21.65" H 14.96" D 6.30"

---

## Decorative cushions



Customize your BuzziSpark even further with decorative cushions for additional comfort. Play with contrasting colors to create an eye-catching setup that will make everyone turn around.

W 40 cm H 40cm D 13 cm  
W 15.75" H 15.75" D 5.12"

---

## Tablet



BuzziSpark Tablet with rotating top in Ash Black Stained.

Ø 30 cm H 69,6 cm  
Ø 11.81" H 27.40"

---

## Electrification Unit



BuzziSpark electrification unit with 3m power cable

Possible options

BE/FR/PO/SL (Type E)

2x USB charger (type A) outlet

1x socket outlet

DE/NL/SP/NO/SW (Type F)

2x USB charger (type A) outlet

1x socket outlet

UK/IR/MA (Type G)

2x USB charger (type A) outlet

1x socket outlet

US (Type A)

2x Socket outlet

# Fabrics

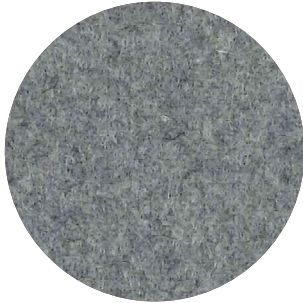
**⚠ Not all fabrics are available for every product.**  
**Please check below in what fabric you can order your product.**

**Shields available in:** Fabric, Trevira CS+ | CS, Clara 2, Velvet, Hero, Tonus 4, Memory 2

**Cushions available in:** Fabric, Trevira CS+ | CS, Revive 1, Clara 2, Remix 3, Velvet, Hero, Tonus 4, Memory 2  
Leather Vegetal

---

## Fabric



**Category A**

**Composition** 70% Recycled Wool, 25% Recycled Polyacryl,  
5% Recycled Other Fabrics

**Weight** 405 g/m<sup>2</sup> | 11.94 oz/yd<sup>2</sup>

**Abrasion resistance** 40.000 Martindale, 50,000 Wyzenbeek

**Flammability** EU: EN 1021.1/2006 | BS EN 1021.1/2006 (cigarette).  
EN 1021.2/2006 | BS EN 1021.2/2006 (match)  
USA: CAL TB 117 | ASTM E84 CLASS A

**Fastness to light** EU: 4 | USA 4

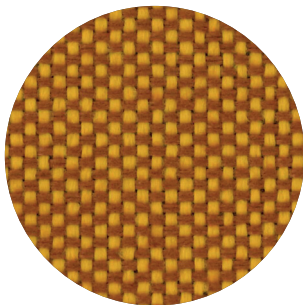
**Fastness to rubbing** EU: Wet 3-4 | Dry 4-5

**Fastness to crocking** USA: Wet 5 | Dry 5



---

## Trevira CS+ | CS



**Category A**

**Weight** 420 g/m<sup>2</sup> | 12.39 oz/yd<sup>2</sup>

**Composition** 100% Polyester, Trevira CS

**Abrasion resistance** 100.000 Martindale, 90,000 Wyzenbeek

**Flammability** BS 5852 part II: CRIB 5 | BS 7176 Medium Hazard  
USA: CAL TB 117 | M1 | B1 | EN 1021/1-2 | C1 |  
IMO Res. A652 (16)

**Fastness to light** EU: 6 | USA 5

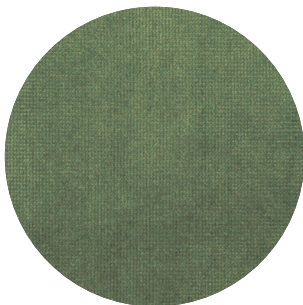
**Fastness to rubbing** EU: Wet 4-5 | Dry 4-5

**Fastness to crocking** USA: Wet 5 | Dry 5



---

## Velvet



**Category B**

**Composition** 100% PES

**Weight** 375 g/m<sup>2</sup> | 11.06 oz/yd<sup>2</sup>

**Abrasion resistance** > 100.000 Martindale

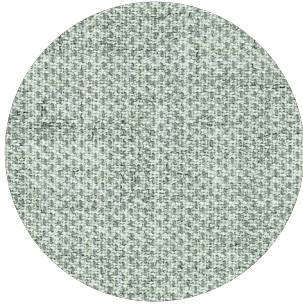
**Fastness to light** EU: 4-5

**Fastness to rubbing** EU: Wet 4 | Dry 4-5

**Pilling** EU: 4-5

## Clara 2

kvadrat



**Category B**

**Composition** 92% new wool, 8% nylon

**Weight** 400 g/lin.m

**Abrasion resistance** 80.000 Martindale rubs, EN ISO 12947

**Flammability** EN 1021-1/2 | BS 5852, ignition source 2-3 | DIN 4102 B2  
NF D 60 013 | UNI 9175 11M | US Cal. Tech. Bull. 117, Sec. E  
NFPA 260 | IMO A.652(16)

**Fastness to light** Note 5-7, ISO 105-B02

**Fastness to rubbing** (ISO) dry 4-5, wet 4

**Pilling** Note 4, EN ISO 12945



## Remix 3

kvadrat



**Category B**

**Composition** 90% new wool, 10% nylon

**Weight** 415 g/lin.m

**Abrasion resistance** 100.000 Martindale rubs, EN ISO 12947

**Flammability** EN 1021-1/2 | BS 5852 part 1  
Önorm B1/Q1 | NF D 60 013 | UNI 9175, 11M  
AS/NZS 1530.3 | Cal. Tech. Bull. 117-2013  
NFPA 260 | IMO FTP Code 2010:Part 8

**Fastness to light** Note 5-7, ISO 105-B02

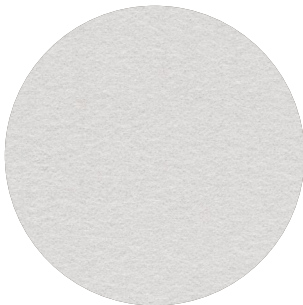
**Fastness to rubbing** (ISO) dry 4-5, wet 4

**Pilling** Note 4, EN ISO 12945



## Hero

kvadrat



**Category C**

**Composition** 96% new wool, 4% nylon

**Weight** 580 g/lin.m

**Abrasion resistance** 45.000 Martindale rubs, EN ISO 12947

**Flammability** EN 1021-1/2 | DIN 4102 B2 | NF D 60 013  
UNI 9175 11M | US Cal. Bull. 117-2013 | NFPA 260  
IMO A.652 (16)

**Fastness to light** Note 5-6, ISO 105-B02

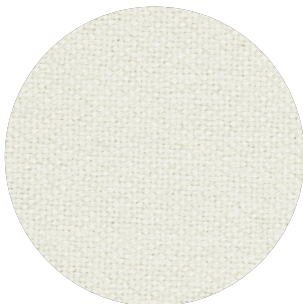
**Fastness to rubbing** (ISO) dry 4-5, wet 4-5

**Pilling** Note 3-4, EN ISO 12945



## Tonus 4

kvadrat



**Category D**

**Composition** 90% new wool, 10% Helanca

**Weight** 665 g/lin.m

**Abrasion resistance** 100.000 Martindale rubs, EN ISO 12947

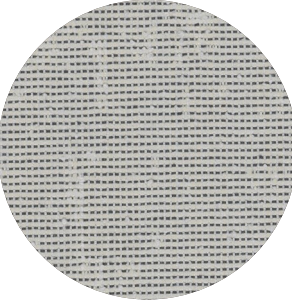
**Flammability** EN 1021-1/2 | BS 5852 part 1 | DIN 4102 B2  
Önorm B1/Q1 | NF D 60 013 | UNI 9175 11M  
US Cal. Bull. 117-2013 | NFPA 260 | IMO A.652 (16)

**Fastness to light** Note 5-7, ISO 105-B02

**Fastness to rubbing** (ISO) dry 3-5, wet 3-5

**Pilling** Note 3, EN ISO 12945





**Category** E

**Composition** 100% Trevira CS

**Weight** 700 g/lin.m

**Abrasion resistance**

35.000 rubs acc. to the Martindale method, EN ISO 12947

**Flammability** EN 1021-1/2 | DIN 4102 B1 | Önorm B1/Q1  
NF D 60 013 | NF P 92 507 M1 | UNI 9175 11M  
UNI 9177 classe 1 | US Cal. Tech. Bull. 117  
IMO A.652 (16)

**Fastness to light** Note 5-8, ISO 105-B02

**Fastness to rubbing** (ISO) dry 4-5, wet 4-5

**Pilling** Note 4, EN ISO 12945



## Leather Vegetal



**Raw material** Scandinavian Bullhides

**Surface** Pure Aniline

**Flammability** EU: EN 1021.1 - BS5852 PART 1 (cigarette)

EN 1021.2 - BS5852 PART 1 (match)

USA: CAL TB 117

**Fastness to light** EU: 3 Blue Scale (72h exposition)

**Fastness to rubbing** EU: Wet: 20 cycles/3 | Dry: 50 cycles/3  
Sweat: 20 cycles/3

**Strenght** Tear resistance: >20N or 10N/mm thickness

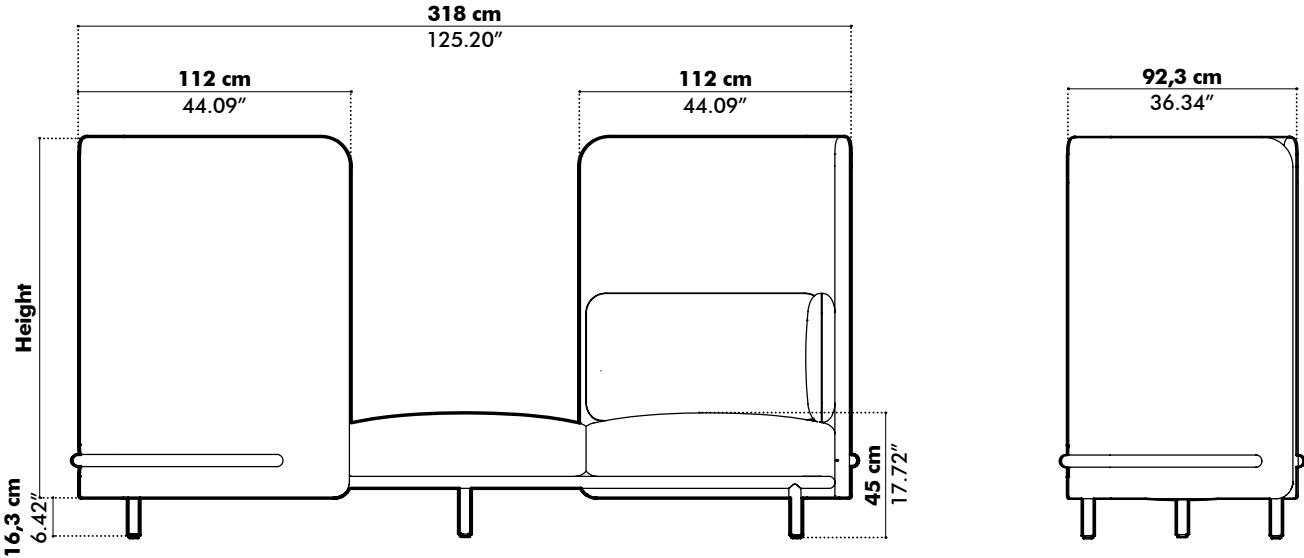
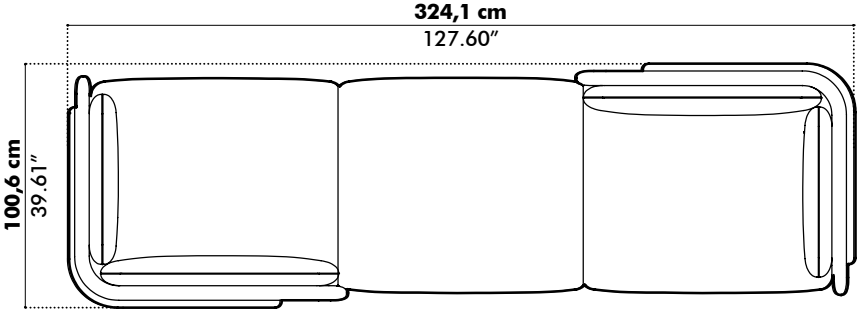
Tensile: >20N/mm<sup>2</sup>

Elongation: 40-70%



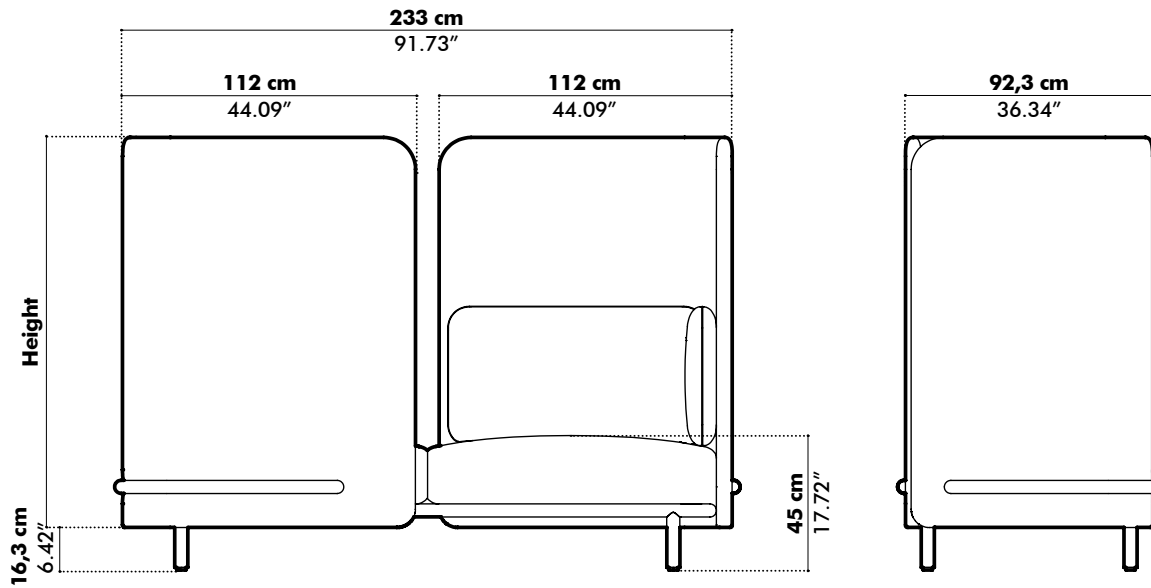
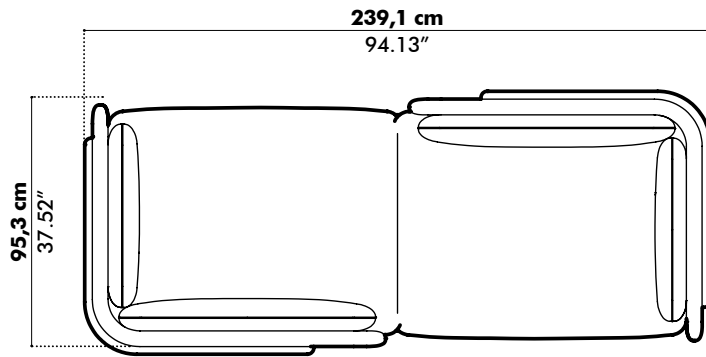
# Dimensions

## Original AG103



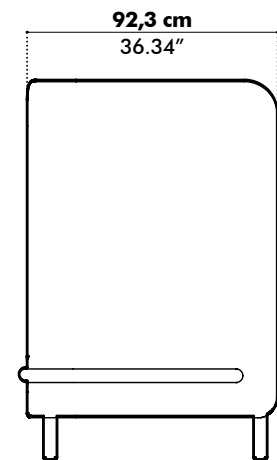
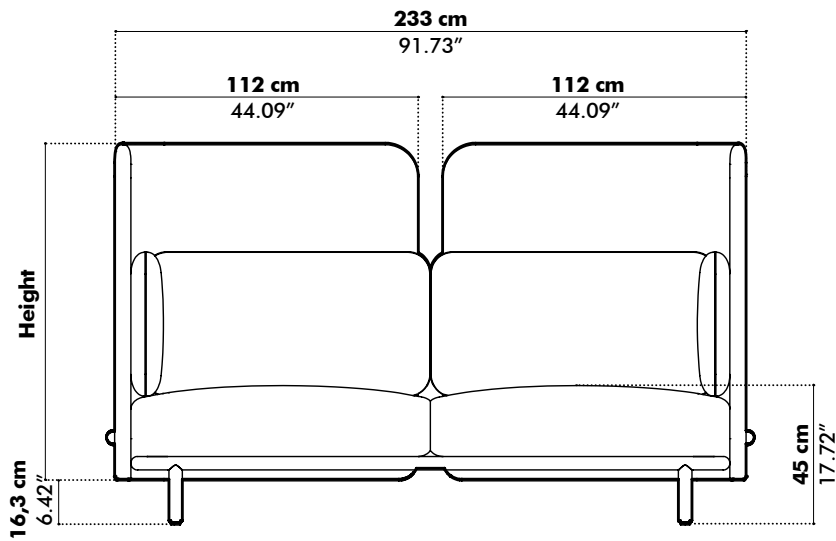
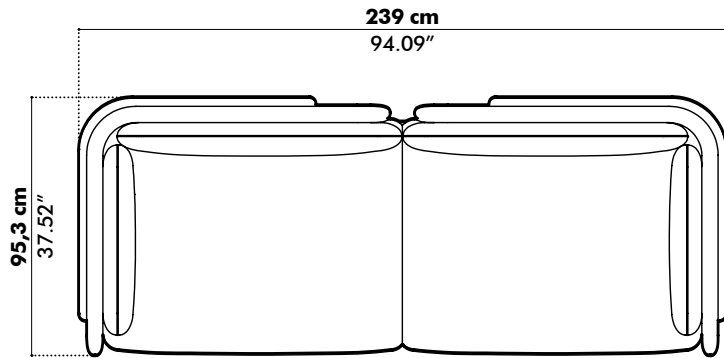
	Low Shield	84 cm   33.07"
Height	Medium Shield	124 cm   48.22"
	High Shield	149 cm   58.66"

# Original AG102



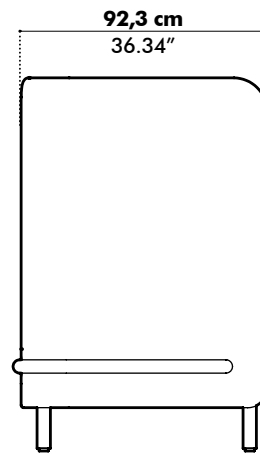
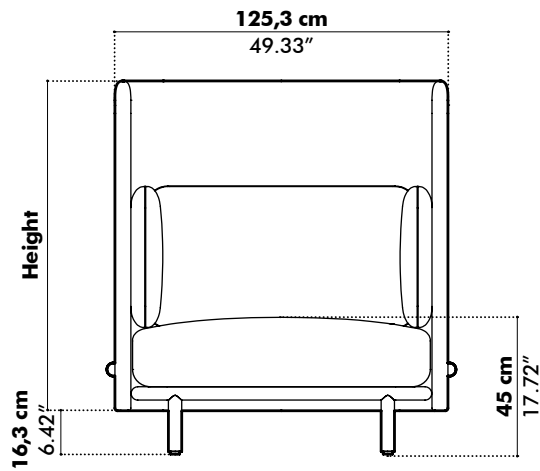
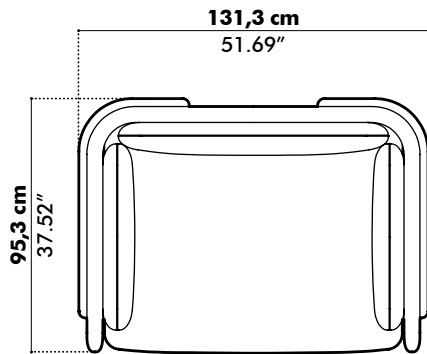
	Low Shield	84 cm   33.07"
<b>Height</b>	Medium Shield	124 cm   48.22"
	High Shield	149 cm   58.66"

# Sofa AG112



	Low Shield	84 cm   33.07"
<b>Height</b>	Medium Shield	124 cm   48.22"
	High Shield	149 cm   58.66"

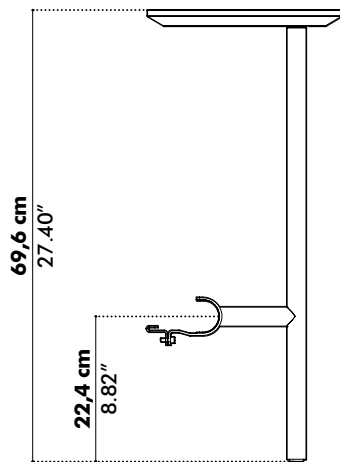
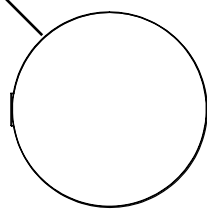
# Sofa AG111



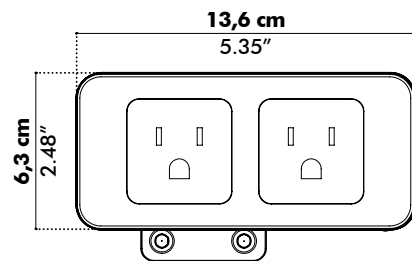
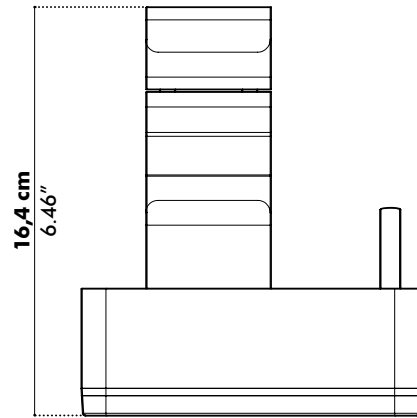
	Low Shield	84 cm   33.07"
<b>Height</b>	Medium Shield	124 cm   48.82"
	High Shield	149 cm   58.66"

## Tablet

Ø 30 cm  
11.81"



## Electrification Unit

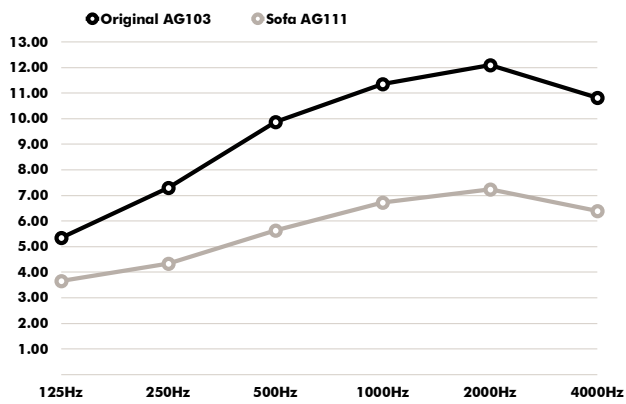




# Acoustics

## BuzziSpark Original AG 103

Equivalent sound absorption area in m<sup>2</sup> per object



Hz	Original AG103 Aeq/m <sup>2</sup>	Sofa AG111 Aeq/m <sup>2</sup>
125	5.34	3.65
250	7.31	4.34
500	9.87	5.64
1000	11.36	6.73
2000	12.09	7.23
4000	10.82	6.40