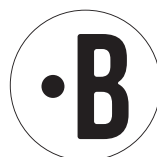
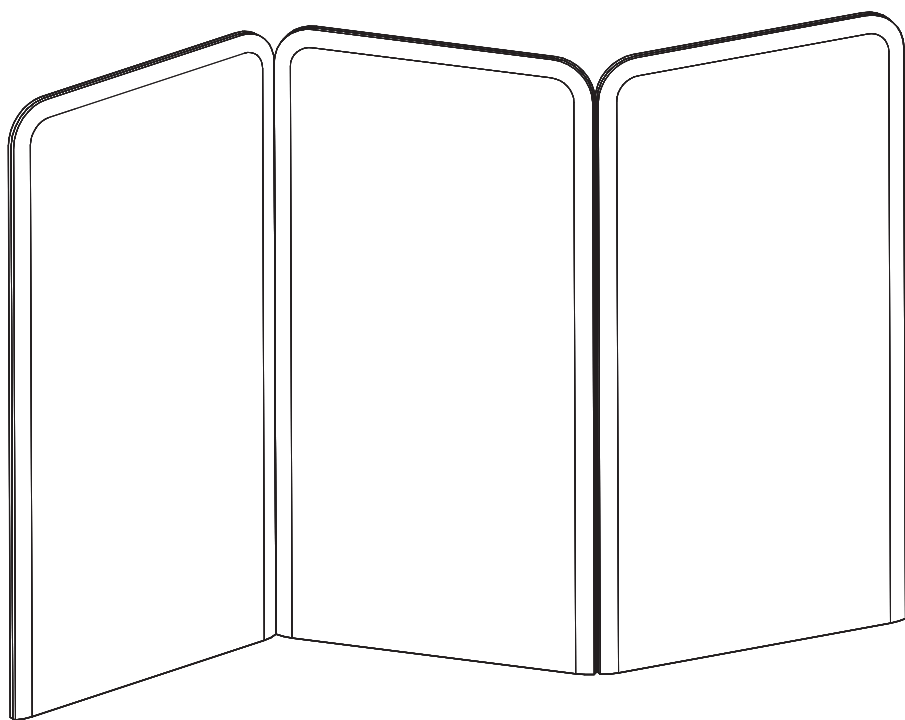


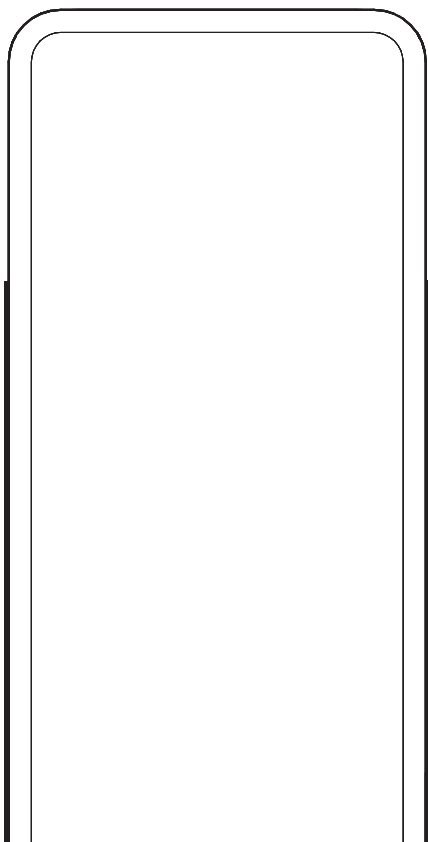
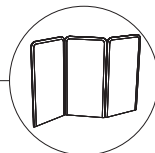
# BuzziScreen

# BuzziScreen Mix

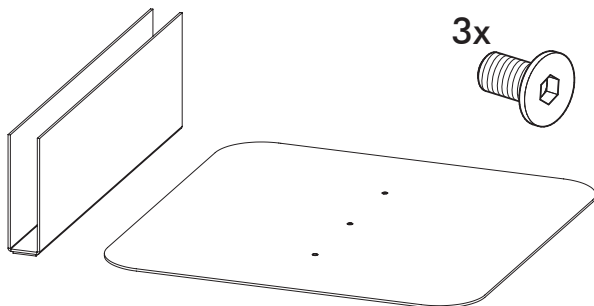
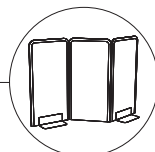
INSTALLATION MANUAL



## Included BuzziScreen



## Optional BuzziFoot

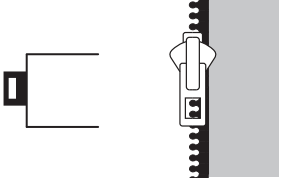


**Excluded**

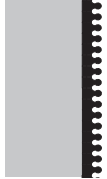


# Combinations: examples

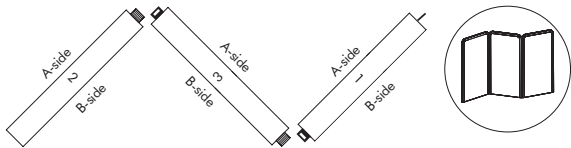
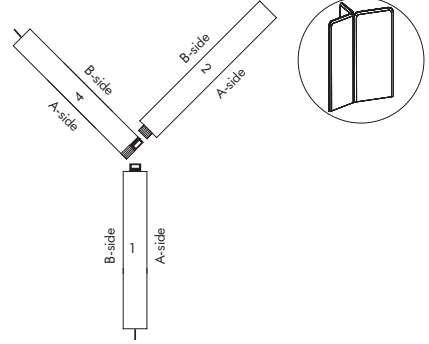
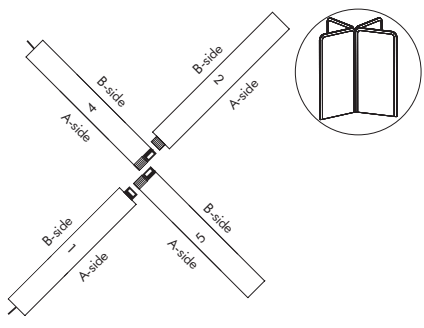
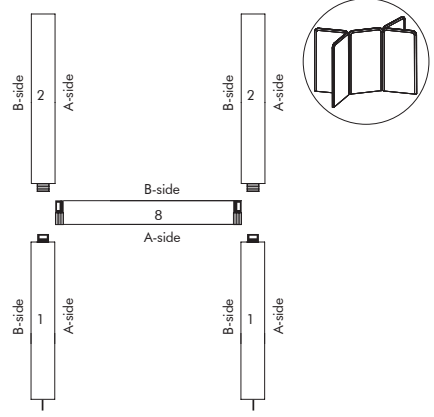
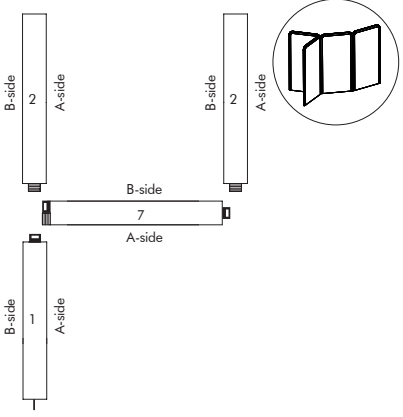
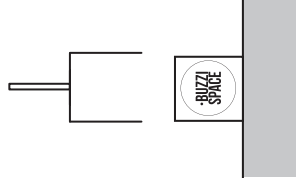
Puller Side



Pin Side

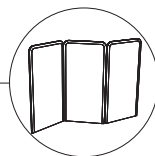


Label (only with stop panel)

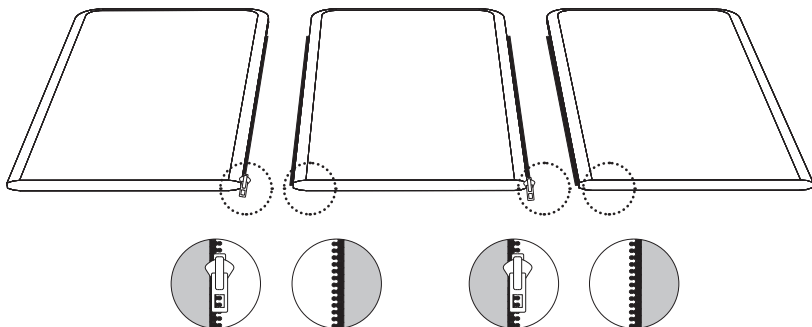


# BuzziScreen

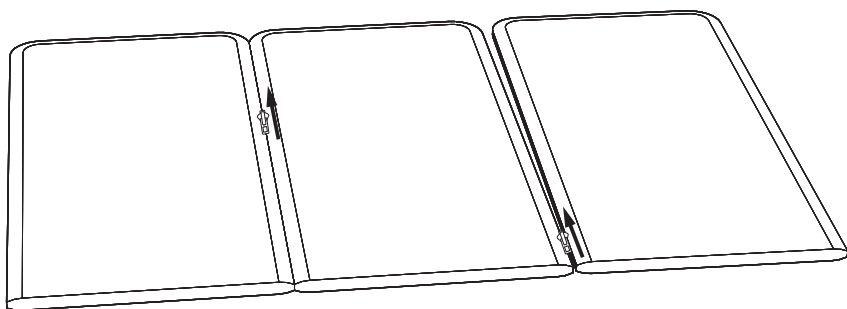
2 PERS. 



1

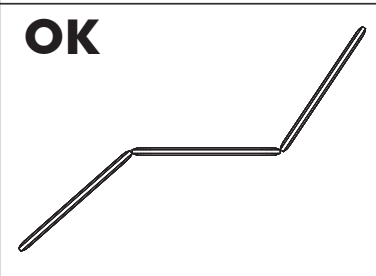
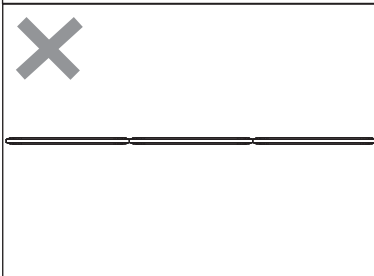
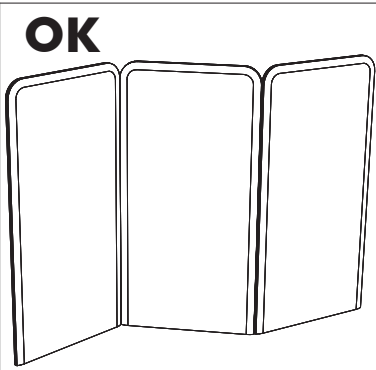
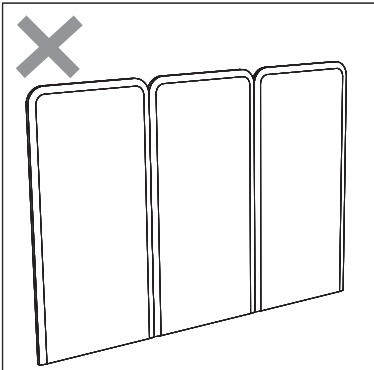
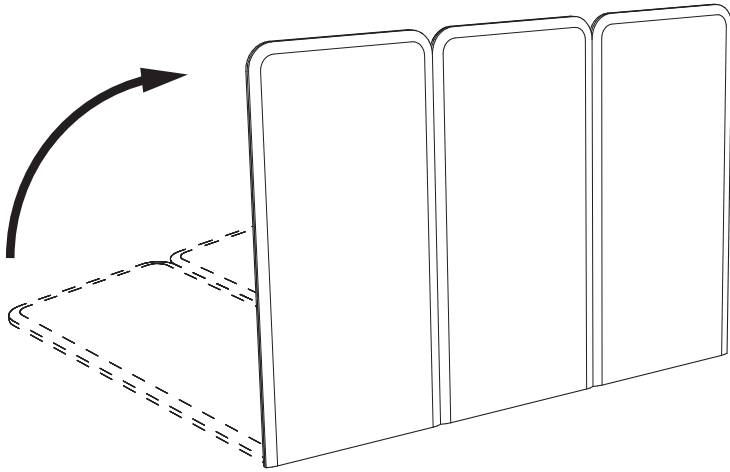


2



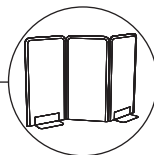
3

2 PERS. 

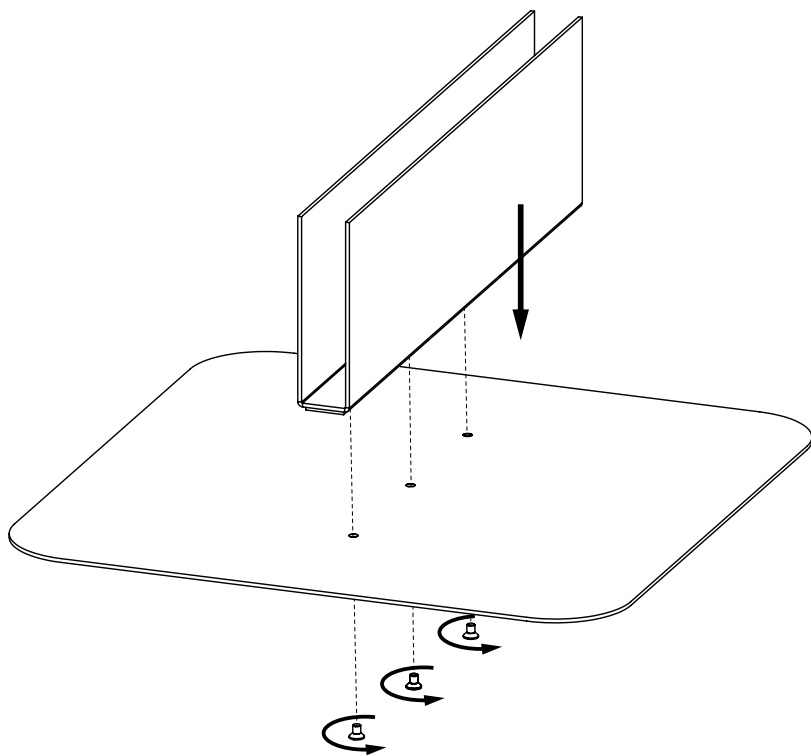


# BuzziScreen + BuzziFoot (optional)

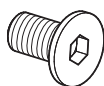
2 PERS. 



1



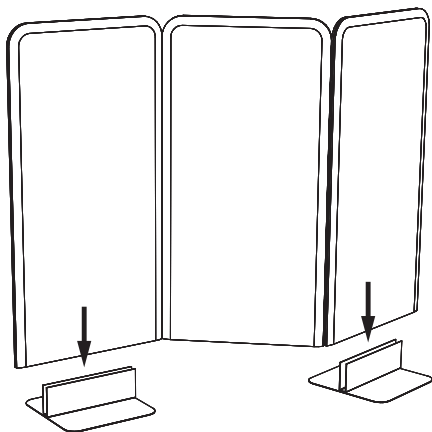
3X



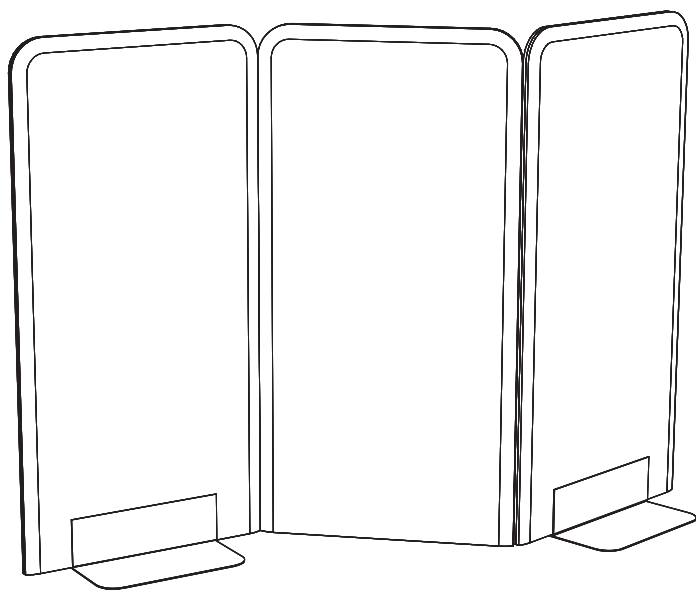
4mm



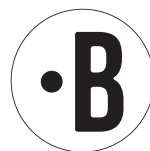
**2**



**3**



BuzziSpace  
Groeningenlei 141  
2550 Antwerp, Kontich  
Belgium  
☎ +32 (0)3 846 10 00  
✉ info@buzzi.space  
🌐 www.buzzi.space



Doc nr.: A-0000001567/1  
Last update:05/03/2021