
BuzziDesk

Product Specification Sheet

This document contains technical information about the BuzziDesk



www.buzzi.space



Desk divider screen with metal profile

Not only does the BuzziDesk safeguard your privacy at work; it keeps out your colleagues' irritating telephone or computer sounds as well. This workspace divider also hides your cable clutter and computer screen in an orderly fashion. It is easy to install in any office, and with its tactile appearance and colorful tint it will make every working day feel like a party!

Design by Sas Adriaenssens

General


 BuzziDesk


Cover: BuzziFelt

Core: honeycomb cardboard

 Profile: metal


Stitch: on Felt / Fabric: Always OffWhite (except for BuzziDesk OffWhite, Natural, Ivory → Stitch Anthracite)

 Min. W 57 cm | W 22.44" H 34 cm | H 13.39"
Max. W 200 cm | W 78.74" H 80 cm | H 31.50"

 Dry use

 Flat Packed

Extra layer Fabric, Trevira CS+ | CS, Revive 1, Clara 2, Remix 3, Hero, Tonus 4, Memory 2

 Bicolor

Rounded or straight-angled

Certifications



Acoustics



Absorption



Diffusion



Attenuation



Mid tone

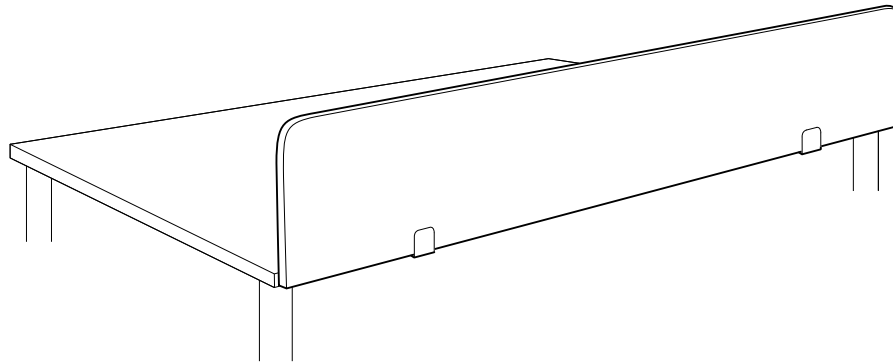


High tone

Content

Configurations	3	Dimensions	10
BuzziFix overview	5	Acoustics	14
Fabrics	7		

Configurations



📌 BuzziDesk

Cover: BuzziFelt

Core: honeycomb cardboard

🌲 Profile: metal

Stitch: on Felt / Fabric: Always OffWhite (except for BuzziDesk OffWhite, Natural, Ivory > Stitch Anthracite)

D: 3,5 cm | 1.38"

✂ Min. W 57 cm | W 22.44" H 34 cm | H 13.39"
Max. W 200 cm | W 78.74" H 80 cm | H 31.50"

Width

Weight Profile + Weight cardboard + Felt

≥ 57 cm	< 77 cm	0,65 kg	3,30 kg/m ²
≥ 22.44"	< 30.32"	1.43 lbs	0.68 lbs/ft ²
≥ 77 cm	< 107 cm	0,75 kg	3,30 kg/m ²
≥ 30.32"	< 42.13"	1.65 lbs	0.68 lbs/ft ²
≥ 107 cm	< 137 cm	0,90 kg	3,30 kg/m ²
≥ 42.13"	< 53.94"	1.98 lbs	0.68 lbs/ft ²
≥ 137 cm	< 157 cm	1,15 kg	3,30 kg/m ²
≥ 53.94"	< 61.81"	2.54 lbs	0.68 lbs/ft ²
≥ 157 cm	< 177 cm	1,25 kg	3,30 kg/m ²
≥ 61.81"	< 69.69"	2.76 lbs	0.68 lbs/ft ²
≥ 177 cm	< 200 cm	1,35 kg	3,30 kg/m ²
≥ 69.69"	< 78.74"	2.98 lbs	0.68 lbs/ft ²

For Example:

BuzziDesk W 160 cm H 40 cm → 1,25 kg + (0,64 m² x 3,30 kg/m² = 2,11 kg) = 3,36 kg in total

BuzziDesk W 62.99" H 15.75" → 2.76 lbs + (6.89 ft² x 0.68 lbs/ft² = 4.69 lbs) = 7.45 lbs in total

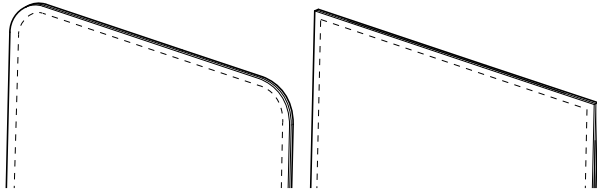
Extra layer Fabric, Trevira CS+ | CS, Revive 1, Clara 2, Remix 3, Hero, Tonus 4, Memory 2

... Bicolor

Rounded or straight-angled

Round or straight edges

- Round or straight edges
- Stitch on Felt / Fabric: Always OffWhite (except for BuzziDesk OffWhite, Natural, Ivory → Stitch Anthracite)



BuzziFix Overview

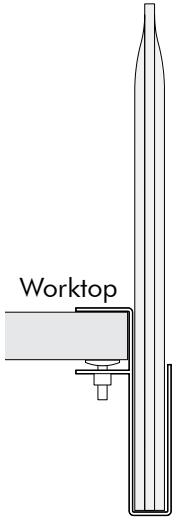

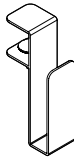

BuzziFix is available in powder coated metal Black (RAL 9005), White (RAL 9010) or Alu (RAL 9006)

Use 2 pcs/BuzziDesk except for BuzziFix Foot: 1 pc/BuzziDesk

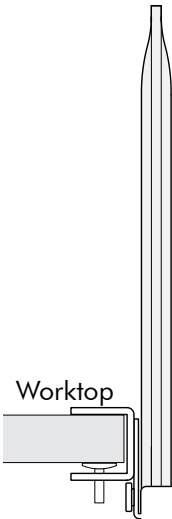
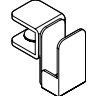
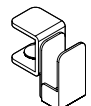
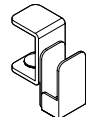
Thin: 0,3 cm | 0.12" metal thickness

Bold: 0,6 cm | 0.24" metal thickness

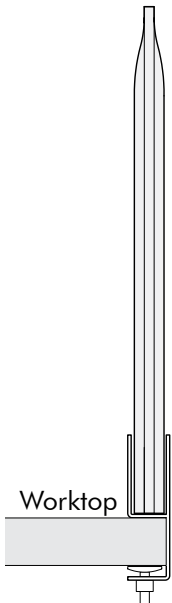
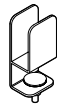
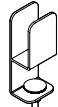
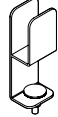
Thin F L | F L-Plus | F XL

	<p>L</p> <p>Worktop: 12 > 27 mm 0.47" > 1.06"</p>	
	<p>L-Plus</p> <p>Worktop: 18 > 43 mm 0.71" > 1.69"</p>	
	<p>XL</p> <p>Worktop: 28 > 57 mm 1.10" > 2.24"</p>	

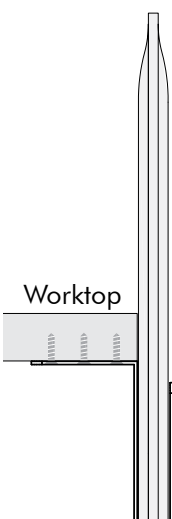
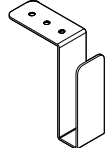
Bold L | L-Plus | XL

	<p>L</p> <p>Worktop: 12 > 27 mm 0.47" > 1.06"</p>	
	<p>L-Plus</p> <p>Worktop: 18 > 43 mm 0.71" > 1.69"</p>	
	<p>XL</p> <p>Worktop: 28 > 57 mm 1.10" > 2.24"</p>	

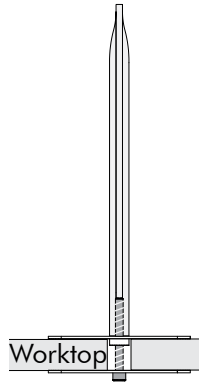
Thin Y L | L-plus | XL

	<p>L</p> <p>Worktop: 12 > 27 mm 0.47" > 1.06"</p>	
	<p>L-Plus</p> <p>Worktop: 18 > 43 mm 0.71" > 1.69"</p>	
	<p>XL</p> <p>Worktop: 28 > 57 mm 1.10 > 2.24"</p>	

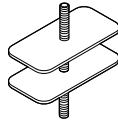
Thin U

	<p>Excl. screws</p>	
---	---------------------	---

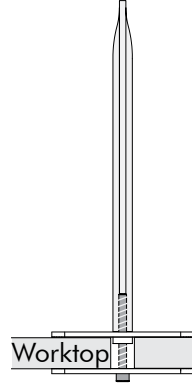
Twin Light



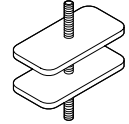
Worktop: Max. 45 mm
1.77"



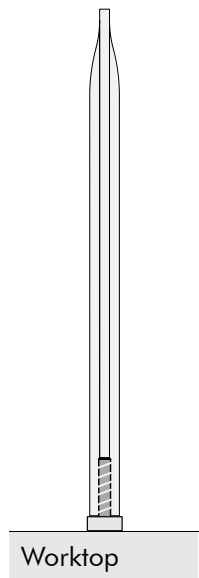
Twin Bold



Worktop: Max. 45 mm
1.77"



Magnet Bold

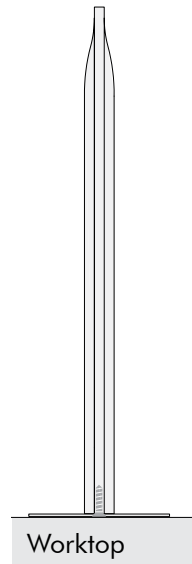


For metal surface

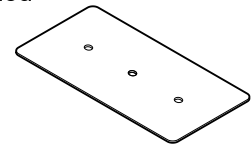
Optional metal desk
mounting plate. To be
screwed or taped on a
surface.



Foot



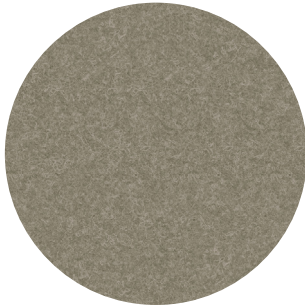
3x Screws included
(M6 x 20)



Magnet & Foot only to be used for BuzziDesk: H ≤ 40 cm | 15.75" and W ≤ 160 cm | 62.99"

Fabrics

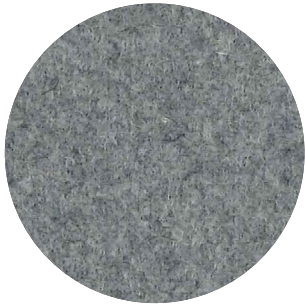
Felt



Composition 100% Recycled PE.T. Felt, latex backing
Weight 1.000 g/m² | 29.49 oz/yd²
Abrasion resistance >7.000 Martindale
Flammability EU: EN 13501.1 + A1/2009 Class B-s1,d0
USA: ASTM E84 Class A certified
Fastness to light USA 5



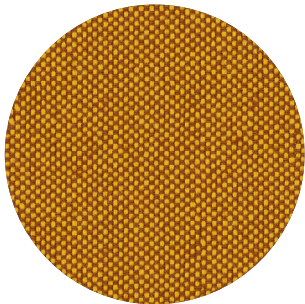
Fabric



Category A
Composition 70% Recycled Wool, 25% Recycled Polyacryl,
5% Recycled Other Fabrics
Weight 405 g/m² | 11.94 oz/yd²
Abrasion resistance 40.000 Martindale, 50,000 Wyzenbeek
Flammability EU: EN 1021.1/2006 | BS EN 1021.1/2006 (cigarette).
EN 1021.2/2006 | BS EN 1021.2/2006 (match)
USA: CAL TB 117 | ASTM E84 CLASS A
Fastness to light EU: 4 | USA 4
Fastness to rubbing EU: Wet 3-4 | Dry 4-5
Fastness to crocking USA: Wet 5 | Dry 5



Trevira CS+ | CS

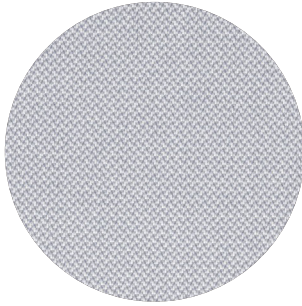


Category A
Weight 420 g/m² | 12.39 oz/yd²
Composition 100% Polyester, Trevira CS
Abrasion resistance 100.000 Martindale, 90,000 Wyzenbeek
Flammability BS 5852 part II: CRIB 5 | BS 7176 Medium Hazard
USA: CAL TB 117 | M1 | B1 | EN 1021/1-2 | C1 |
IMO Res. A652 (16)
Fastness to light EU: 6 | USA 5
Fastness to rubbing EU: Wet 4-5 | Dry 4-5
Fastness to crocking USA: Wet 5 | Dry 5



Revive 1

kvadrat



Category A

Composition 100% recycled polyester FR

Weight 430 g/lin.m

Abrasion resistance 60.000 Martindale rubs, EN ISO 12947

Flammability EN 1021-1/2 | DIN 4102 B1 | Önorm B1/Q1
UNI 9175 1IM | US Cal. Tech. Bull. 117
IMO A.652 (16)

Fastness to light Note 5-7, ISO 105-B02

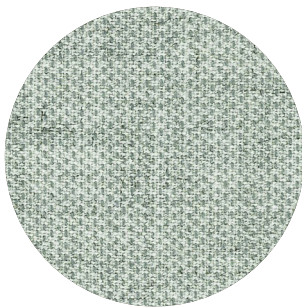
Fastness to rubbing (ISO) dry 5, wet 4-5

Pilling Note 4-5, EN ISO 12945



Clara 2

kvadrat



Category B

Composition 92% new wool, 8% nylon

Weight 400 g/lin.m

Abrasion resistance 80.000 Martindale rubs, EN ISO 12947

Flammability EN 1021-1/2 | BS 5852, ignition source 2-3 | DIN 4102 B2
NF D 60 013 | UNI 9175 1IM | US Cal. Tech. Bull. 117, Sec. E
NFPA 260 | IMO A.652(16)

Fastness to light Note 5-7, ISO 105-B02

Fastness to rubbing (ISO) dry 4-5, wet 4

Pilling Note 4, EN ISO 12945



Remix 3

kvadrat



Category B

Composition 90% new wool, 10% nylon

Weight 415 g/lin.m

Abrasion resistance 100.000 Martindale rubs, EN ISO 12947

Flammability EN 1021-1/2 | BS 5852 part 1
Önorm B1/Q1 | NF D 60 013 | UNI 9175, 1IM
AS/NZS 1530.3 | Cal. Tech. Bull. 117-2013
NFPA 260 | IMO FTP Code 2010:Part 8

Fastness to light Note 5-7, ISO 105-B02

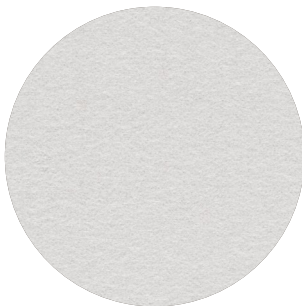
Fastness to rubbing (ISO) dry 4-5, wet 4

Pilling Note 4, EN ISO 12945



Hero

kvadrat



Category C

Composition 96% new wool, 4% nylon

Weight 580 g/lin.m

Abrasion resistance 45.000 Martindale rubs, EN ISO 12947

Flammability EN 1021-1/2 | DIN 4102 B2 | NF D 60 013
UNI 9175 1IM | US Cal. Bull. 117-2013 | NFPA 260
IMO A.652 (16)

Fastness to light Note 5-6, ISO 105-B02

Fastness to rubbing (ISO) dry 4-5, wet 4-5

Pilling Note 3-4, EN ISO 12945



Tonus 4

kvadrat



Category D

Composition 90% new wool, 10% Helanca

Weight 665 g/lin.m

Abrasion resistance 100.000 Martindale rubs, EN ISO 12947

Flammability EN 1021-1/2 | BS 5852 part 1 | DIN 4102 B2

Önorm B1/Q1 | NF D 60 013 | UNI 9175 11M

US Cal. Bull. 117-2013 | NFPA 260 | IMO A.652 (16)

Fastness to light Note 5-7, ISO 105-B02

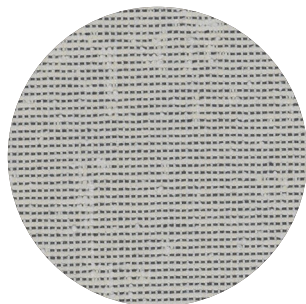
Fastness to rubbing (ISO) dry 3-5, wet 3-5

Pilling Note 3, EN ISO 12945



Memory 2

kvadrat



Category E

Composition 100% Trevira CS

Weight 700 g/lin.m

Abrasion resistance

35.000 rubs acc. to the Martindale method, EN ISO 12947

Flammability EN 1021-1/2 | DIN 4102 B1 | Önorm B1/Q1

NF D 60 013 | NF P 92 507 M1 | UNI 9175 11M

UNI 9177 classe 1 | US Cal. Tech. Bull. 117

IMO A.652 (16)

Fastness to light Note 5-8, ISO 105-B02

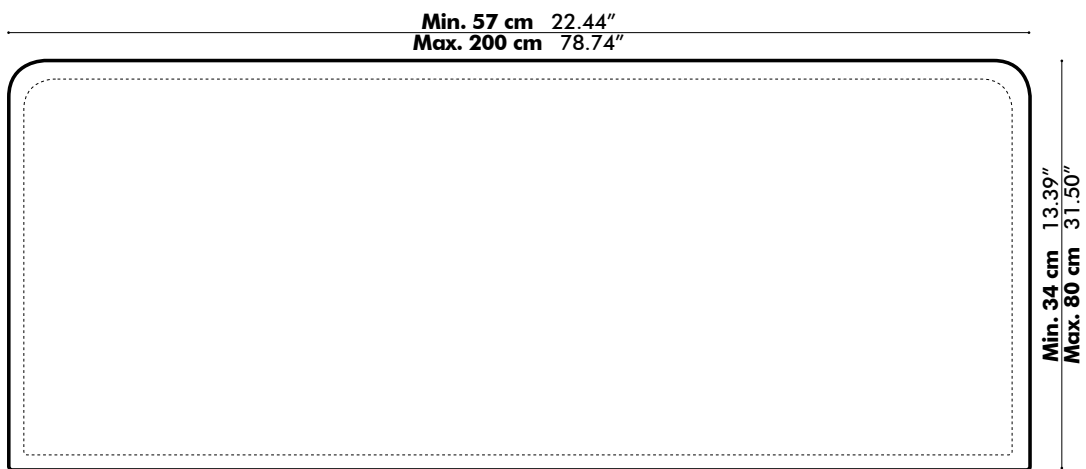
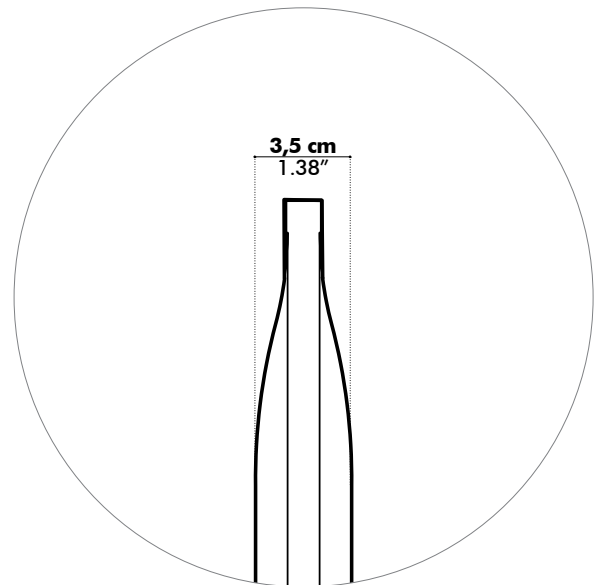
Fastness to rubbing (ISO) dry 4-5, wet 4-5

Pilling Note 4, EN ISO 12945

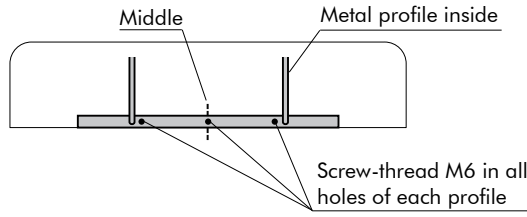


Dimensions

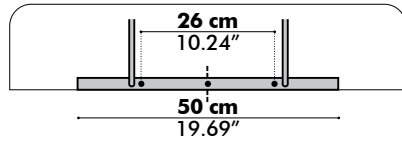
Desk



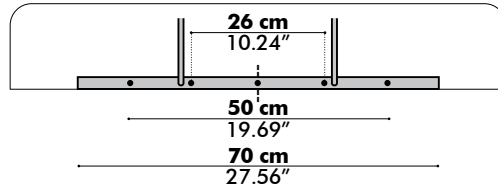
Profiles



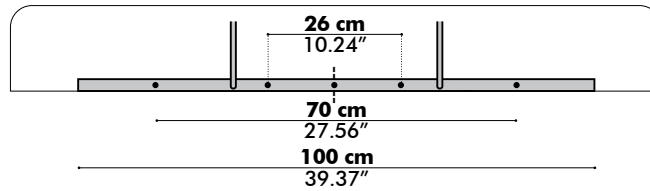
BuzziDesk
 W: $\geq 57 \text{ cm}$ < 77 cm
 W: $\geq 22.44''$ < $30.31''$



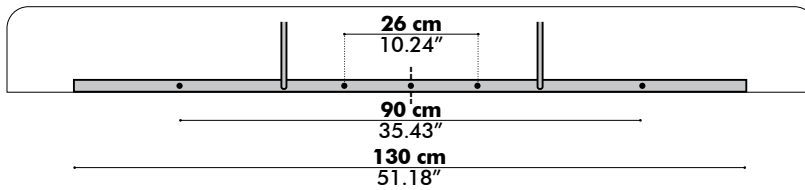
BuzziDesk
 W: $\geq 77 \text{ cm}$ < 107 cm
 W: $\geq 30.31''$ < $42.13''$



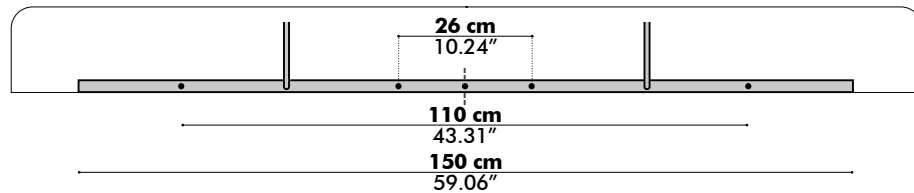
BuzziDesk
 W: $\geq 107 \text{ cm}$ < 137 cm
 W: $\geq 42.13''$ < $53.94''$



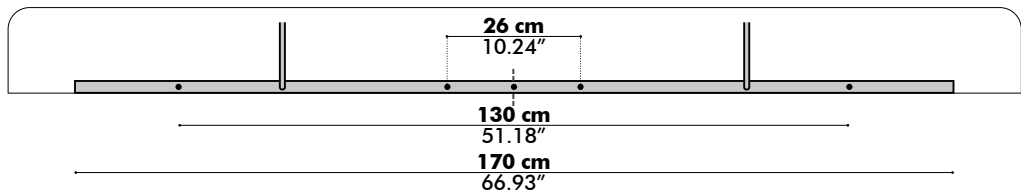
BuzziDesk
 W: $\geq 137 \text{ cm}$ < 157 cm
 W: $\geq 53.94''$ < $61.81''$



BuzziDesk
 W: $\geq 157 \text{ cm}$ < 177 cm
 W: $\geq 61.81''$ < $69.69''$



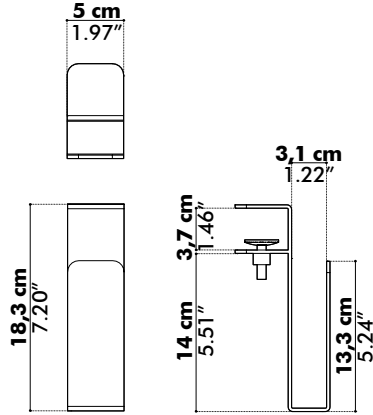
BuzziDesk
 W: $\geq 177 \text{ cm}$ < 200 cm
 W: $\geq 69.69''$ < $78.74''$



BuzziFix

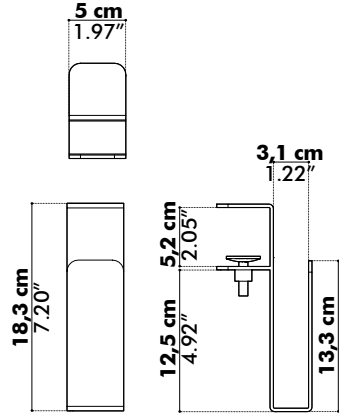
Thin (metal thickness 0,3 cm | 0.12")

F L



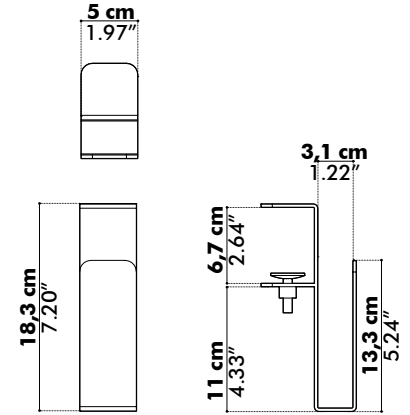
540 g/pc | 1.19 lbs/pc

F L-Plus



540 g/pc | 1.19 lbs/pc

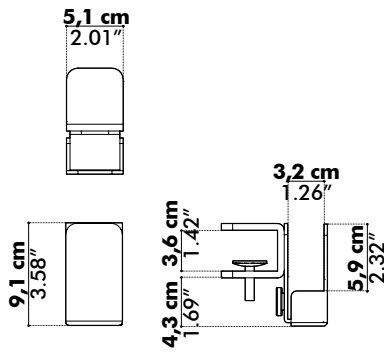
F XL



540 g/pc | 1.19 lbs/pc

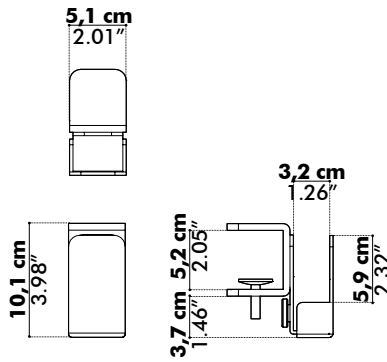
Bold (metal thickness 0,5 cm | 0.20")

L



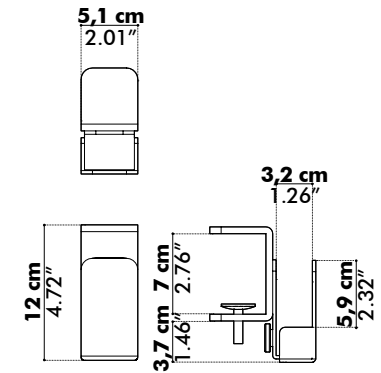
500 g/pc | 1.1 lbs/pc

L-Plus



694 g/pc | 1.53 lbs/pc

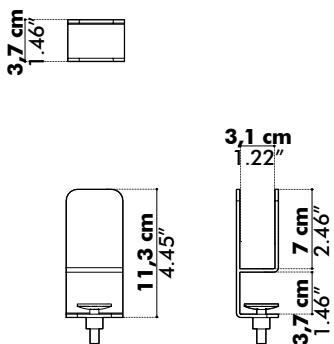
XL



780 g/pc | 1.72 lbs/pc

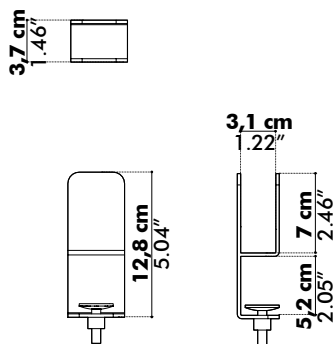
Thin (metal thickness 3 mm)

Y L



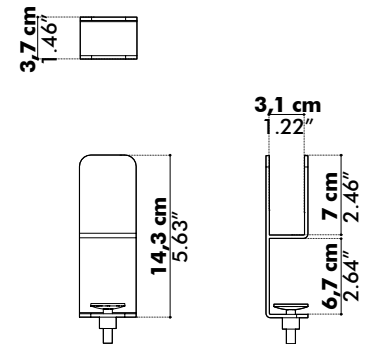
315 g/pc | 0.69 lbs/pc

Y L-Plus



325 g/pc | 0.72 lbs/pc

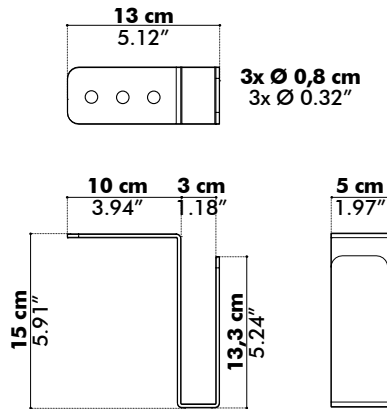
XL



350 g/pc | 0.77 lbs/pc

Thin (metal thickness 0,3 cm | 0.12")

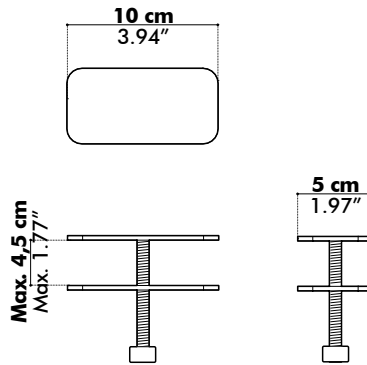
U



475 g/pc | 1.05 lbs/pc

Thin (metal thickness 0,2 cm | 0,07")

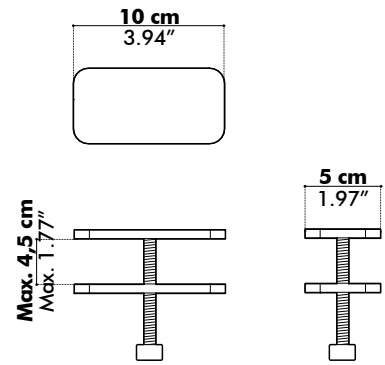
Twin



170 g/pc | 0.38 lbs/pc

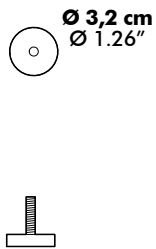
Bold (metal thickness 0,6 cm | 0.24")

Twin



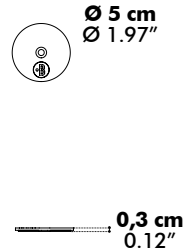
506 g/pc | 1.12 lbs/pc

Bold Magnet



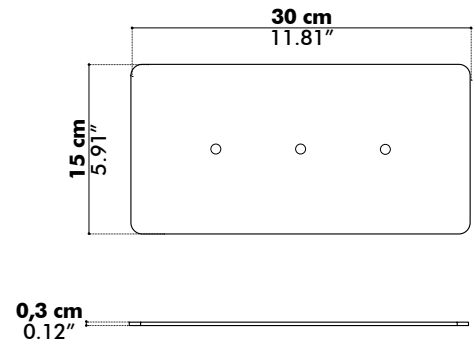
46 g/pc | 0.10 lbs/pc

Optional mounting plate for Bold Magnet



30 g/pc | 0.07 lbs/pc

Thin Foot

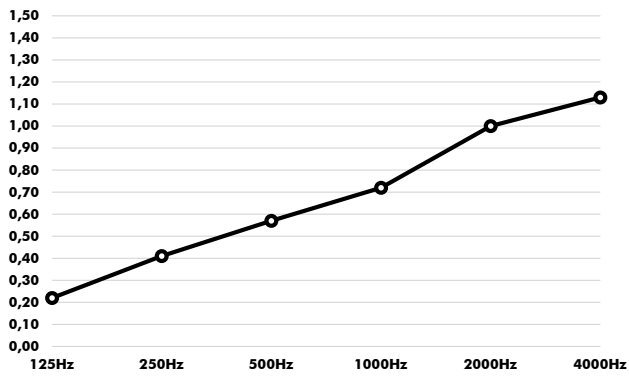


1600 g/pc | 3.53 lbs/pc

Acoustics

BuzziDesk

Equivalent sound absorption area in m² per object



Hz	Aeq/m ²
125	0,22
250	0,41
500	0,57
1000	0,72
2000	1
4000	1,13