



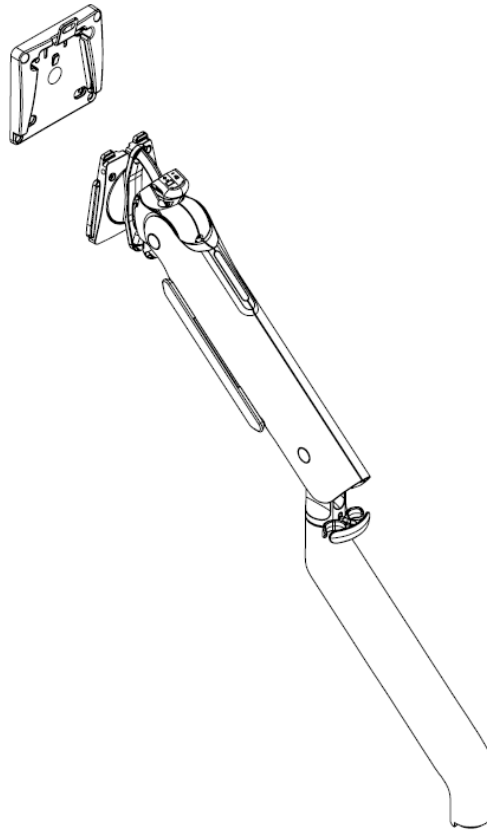
TECHNICAL SPECIFICATION SHEET

Flo X Monitor Arm

PRODUCT CODE: FLX/018/010

Doc Rev 2

04.11.22 KO



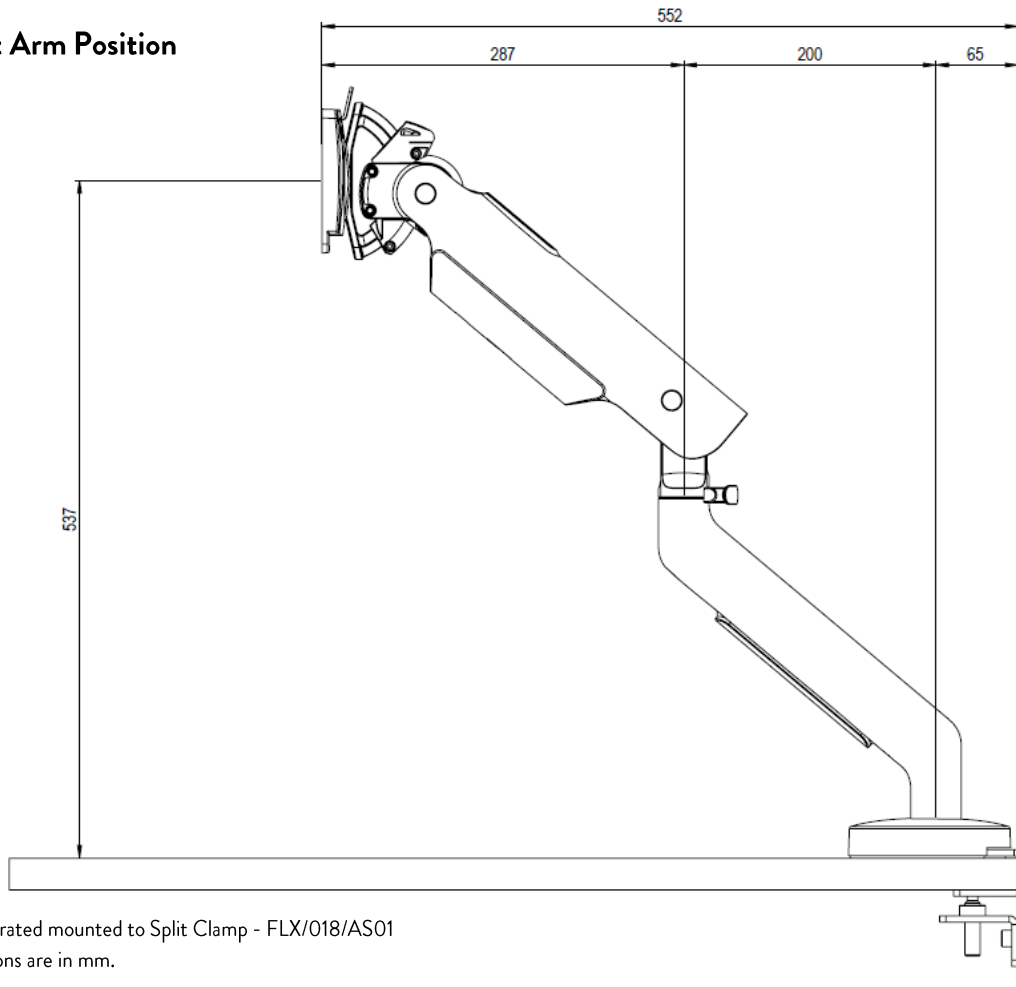
KEY FEATURES

- Designed to mount larger format / heavier displays (up to 18kg) including curved screens
- Innovative dual spring technology offers unparalleled smoothness of movement
- Spring system can be configured to suit lower weight range (down to 3kg) if required
- Next generation D-ring tilt offers adjustment to mount a range of screen formats, including curved screens
- Portrait-to-landscape screen adjustment
- Weight gauge reduces installation time for multiple installations
- Integrated cable management system

Load support range:	3kg to 18kg (For monitors below 9kg arm should be configured to single-spring mode) *
Horizontal reach:	612mm max
Vertical reach:	537mm max (to centre of VESA mount)
Vertical motion range:	328mm dynamic motion
Tilt range:	30° upwards, 10° downwards
VESA compatibility:	VESA 100 & VESA 75
Recycled content:	55%
Total product recyclable:	100%

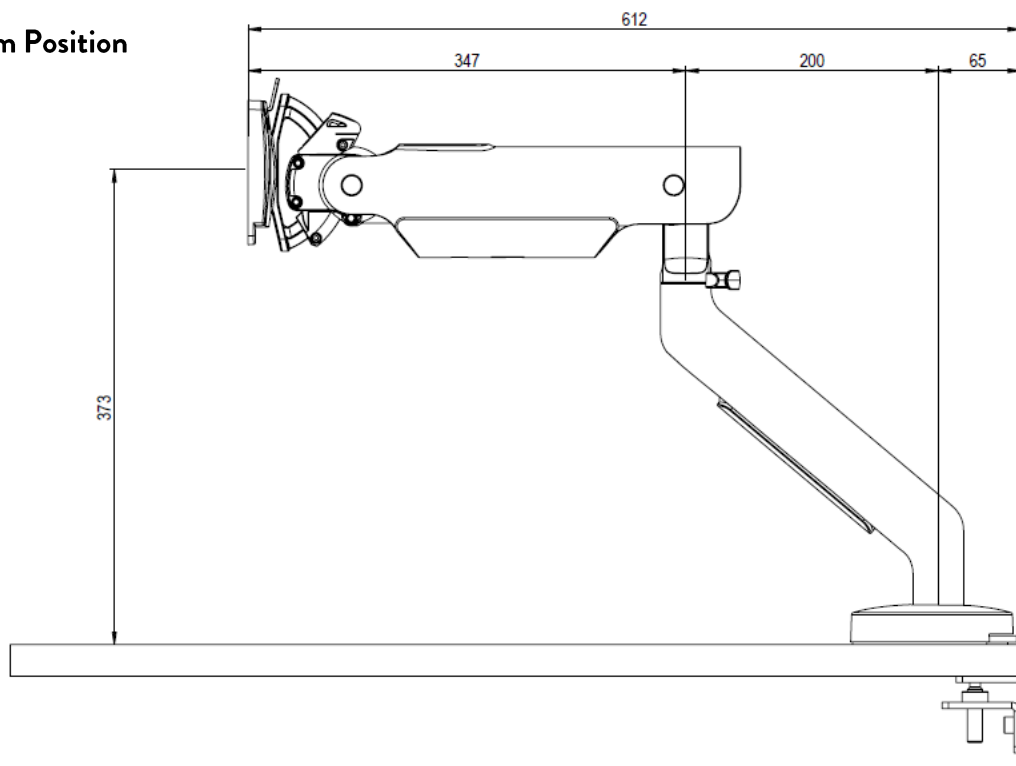
Maximum Reach Dimensions

Highest Arm Position

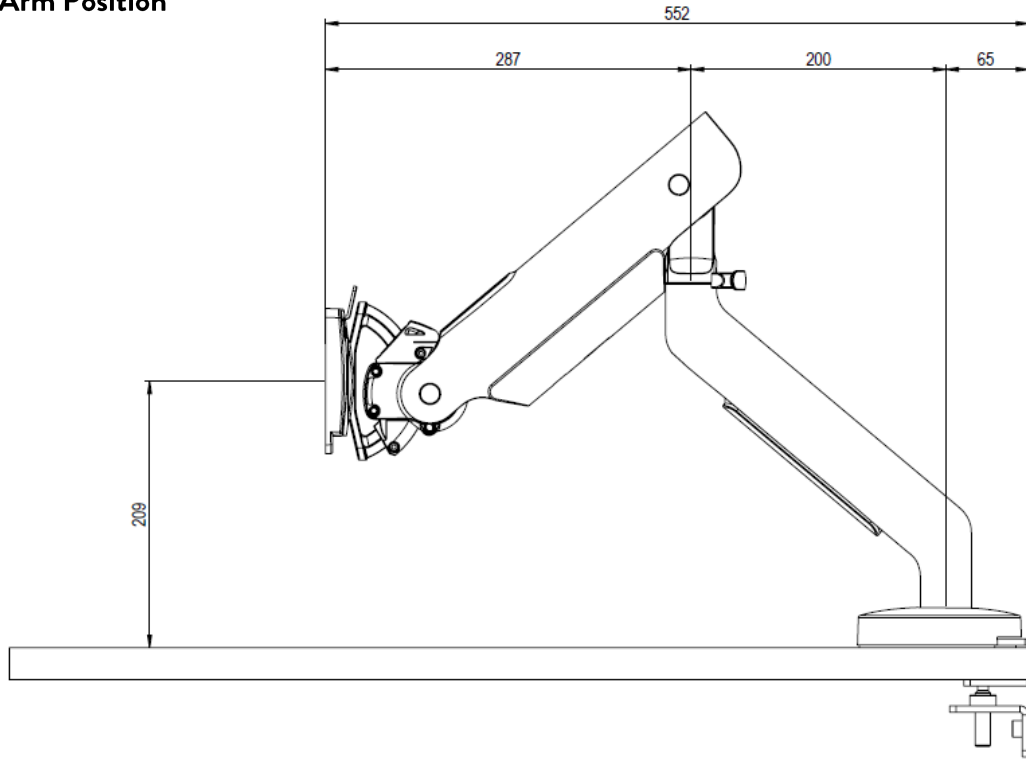


Arm is illustrated mounted to Split Clamp - FLX/018/AS01
All dimensions are in mm.

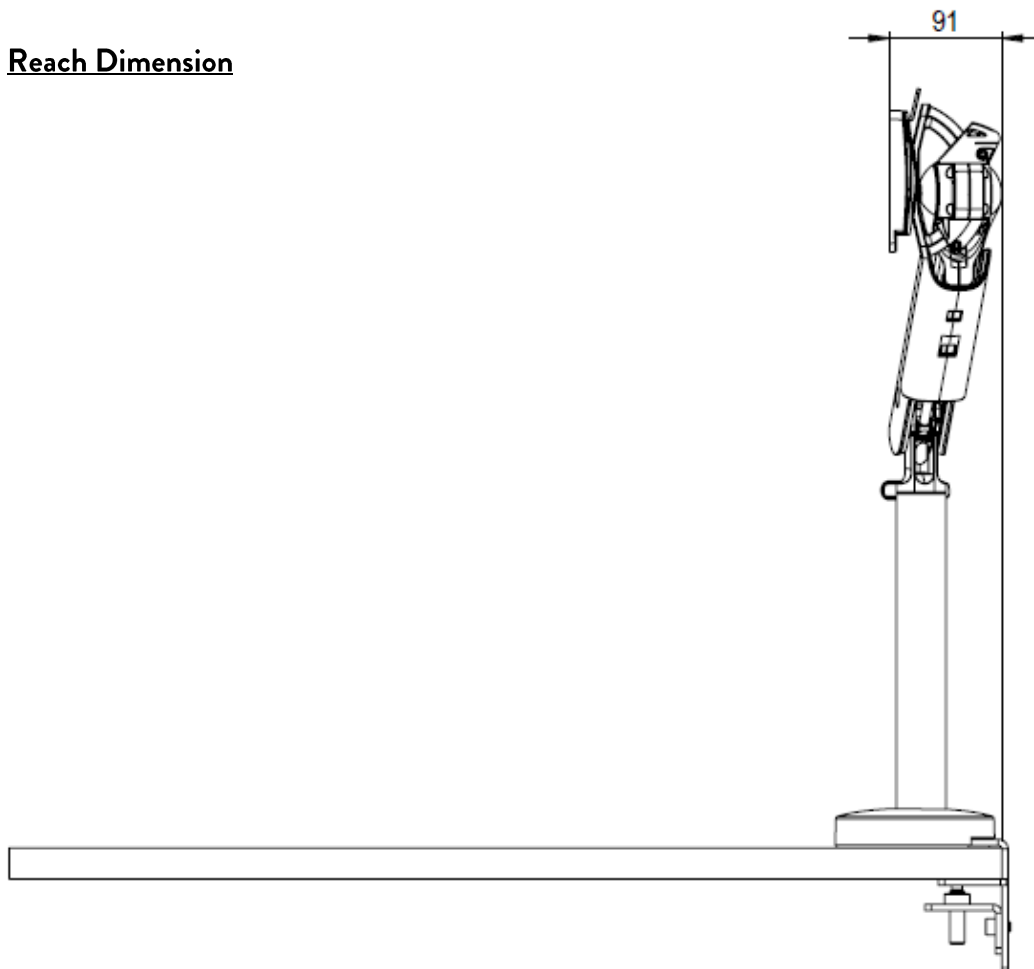
Mid Arm Position



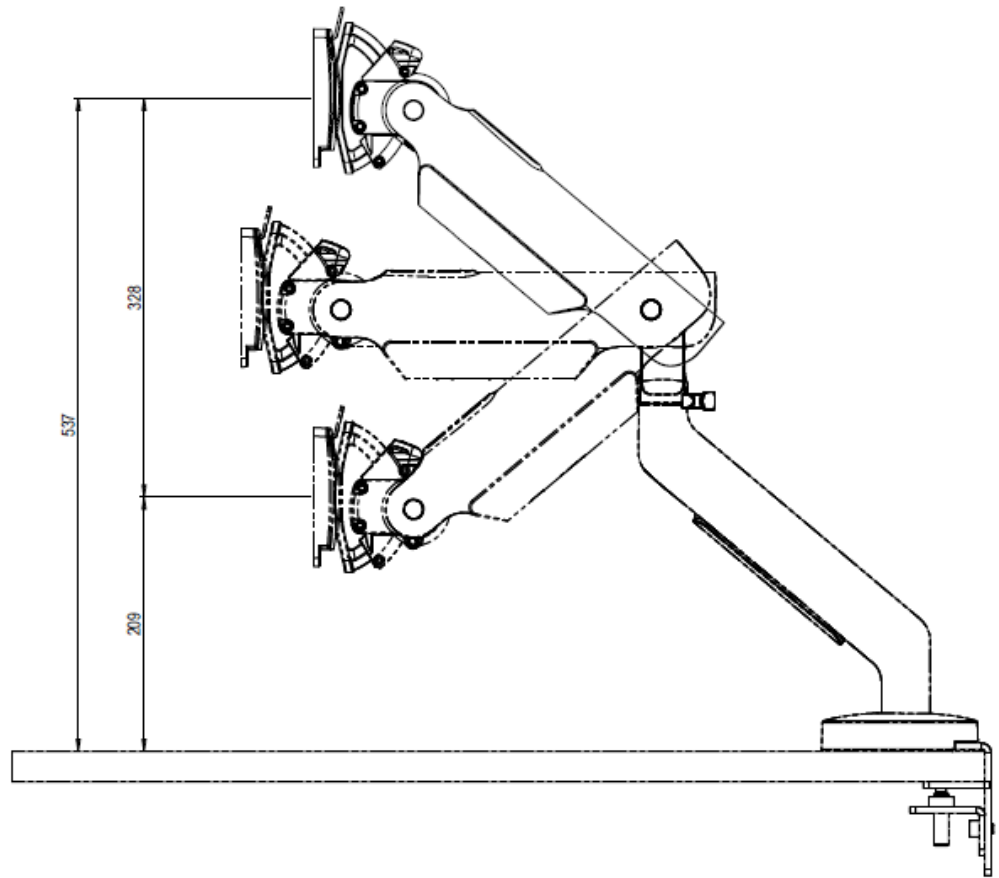
Lowest Arm Position



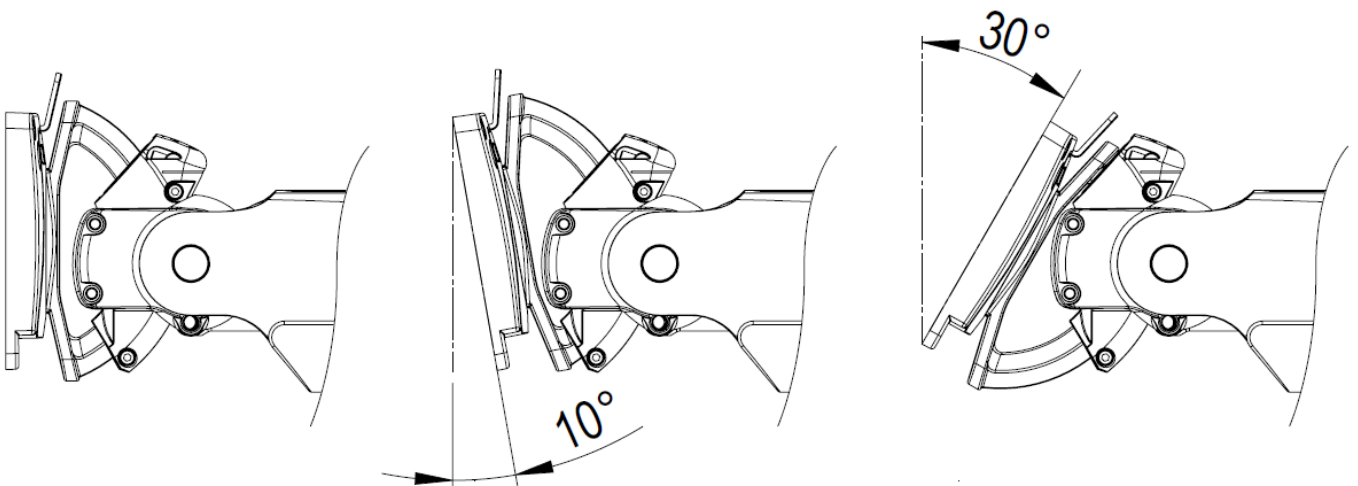
Minimum Reach Dimension



Height Adjustment Range



VESA Mount Tilt Range



LOGISTICAL

Box contains	Monitor arm & VESA plate (incl. mount screws), Allen keys, instructions
Product net weight:	3.35kg
Box dims	170mm x 121mm x 797mm
Box gross weight	3.8kg
Master carton quantity	4
Master carton dims	355mm x 251mm x 807mm
Master carton weight	16kg
Country of origin	Italy

Note: Some logistical data is estimated and may be subject to future confirmation.

ORDERING INFORMATION

Product Description	Product Code	Colour
Flo X Monitor Arm	FLX/018/010/S	Silver
Flo X Monitor Arm	FLX/018/010/B	Black
Flo X Monitor Arm	FLX/018/010/W	White

WARRANTY

Warranty Term	12 years
----------------------	----------

COMPLIANCE & SAFETY CERTIFICATION

Whilst no mandatory standards apply to the monitor arm product sector, all Colebrook Bosson Saunders monitor arms have been designed with appropriate articulation features, dimensional range and adjustability to conform to the requirements of BS EN ISO 9241:5 1999 Ergonomic requirements for office work with visual display terminals (VDTs).

ENVIRONMENTAL

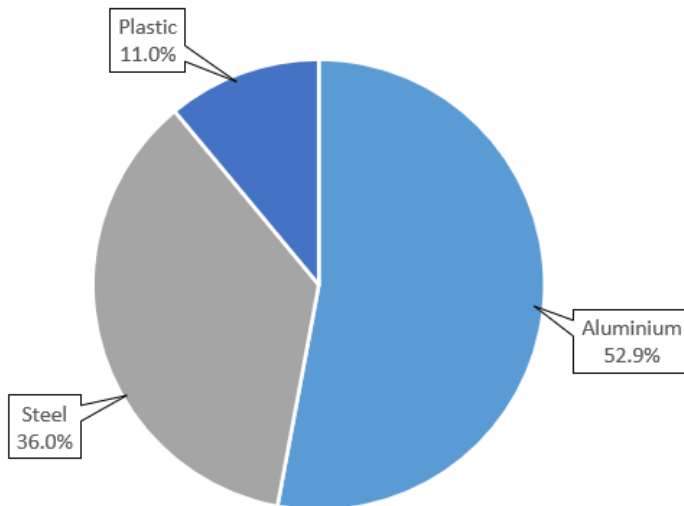
Material Make-up			Total Recycled Content	Breakdown of Recycled Content		Total Recyclable	
Overall Product			Overall Product	Overall Product		Overall Product	
Material type	Total Material type weight (g)	Percentage of Total Product Weight (%)	Material-Type Recycled Content (%)	Percentage PIR of total weight (%)	Percentage PCR of total weight (%)	Total Product Recyclable (g)	Total Product Recyclable (%)
Aluminium	1764.0	52.9%	50.3%	26.7%	23.6%	1764.0	52.9%
Steel	1201.0	36.0%	4.7%	0.8%	3.9%	1201.0	36.0%
Plastic	367.0	11.0%	0.0%	0.0%	0.0%	367.0	11.0%
Total	3332.0	100.0%	55.0%	27.5%	27.5%	3332.0	100.0%

Due to calculation rounding there may be some small variations in displayed percentage totals.

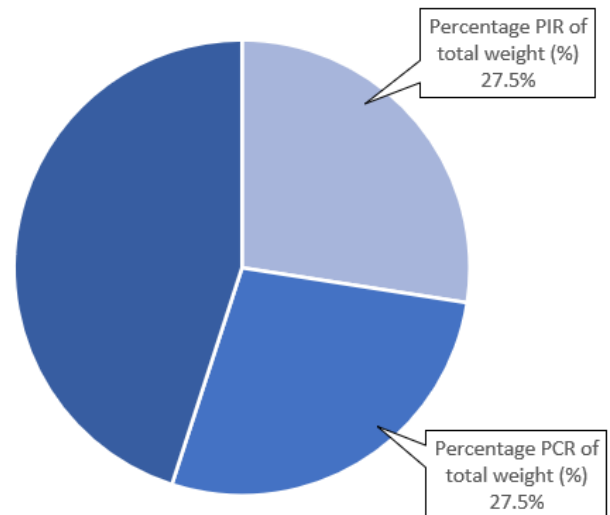
PIR = Post Industrial Recycled

PCR = Post Consumer Recycled

Total Product Weight (%)



Total Product Recycled Content (%)



CLEANING, STORAGE & MAINTENANCE

Routine servicing

Periodic inspection

Service components

Available to order

Cleaning & Maintenance

Damp cloth, no abrasives, no solvents to be used on the cosmetic surfaces

Handling & Storage

Do not drop or expose to moisture

While every effort is made to ensure the accuracy of our technical information, Colebrook Bosson Saunders (Products) Ltd accept no liability for the accuracy of the information contained in this document and reserve the right to modify the specifications or data contained herein without prior notification.