

viccarbe

Aleta Executive Lounge

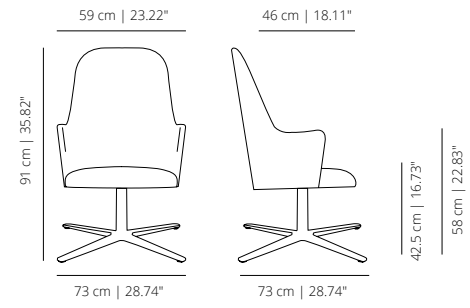
Designed by Jaime Hayon

Technical info - EN

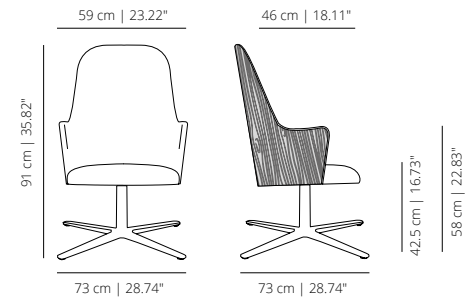
V01

FLAT SWIVEL BASE

ALEXBUPLA loung chair



ALEXBUPLARO loung chair with wooden backrest



FINISHES

Upholstery

[Check upholstery samples.](#)

LOUNGE CHAIR BACKREST OPTIONS

Standard backrest – Back of the backrest upholstered in the same finish as the lounge chair.

Back in leather, ecoleather or wood – Back of the backrest upholstered in leather, ecoleather or stained in oak veneer.



Upholstered



Back in wood



Back in leather/eco leather

BACKREST

Stained Wood



bleached
stained oak



matt
stained oak



cognac
stained oak



walnut
stained oak



ash
stained oak

STRUCTURE

Powder coated



white
RAL 9003



black
RAL 9005

OPTIONAL MECHANISMS



Tilting



Self-return

TECHNICAL INFO

Seat and backrest made of molded plywood covered with non-deformable fireproof expanded polyurethane of different densities.

Flat swivel base – Injected swivel aluminium base powder coated in thermoreinforced polyester in black or white microtexturized.

Black or translucent plastic glides, with or without felt available.

Tilting mechanism with locking and self-return mechanism are available options for this base.

NOTE: This collection offers the possibility of two-colour upholstery, with one colour for the seat and another for the back.

CERTIFICATES

ANSI BIFMA X6.4:2021 and UNE-EN 16139:2013vc2015

Let's talk

We want to help you find the best designs for your project. Contact us and our team will get back to you as soon as possible.

+ CONTACT US