

**viccarbe**

# Cambio

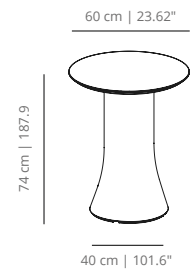
---

Designed by Victor Carrasco

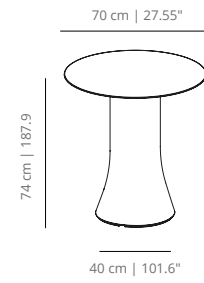
Technical info - EN

V01

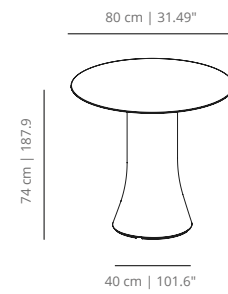
**CAD60**  
table round 60 | 23<sup>3</sup>/<sub>8</sub>



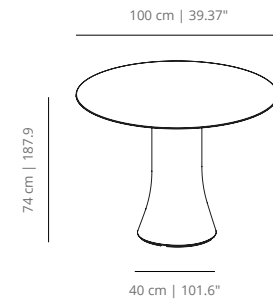
**CAD70**  
table round 70 | 27<sup>6</sup>/<sub>16</sub>



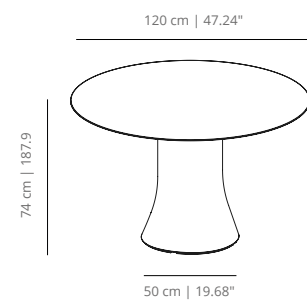
**CAD80**  
table round 80 |



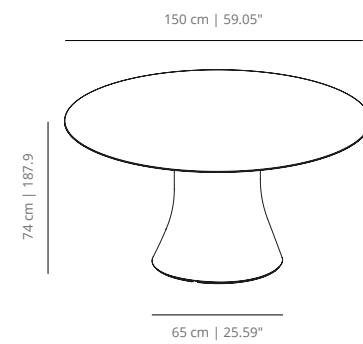
**CAD100**  
table round 100 | 39<sup>3</sup>/<sub>8</sub>



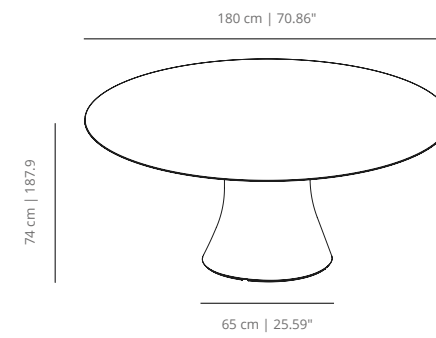
**CAD120**  
table round 120 | 47<sup>1</sup>/<sub>4</sub>



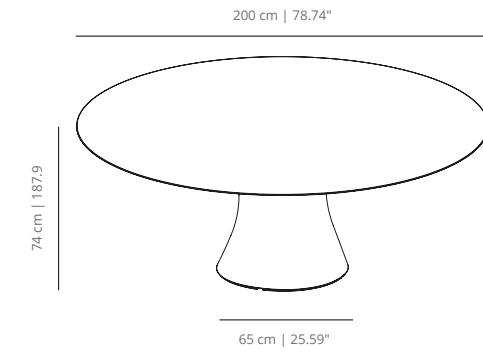
**CAD150**  
table round 150 | 59<sup>1</sup>/<sub>16</sub>



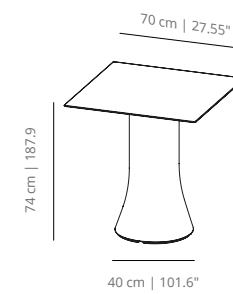
**CAD180**  
table round 180 | 70<sup>5</sup>/<sub>64</sub>



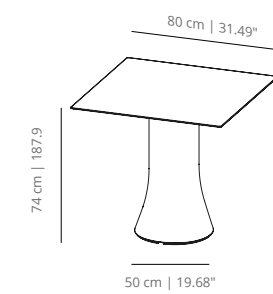
**CAD200**  
table round 200 | 78<sup>4</sup>/<sub>64</sub>



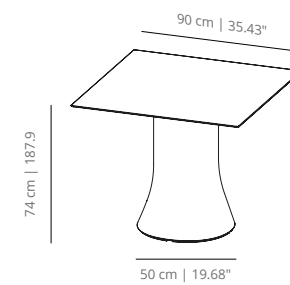
**CAC70**  
table 70x70 | 27<sup>9</sup>/<sub>16</sub> x 27<sup>9</sup>/<sub>16</sub>



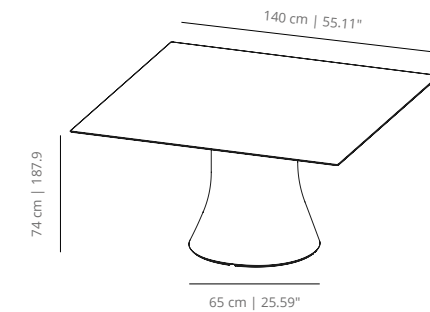
**CAC80**  
table 80x80 | 31<sup>1</sup>/<sub>20</sub> x 31<sup>1</sup>/<sub>20</sub>



**CAC90**  
table 90x90 | 35<sup>7</sup>/<sub>16</sub> x 35<sup>7</sup>/<sub>16</sub>



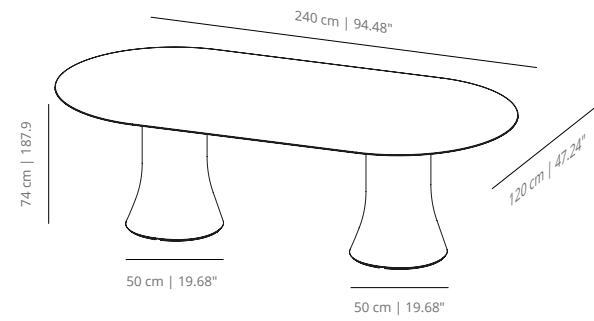
**CAC140**  
table 140x140 | 55<sup>1</sup>/<sub>8</sub> x 55<sup>1</sup>/<sub>8</sub>



CAMBIO HEIGHT 74 | 29<sup>1</sup>/<sub>4</sub>

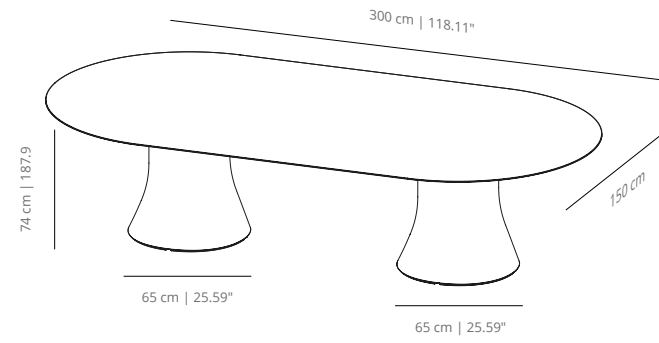
**CAC240**

table 240x120 | 91<sup>31</sup>/<sub>64</sub>x47<sup>1</sup>/<sub>4</sub>



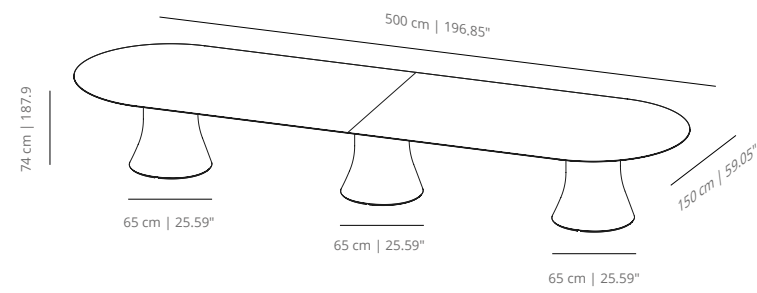
**CAC300**

table 300x150 | 118<sup>7</sup>/<sub>64</sub>x59<sup>1</sup>/<sub>64</sub>

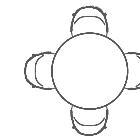


**CAC500**

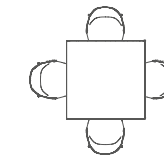
table 500x150 | 196<sup>27</sup>/<sub>32</sub>x59<sup>1</sup>/<sub>64</sub>



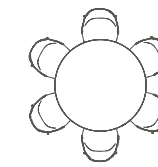
SEATING CAPACITY



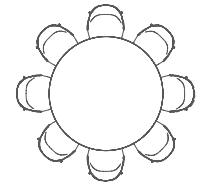
**Up to 4**  
D60 - D100 cm | D23.6" - D39.4"



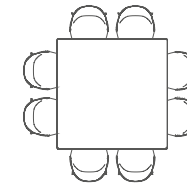
**Up to 4**  
70x70 - 90x90 cm | 27.6x27.6" - 35.4x35.4"



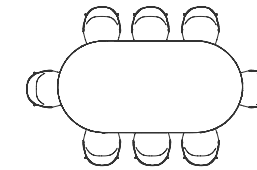
**Up to 6**  
D120 cm | D47.24"



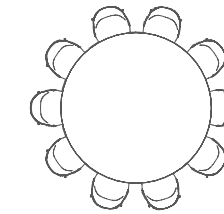
**Up to 8**  
D150 - D180 cm | D59" - D70.9"



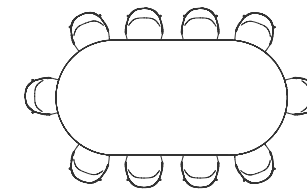
**Up to 8**  
140x140 cm | 55.1x55.1"



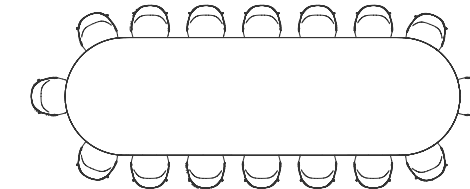
**Up to 8**  
240x120 cm | 94.5x47.24"



**Up to 10**  
D200 cm | D78.74"



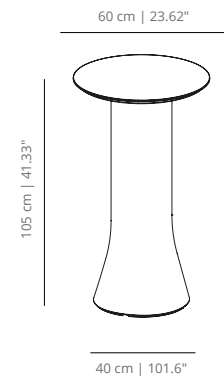
**Up to 10**  
300x150 cm | 118.1x59.1"



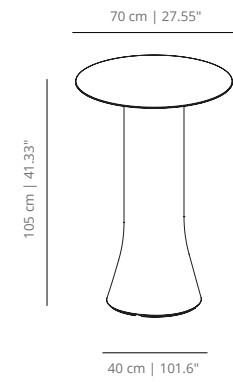
**Up to 16**  
500x150 cm | 196.85x59.1"

*\*Seats calculated using Aleta chair, might differ when choosing other models*

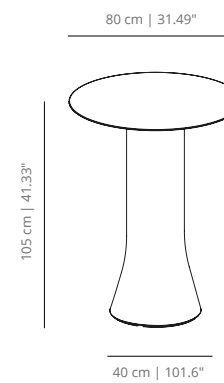
**CAD60H**  
table round 60 | 26<sup>5</sup>/<sub>8</sub>"



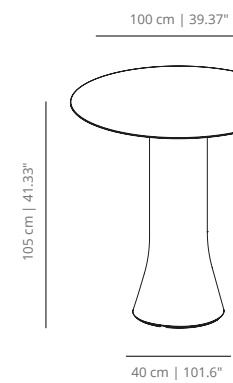
**CAD70H**  
table round 70 | 27<sup>9</sup>/<sub>16</sub>"



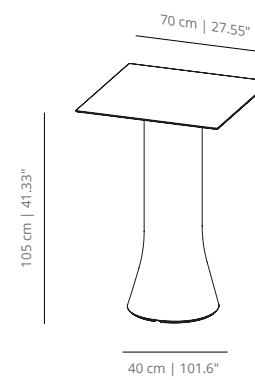
**CAD80H**  
table round 80 | 31<sup>1</sup>/<sub>2</sub>"



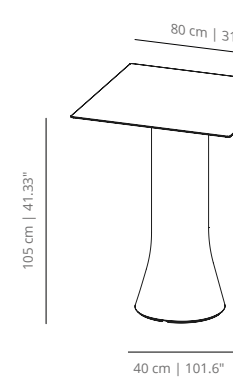
**CAD100H**  
table round 100 | 39<sup>3</sup>/<sub>8</sub>"



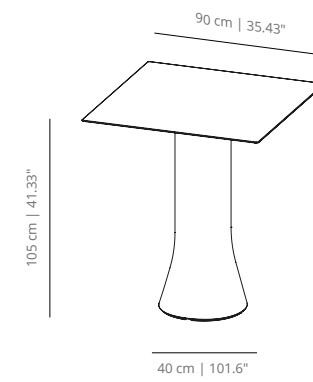
**CAC70H**  
table 70x70 | 27<sup>9</sup>/<sub>16</sub>"x27<sup>9</sup>/<sub>16</sub>"



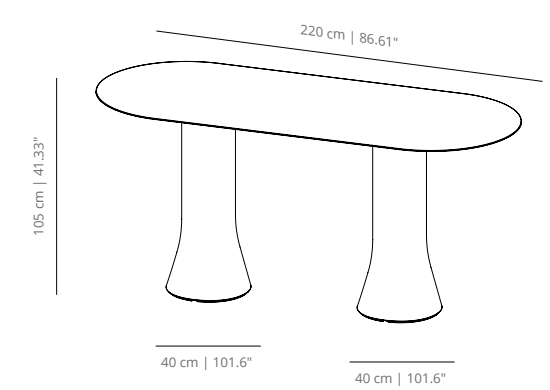
**CAC80H**  
table 80x80 | 31<sup>1</sup>/<sub>2</sub>"x31<sup>1</sup>/<sub>2</sub>"



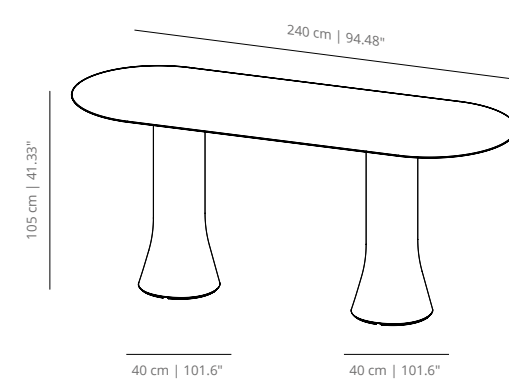
**CAC90H**  
table 90x90 | 35<sup>7</sup>/<sub>16</sub>"x35<sup>7</sup>/<sub>16</sub>"



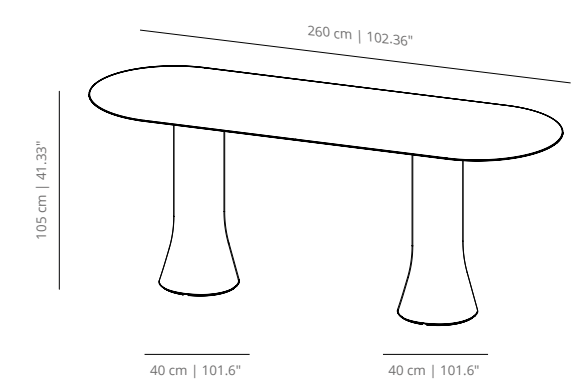
**CAC220H**  
table 220x900 | 86<sup>39</sup>/<sub>64</sub>"x354<sup>21</sup>/<sub>64</sub>"



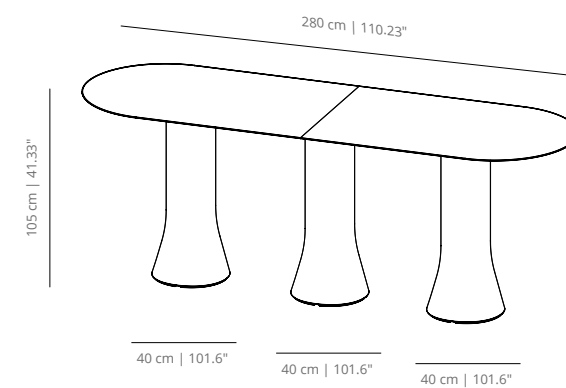
**CAC240H**  
table 240x900 | 94<sup>31</sup>/<sub>64</sub>"x354<sup>21</sup>/<sub>64</sub>"



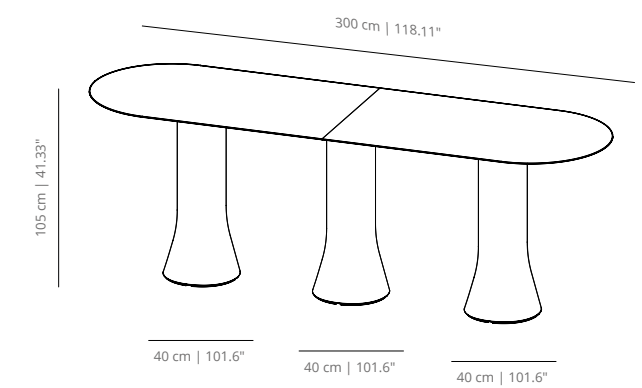
**CAC260H**  
table 260x900 | 102<sup>23</sup>/<sub>64</sub>"x59<sup>1</sup>/<sub>64</sub>"



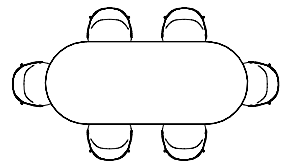
**CAC280H**  
table 280x900 | 110<sup>15</sup>/<sub>64</sub>"x59<sup>1</sup>/<sub>64</sub>"



**CAC300H**  
table 300x900 | 118<sup>7</sup>/<sub>64</sub>"x59<sup>1</sup>/<sub>64</sub>"

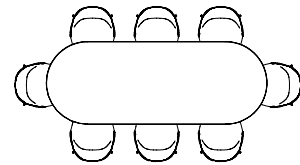


SEATING CAPACITY



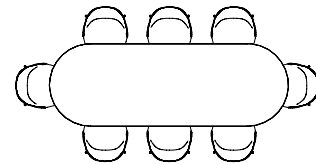
Up to 6

220x900 cm | 86.61"x35.43"



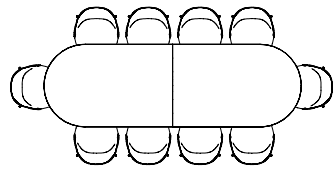
Up to 8

240x900 cm | 94.48"x35.43"



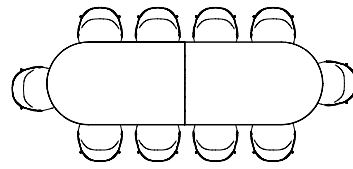
Up to 8

260x900 cm | 102.36"x35.43"



Up to 10

280x900 cm | 110.23"x35.43"



Up to 10

300x900 cm | 118.11"x35.43"

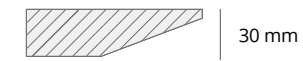
*\*Seats calculated using Aleta stool, might differ when choosing other models*

FINISHES

TABLETOPS MATERIALS

MDF - STAINED & LACQUERED

The 30 mm thick cover or work surface is made with microtextured MDF. It also comes with a solid oak veneer, stained in bleached oak, matt oak, cognac oak, walnut oak and ash oak.



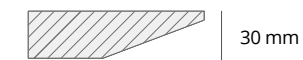
bleached stained oak    matt stained oak    cognac stained oak    walnut stained oak    ash stained oak



white RAL 9003    black RAL 9005    taupe RAL 1019    dusty green RAL 7034    olive green RAL 0904030    brick RAL 0505030    dusty pink RAL 0607020

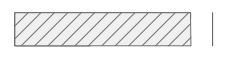
HPL WITH MDF

High pressure HPL laminate in black or white on a 30 mm thick MDF board with stained edges in transparent.



MELAMINE

Melamine (LPL) thickness 19 mm with 1,5 mm PVC edge, in black or white.



black | soft touch by FENIX®    white    black    white

COMPACT

12 mm thick compact laminated table top. The edge can be in black or white. With a black edge, the surface of the tabletop can be black or white; for a white edge, it can be white.



black    white

BASE OPTIONS

Central support available in roto-moulded polyethylene in white, black or taupe.



white RAL 9003      black RAL 9005      taupe RAL 1019

OUTDOOR FINISHES

TABLETOPS MATERIALS

COMPACT

12 mm thick compact laminated table top. The edge can be in black or white. With a black edge, the surface of the tabletop can be black or white; for a white edge, it can be white.



black      white

BASE OPTIONS

Central support available in roto-moulded polyethylene in white, black or taupe.



white RAL 9003      black RAL 9005      taupe RAL 1019

*NOTE: Outdoor cover available to protect the product from water, humidity and sunlight.*

ACCESSORIES & ELECTRIFICATIONS



**Cut out.** Table top custom cut out.



**Table top hatch plus.** Metallic hatch access to the lower part of the table for wooden table tops. Metal frame available in black or grey and central part in the veneer of the finish of the table. Does not include power options. Dimensions: 32x15 cm | 12.59"x5.90"



**Table top hatch.** Metallic hatch access to the lower part of the table. Available in white, black or grey. Does not include power options. Dimensions: 32x15 cm | 12.59"x5.90"



**Table top hatch powerbox.** Metallic hatch with 4 sockets or combined with built-in multimedia devices. Available in white, black or grey. Dimensions: 32x15 cm | 12.59"x5.90"



**Table top hatch powerbox.** Metallic hatch for wooden table tops with 4 sockets or combined with built-in multimedia devices. Metal frame available in black or grey and central part in the veneer of the finish of the table. Dimensions: 32x15 cm | 12.59"x5.90"



**USB port.** Built-in USB hub for charging electronic devices, built in the tabletop. The cable length is 1.0 m with USB connection. Available in black or white. Dimensions: Ø 3 cm | 1.18"



**Pop-up sockets.** Built-in pop-up socket cylinder made of stainless steel can have 2 Schuko sockets or 1 Schuko socket + 2 USB hubs. For different configurations, contact the sales department. The cylinder is hidden and pops up by gently pressing on it, offering the possibility of connection on four sides.



**USB hub with battery.** USB hub with two USB device charging ports without being plugged into electric current. It's needed to buy the battery charging tray to charge the USB hub battery.



**Under table powerbox.** Powerbox available with 2 sockets or combined with built-in multimedia devices.

## Let's talk

*We want to help you find the best designs for your project. Get in touch and our team will get back to you as soon as possible.*

+ CONTACT US