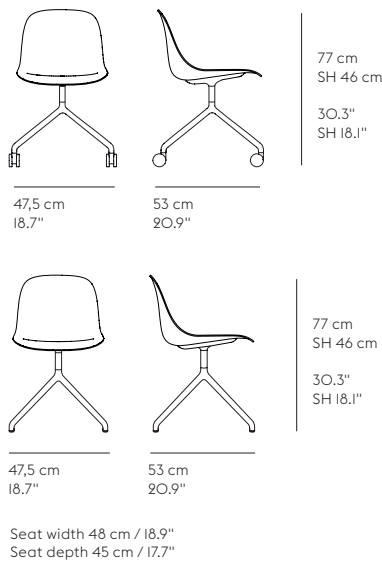




FIBER SIDE CHAIR — SWIVEL BASE & SWIVEL BASE W. CASTORS

ISKOS BERLIN ON THE DESIGN “One of the most difficult and noble disciplines of design is to create simple, well-functioning and almost ordinary objects that nevertheless have a strong identity. We designed Fiber Side Chair to do just that through a clear sculptural language that refuses to compromise on comfort. It’s a chair stripped of all unnecessary layers. The iconic form marries soft, embracing curves with an innovative wood fiber composite, giving Fiber Side Chair a unique expression and tactile texture.”



DESIGNED BY / YEAR OF DESIGN

Iskos-Berlin / 2016

ABOUT THE DESIGNER

Iskos-Berlin is a Copenhagen-based design duo that has made international headlines within furniture, industrial and graphic design. The studio, formerly known as Komplot Design has collaborated with some of the World’s most prestigious manufacturers and their furniture, lighting and other design products are exhibited at numerous design museums around the world including MoMA and the Designmuseum Denmark.

CATEGORY

Chair

ENVIRONMENT

Indoor

COUNTRY OF PRODUCTION

Poland

PREASSEMBLED

Yes

DESCRIPTION

The Fiber Side Chair brings a new perspective to the iconic shell chair through its innovative composite of plastic and wood fibers. Non-upholstered variants of the Fiber Side Chair are made from a combination of recycled plastic (min. 80% is recycled) and FSC™-certified wood fibers. The wood fibers blend into the surface for a matte finish and add a soft, inviting touch. The Fiber Side Chair is designed with friendly, embracing curves that provide extensive comfort to its user while taking up little space in the room.

At the end of its life, this product can be disassembled, supporting circularity. All non-upholstered versions of this product are marked with recycling 5, meaning that is 100% recyclable to be used in future production and thus lowering material waste.

MATERIAL

Shell - Fiber Side Chair without upholstery: The plastic of the shell is made using minimum 80% recycled plastic. The plastic is mixed with up to 25% FSC™-certified wood fibers. The shell of Fiber Armchair & Side Chair is made of plastic that is climate compensated.

Shell - All other variants: Shell in plastic composition with up to 25% wood fibers.

Base: Swivel base in powder coated or polished aluminum. Swivel base with castors in powder coated or polished aluminum. Black and Grey Swivel Bases come with black castors, White Swivel Base comes with white castors.

CLEANING AND CARE

Clean with a moist cloth. If necessary use a little dish soap on the cloth. For upholstery versions, please find cleaning instructions for your chosen textile at kvadrat.dk, nevetex.com or for leather at ca-mo.com. For leather upholstery versions: Clean the leather with a dry cloth regularly. Treat the leather at least four times a year using only special leather treatment products.

SPARE PARTS

Pre-mounted plastic glides included. Felt and plastic glides can be purchased separately.

MADE-TO-ORDER

Non-standard colored chairs are made-to-order. The chairs can be upholstered in all colors from Kvadrat’s Remix, Steelcut, Steelcut Trio, Canvas, Clara, Hallingdal, Divina, Divina MD, Divina Melange, Sabi, Re-Wool, Twill Weave, Planum* & Clay (1, 3, 6, 7, 9, 10, 12, 13, 14, 15 & 17) textile series, in all Woolly colors from Nevotex, Ocean* (3, 21, 32, 50, 52, 80 & 601) from Rohleder or in Leather from selected premium leather suppliers. *Please note that this textile is not available in the UK.



Declare.

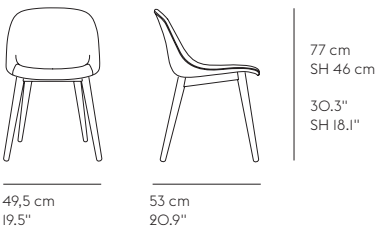


MUUTO



FIBER SIDE CHAIR – WOOD BASE

ISKOS BERLIN ON THE DESIGN “One of the most difficult and noble disciplines of design is to create simple, well-functioning and almost ordinary objects that nevertheless have a strong identity. We designed Fiber Side Chair to do just that through a clear sculptural language that refuses to compromise on comfort. It’s a chair stripped of all unnecessary layers. The iconic form marries soft, embracing curves with an innovative wood fiber composite, giving Fiber Side Chair a unique expression and tactile texture.”



Seat width 48 cm / 18.9"
Seat depth 45 cm / 17.7"

READY-TO-SHIP OPTIONS

SHELL/BASE



LEATHER UPHOLSTERY/BASE



DESIGNED BY / YEAR OF DESIGN

Iskos-Berlin / 2016

ABOUT THE DESIGNER

Iskos-Berlin is a Copenhagen-based design duo that has made international headlines within furniture, industrial and graphic design. The studio, formerly known as Komplot Design has collaborated with some of the world’s most prestigious manufacturers and their furniture, lighting and other design products are exhibited at numerous design museums around the world including MoMA and the Designmuseum Denmark.

CATEGORY

Chair

ENVIRONMENT

Indoor

COUNTRY OF PRODUCTION

Poland

PREASSEMBLED

Yes

DESCRIPTION

The Fiber Side Chair brings a new perspective to the iconic shell chair through its innovative composite of plastic and wood fibers. Non-upholstered variants of the Fiber Side Chair are made from a combination of recycled plastic (min. 80% is recycled) and FSC™-certified wood fibers. The wood fibers blend into the surface for a matte finish and add a soft, inviting touch. The Fiber Side Chair is designed with friendly, embracing curves that provide extensive comfort to its user while taking up little space in the room.

At the end of its life, this product can be disassembled, supporting circularity. All non-upholstered versions of this product are marked with recycling 5, meaning that is 100% recyclable to be used in future production and thus lowering material waste.

MATERIAL

Shell - Fiber Side Chair without upholstery: The plastic of the shell is made using minimum 80% recycled plastic. The plastic is mixed with up to 25% FSC™-certified wood fibers. The shell of Fiber Armchair & Side Chair is made of plastic that is climate compensated.

Shell - All other variants: Shell in plastic composition with up to 25% wood fibers.

Base: Wood base in FSC™-certified oak or ash with water based lacquer.

CLEANING AND CARE

Clean with a moist cloth. If necessary use a little dish soap on the cloth. For upholstery versions, please find cleaning instructions for your chosen textile at kvadrat.dk, nevotex.com or for leather at ca-mo.com. For leather upholstery versions: Clean the leather with a dry cloth regularly. Treat the leather at least four times a year using only special leather treatment products.

SPARE PARTS

Pre-mounted plastic glides included. Felt and plastic glides can be purchased separately.

MADE-TO-ORDER

Non-standard colored chairs are made-to-order. The chairs can be upholstered in all colors from Kvadrat’s Remix, Steelcut, Steelcut Trio, Canvas, Clara, Hallingdal, Divina, Divina MD, Divina Melange, Sabi, Re-Wool, Twill Weave, Planum* & Clay (1, 3, 6, 7, 9, 10, 12, 13, 14, 15 & 17) textile series, in all Wooly colors from Nevotex, Ocean* (3, 21, 32, 50, 52, 80 & 60I) from Rohleder or in Leather from selected premium leather suppliers. *Please note that this textile is not available in the UK.



Declare.



MUUTO



FIBER SIDE CHAIR – WOOD BASE

TEXTILE USE FOR CUSTOMIZED UPHOLSTERY

Textile upholstery: 1,4 m / 1.54 yds
Leather upholstery: 2,2 m² / 23.7ft²

TEST & CERTIFICATIONS

EN 16139:2013 - L2: Extreme use. Furniture - Strength, durability and safety - Requirements for non-domestic seating.

EN 1022:2005 - Domestic furniture - Seating - Determination of stability.

ANSI/BIFMA X5.1-2020
American National Standard For Office Furnishings - Office Seating.

ANSI/BIFMA X5.4-2012
American National Standard For Office Furnishings - Lounge and Public Seating.

Fiber Armchair & Side Chairs w.o. upholstery are FSC™ (FSC-CO28824) certified.

Fiber Armchair & Side Chairs without upholstery is LBC Red List Approved as part of Muuto's participation in Declare.

Fiber Armchair & Side Chairs without upholstery is Global GreenTag GreenRate Level C certified. The Global GreenTag Label only applies for contract market orders with a minimum 5-year warranty.

Fiber Side Chair Wood Base without upholstery and a large selection of versions upholstered with Kvadrat textiles* is tested to VOC CDPH 01350 and VOC Bifma X7I.

*Upholstered Muuto products that is tested to VOC CDPH 01350 and VOC Bifma X7I only have the certification when upholstered with the following Kvadrat textiles: Canvas, Clara, Coda, Divina, Divina MD, Divina mélange, Fiord, Hallingdal, Remix, Re-Wool, Rime, Steelcut, Steelcut Trio, Umami, Vidar, Twill weave, Still, Balder, Hero, Clay.



Declare.



MUUTO



FIBER SIDE CHAIR — SWIVEL BASE & SWIVEL BASE W. CASTORS

TEXTILE USE FOR CUSTOMIZED UPHOLSTERY

Textile upholstery: 1,4 m / 1.54 yds

Leather upholstery: 2,2 m² / 23.7 ft²

TEST & CERTIFICATIONS

EN 16139:2013 - L2: Extreme use

Furniture - Strength, durability and safety -
Requirements for non-domestic seating.

EN 1022:2005 - L2: Extreme use

Domestic furniture - Seating - Determination
of stability.

ANSI/BIFMA X5.1 Office Chairs

American National Standard For Office Fur-
nishings-General Purpose Office Chairs.

*Tested on swivel versions without autoreturn.

Fiber Armchair & Side Chairs w.o. upholstery
are FSC™ (FSC-CO28824) certified.

Fiber Armchair & Side Chairs without uphol-
stery is LBC Red List Approved as part of
Muuto's participation in Declare.

Fiber Armchair & Side Chairs without uphol-
stery is Global GreenTag GreenRate Level C
certified. The Global GreenTag Label only
applies for contract market orders with a
minimum 5-year warranty.

Fiber Side Chair Swivel Base & Swivel Base
w. Castors without upholstery and a large
selection of versions upholstered with Kvadrat
textiles* is tested to VOC CDPH 01350 and
VOC Bifma X7.1.

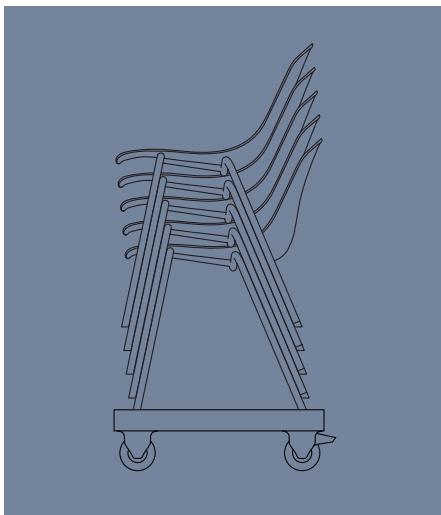
*Upholstered Muuto products that is tested to VOC
CDPH 01350 and VOC Bifma X7.1 only have the certi-
fication when upholstered with the following Kvadrat
textiles: Canvas, Clara, Coda, Divina, Divina MD, Divi-
na mélange, Fiord, Hallingdal, Remix, Re-Wool, Rime,
Steelcut, Steelcut Trio, Umami, Vidar, Twill weave, Still,
Balder, Hero, Clay.



Declare.

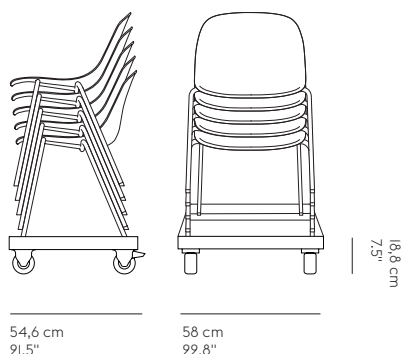


MUUTO



FIBER SIDE CHAIR – A-BASE TROLLEY

TROLLEY FOR MOVING AND STORING FIBER A-BASE CHAIRS



54.6 cm
21.5"

58 cm
22.8"

18.8 cm
7.5"

READY-TO-SHIP OPTIONS



Black

YEAR OF DESIGN

2016

CATEGORY

Trolley for moving and storing Fiber A-base chairs.

ENVIRONMENT

Indoor

COUNTRY OF PRODUCTION

Poland

PREASSEMBLED

Yes

DESCRIPTION

The frame is constructed of 6 mm flat steel which ensures a strong construction. The wheels from Tente ensures easy manoeuvring and can lock.

The trolley has a fixture which secures the position of the chairs on the trolley.

The trolley can withstand a weight of 400 kg / 881.8 lb. We recommend a maximum of 15 chairs.

MATERIAL

6 mm powder coated flat steel. High quality wheels from Tente.

WEIGHT

20 kg / 44.1 lb

MAX. NUMBER OF CHAIRS & WEIGHT

15 pcs. & 400 kg / 881.8 lb

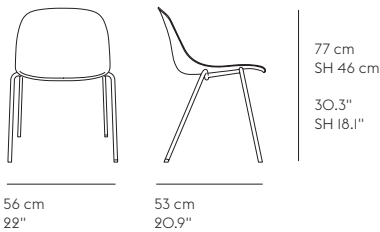
CLEANING AND CARE

Wipe clean with a damp cloth.



FIBER SIDE CHAIR — A-BASE

ISKOS BERLIN ON THE DESIGN “One of the most difficult and noble disciplines of design is to create simple, well-functioning and almost ordinary objects that nevertheless have a strong identity. We designed Fiber Side Chair to do just that through a clear sculptural language that refuses to compromise on comfort. It’s a chair stripped of all unnecessary layers. The iconic form marries soft, embracing curves with an innovative wood fiber composite, giving Fiber Side Chair a unique expression and tactile texture.”



Seat width 48 cm / 18.9"
Seat depth 45 cm / 17.7"

DESIGNED BY / YEAR OF DESIGN

Iskos-Berlin / 2016

ABOUT THE DESIGNER

Iskos-Berlin is a Copenhagen-based design duo that has made international headlines within furniture, industrial and graphic design. The studio, formerly known as Komplot Design has collaborated with some of the World’s most prestigious manufacturers and their furniture, lighting and other design products are exhibited at numerous design museums around the world including MoMA and the Designmuseum Denmark.

CATEGORY

Chair

ENVIRONMENT

Indoor

COUNTRY OF PRODUCTION

Poland

PREASSEMBLED

Yes

DESCRIPTION

The Fiber Side Chair brings a new perspective to the iconic shell chair through its innovative composite of plastic and wood fibers. Non-upholstered variants of the Fiber Side Chair are made from a combination of recycled plastic (min. 80% is recycled) and FSC™-certified wood fibers. The wood fibers blend into the surface for a matte finish and add a soft, inviting touch. The Fiber Side Chair is designed with friendly, embracing curves that provide extensive comfort to its user while taking up little space in the room.

At the end of its life, this product can be disassembled, supporting circularity. All non-upholstered versions of this product are marked with recycling 5, meaning that is 100% recyclable to be used in future production and thus lowering material waste.

MATERIAL

Shell - Fiber Side Chair without upholstery: The plastic of the shell is made using minimum 80% recycled plastic. The plastic is mixed with up to 25% FSC™-certified wood fibers. The shell of Fiber Armchair & Side Chair is made of plastic that is climate compensated.

Shell - All other variants: Shell in plastic composition with up to 25% wood fibers.

Base: A-base in chrome.

CLEANING AND CARE

Clean with a moist cloth. If necessary use a little dish soap on the cloth. For upholstery versions, please find cleaning instructions for your chosen textile at kvadrat.dk or nevotex.com

SPARE PARTS

Pre-mounted plastic glides included.

Felt and plastic glides can be purchased separately.

MADE-TO-ORDER

Non-standard colored chairs are made-to-order. The chairs can be upholstered in all colors from Kvadrat’s Remix, Steelcut, Steelcut Trio, Canvas, Clara, Hallingdal, Divina, Divina MD, Divina Melange, Sabi, Re-Wool, Twill Weave, Planum* & Clay (1, 3, 6, 7, 9, 10, 12, 13, 14, 15 & 17) textile series, in all Wooly colors from Nevotex, Ocean* (3, 21, 32, 50, 52, 80 & 601) from Rohleder or in Leather from selected premium leather suppliers. *Please note that this textile is not available in the UK.



MUUTO



FIBER SIDE CHAIR — A-BASE

TEXTILE USE FOR CUSTOMIZED UPHOLSTERY

Textile upholstery: 1,4 m / 1.54 yds

Leather upholstery: 2,2 m² / 23.7 ft²

TEST & CERTIFICATIONS

EN 16139:2013 - L2: Extreme use

Furniture - Strength, durability and safety -
Requirements for non-domestic seating.

EN 1022:2005 - Domestic furniture - Seating -
Determination of stability.

ANSI/BIFMA X5.4-2012

American National Standard For Office Fur-
nishings - Lounge and Public Seating.

Fiber Armchair & Side Chairs w.o. upholstery
are FSC™ (FSC-CO28824) certified.

Fiber Side Chair A-Base without upholstery and
a large selection of versions upholstered with
Kvadrat textiles* is tested to VOC CDPH 01350
and VOC Bifma X7I.

*Upholstered Muuto products that is tested to VOC
CDPH 01350 and VOC Bifma X7I only have the certi-
fication when upholstered with the following Kvadrat
textiles: Canvas, Clara, Coda, Divina, Divina MD, Divi-
na mélange, Fiord, Hallingdal, Remix, Re-Wool, Rime,
Steelcut, Steelcut Trio, Umami, Vidar, Twill weave, Still,
Balder, Hero, Clay.



MUUTO



FIBER SIDE CHAIR — SLED BASE

ISKOS BERLIN ON THE DESIGN “One of the most difficult and noble disciplines of design is to create simple, well-functioning and almost ordinary objects that nevertheless have a strong identity. We designed Fiber Side Chair to do just that through a clear sculptural language that refuses to compromise on comfort. It’s a chair stripped of all unnecessary layers. The iconic form marries soft, embracing curves with an innovative wood fiber composite, giving Fiber Side Chair a unique expression and tactile texture.”



47,5 cm
18.7"

Seat width 48 cm / 18.9"
Seat depth 45 cm / 17.7"



51,5 cm
20.3"

77 cm
SH 46 cm

30.3"
SH 18.1"

DESIGNED BY / YEAR OF DESIGN

Iskos-Berlin / 2016

ABOUT THE DESIGNER

Iskos-Berlin is a Copenhagen-based design duo that has made international headlines within furniture, industrial and graphic design. The studio, formerly known as Komplot Design has collaborated with some of the World’s most prestigious manufacturers and their furniture, lighting and other design products are exhibited at numerous design museums around the world including MoMA and the Designmuseum Denmark.

CATEGORY

Chair

ENVIRONMENT

Indoor

COUNTRY OF PRODUCTION

Poland

PREASSEMBLED

Yes

DESCRIPTION

The Fiber Side Chair brings a new perspective to the iconic shell chair through its innovative composite of plastic and wood fibers. Non-upholstered variants of the Fiber Side Chair are made from a combination of recycled plastic (min. 80% is recycled) and FSC™-certified wood fibers. The wood fibers blend into the surface for a matte finish and add a soft, inviting touch. The Fiber Side Chair is designed with friendly, embracing curves that provide extensive comfort to its user while taking up little space in the room.

At the end of its life, this product can be disassembled, supporting circularity. All non-upholstered versions of this product are marked with recycling 5, meaning that is 100% recyclable to be used in future production and thus lowering material waste.

MATERIAL

Shell - Fiber Side Chair without upholstery: The plastic of the shell is made using minimum 80% recycled plastic. The plastic is mixed with up to 25% FSC™-certified wood fibers. The shell of Fiber Armchair & Side Chair is made of plastic that is climate compensated.

Shell - All other variants: Shell in plastic composition with up to 25% wood fibers.

Base: Sled base in lacquered steel.

CLEANING AND CARE

Clean with a moist cloth. If necessary use a little dish soap on the cloth. For upholstery versions, please find cleaning instructions for your chosen textile at kvadrat.dk, nevotex.com or for leather at ca-mo.com. For leather upholstery versions: Clean the leather with a dry cloth regularly. Treat the leather at least four times a year using only special leather treatment products.

SPARE PARTS

Pre-mounted plastic glides included. Felt and plastic glides can be purchased separately.

MADE-TO-ORDER

Non-standard colored chairs are made-to-order. The chairs can be upholstered in all colors from Kvadrat’s Remix, Steelcut, Steelcut Trio, Canvas, Clara, Hallingdal, Divina, Divina MD, Divina Melange, Sabi, Re-Wool, Twill Weave, Planum* & Clay (1, 3, 6, 7, 9, 10, 12, 13, 14, 15 & 17) textile series, in all Wooly colors from Nevotex, Ocean* (3, 21, 32, 50, 52, 80 & 601) from Rohleder or in Leather from selected premium leather suppliers. *Please note that this textile is not available in the UK.



Declare.



MUUTO



FIBER SIDE CHAIR – SLED BASE

TEXTILE USE FOR CUSTOMIZED UPHOLSTERY

Textile upholstery: 1,4 m / 1.54 yds

Leather upholstery: 2,2 m² / 23.7 ft²

TEST & CERTIFICATIONS

EN 16139:2013 - L2: Extreme use. Furniture - Strength, durability and safety - Requirements for non-domestic seating.

EN 1022:2005 - Domestic furniture - Seating - Determination of stability.

ANSI/BIFMA X5.4-2012. American National Standard For Office Furnishings - Lounge and Public Seating.

Fiber Armchair & Side Chairs w.o. upholstery are FSC™ (FSC-CO28824) certified.

Fiber Armchair & Side Chairs without upholstery is LBC Red List Approved as part of Muuto's participation in Declare.

Fiber Armchair & Side Chairs without upholstery is Global GreenTag GreenRate Level C certified. The Global GreenTag Label only applies for contract market orders with a minimum 5-year warranty.

Fiber Side Chair Sled Base without upholstery and a large selection of versions upholstered with Kvadrat textiles* is tested to VOC CDPH 01350 and VOC Bifma X7I.

*Upholstered Muuto products that is tested to VOC CDPH 01350 and VOC Bifma X7I only have the certification when upholstered with the following Kvadrat textiles: Canvas, Clara, Coda, Divina, Divina MD, Divina mélange, Fiord, Hallingdal, Remix, Re-Wool, Rime, Steelcut, Steelcut Trio, Umami, Vidar, Twill weave, Still, Balder, Hero, Clay.



Declare.



MUUTO

Fiber Side Chair

Swivel Base w. Castors

“One of the most difficult and noble disciplines of design is to create simple, well-functioning and almost ordinary objects that nevertheless have a strong identity. We designed Fiber Side Chair to do just that through a clear sculptural language that refuses to compromise on comfort. It’s a chair stripped of all unnecessary layers. The iconic form marries soft, embracing curves with an innovative wood fiber composite, giving Fiber Side Chair a unique expression and tactile texture.”



— Iskos-Berlin

Designed by	Iskos-Berlin
About the Designer	Iskos-Berlin is a Copenhagen-based design duo that has made international headlines within furniture, industrial and graphic design. The studio, formerly known as Komplot Design has collaborated with some of the world’s most prestigious manufacturers and their furniture, lighting and other design products are exhibited at numerous design museums around the world including MoMA and the Designmuseum Denmark.
Environment	Indoor
Country of Production	Poland
Preassembled	Yes
Description	The Fiber Chair brings a new perspective to the iconic shell chair through its innovative composite of wood fibers and 100% recycled plastic. The wood fibers blend into the surface for a matte finish, adding a soft, inviting touch. The Fiber Chair is designed with friendly, embracing curves that provide extensive comfort to its user while taking up little space in the room.
Material	<p>Shell - Without Upholstery: 100% recycled plastic reinforced with strength-improving additives and mixed with up to 25% FSC™-certified (FSC-C028824) wood fibers. Due to the partly natural material of the shell, slight color variations can occur.</p> <p>Shell – Upholstered Variants: 100% recycled plastic reinforced with strength-improving additives and mixed with up to 25% wood fibers. Shell can be upholstered with textile, imitation leather, or leather. Leather from selected premium leather suppliers.</p> <p>Base: Swivel base in powder coated or polished aluminum. Castors.</p> <p>Please note that the Fiber Chair with recycled plastic will be available in North America during 2024. Therefore, the North American versions are not EU Ecolabel Certified.</p>

Fiber Side Chair

Swivel Base w. Castors

Cleaning & Care

Textile:

For textile upholstered versions: In case of stains, we generally recommend removing non-greasy stains by carefully dabbing with a lint-free cloth or sponge wrung out in clean warm water. If necessary, clean by dabbing with soapy water made with a little dish soap. Finally, dab the surface with clean water. We highly recommend that you go to kvadrat.dk for further cleaning and maintenance instructions for your chosen textile, as the cleaning methods may vary from one textile to another.

Imitation Leather:

Clean with lukewarm PH-neutral soapy water and a soft cloth or soft brush. Do not use solvents or chemical cleaners, but cleaning can be done with alcohol-based cleaners. Finally, wipe with a damp cloth afterwards.

Leather:

As a natural material, leather requires looking after. If you care for the leather in the right way, it will become even more beautiful over time.

Refine Leather, Easy Leather and Endure Leather: Clean leather with a dry cloth regularly. Treat the leather at least four times a year using only special leather treatment products. Visit ca-mo.com for further information on cleaning leather.

Allure and Grace Leather: Only vacuum clean with a soft brush. Never use soap or water otherwise the velvety look and feel will disappear. Do not apply leather grease or soak the leather. Avoid any chemical products, such as saddle soap, leather cleaners or household products.

Base:

Clean with a moist cloth. If necessary, use a little dish soap on the cloth.

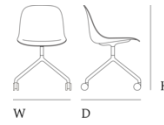
Spare Parts

Spare parts are available throughout the warranty period from the date of purchase of the product. For any inquiries, please contact customer@muuto.com

Fiber Side Chair Swivel Base w. Castors

Dimensions

Height:	77 cm / 30.3"
Width:	47,5 cm / 18.7"
Depth:	53 cm / 20.9"
Seat Height:	46 cm / 18.1"



Made-to-Order

This product can be upholstered in the following textiles: Acca, Allure Leather, Balder, Beck, Canvas, Clara, Clay, Divina, Divina MD, Divina Melange, Easy Leather, Ecriture, Endure Leather, Fiord, Grace Leather, Grain, Hallingdal, Hearth, Hero, Illusion Leather, Manner, Ocean, Planum, Refine Leather, Remix, Re-wool, Sabi, Steelcut, Steelcut Quartet, Steelcut Trio, Twill Weave, Vidar, Wooly

Made-to-order textiles with option of Anthracite Black (RAL 7021), Dusty Green, White, Polished Aluminum or Grey base. Shell available in Grey, Dusty Green, Natural White, Black or Ochre.

Upholstery Consumption for Customers' Own Material

Textile Upholstery: 1,4 m / 1.54 yds
Leather Upholstery: 2,2 m² / 23.7 ft²

Tests, Labels & Certifications

Eco-Labels & Certificates	<p>DECLARE EU ECOLABEL Forest Stewardship Council™ (FSC-C028824) GreenTag GreenRate Level C VOC — Bifma X 7.1 VOC — CDPH 01350</p>
Safety & Regulations	<p>EAC Certificate Technical Bulletin (TB)</p>
Strength, Durability & Stability	<p>BIFMA X5.1 — Office Seating EN 1022 Furniture EN 16139-L2 Furniture</p>

The EU Ecolabel Certification applies for versions without upholstery. Please note that the North American versions of the Fiber Stool, Bar and Counter Stool as well as the Lounge Chair without upholstery are not EU Ecolabel Certified. Fiber without upholstery and versions upholstered with a large selection of Kvadrat textiles and leather types are tested to VOC CDPH 01350 and VOC Bifma X7.1.: Balder, Canvas, Clara, Clay, Divina, Divina MD, Divina Mélange, Fiord, Hallingdal, Hero, Remix, Re-wool, Steelcut, Steelcut Trio, Still, Vidar, Twill Weave, Refine Leather, Grace Leather and Easy leather. Fiber without upholstery and a large selection of versions upholstered with Kvadrat textiles are Global GreenTag Green-Rate Level C certified: Balder, Canvas, Clara, Divina, Divina MD, Divina Mélange, Fiord, Hallingdal, Hero, Ocean, Remix, Steelcut, Steelcut trio and Vidar. The Global GreenTag Label only applies for contract market orders with a minimum 5-year warranty. The Declare Living Building Challenge Compliant certification only applies for versions without upholstery. The plastic of the shell is mixed with up to 25% FSC™-certified (FSC-C028824) wood fibers.

Fiber Side Chair Swivel Base w. Castors

Explore Assets

Endless Options

**DOWNLOAD SITE
CONFIGURATOR**