



ECHO**JAZZ** AG
RINGSTRASSE 25
6010 KRIENS
SWITZERLAND
[WWW.ECHO**JAZZ**.COM](http://WWW.ECHOJAZZ.COM)
+41 41 340 18 80
[INFO@ECHO**JAZZ**.COM](mailto:INFO@ECHOJAZZ.COM)

ECHO**FIELD**[®] 12MM DATASHEET

TABLE OF CONTENTS



ECHOFIELD® 12MM	1
TENDER TEXT	3
DATASHEET ECHOBBOARD® 12MM	4
COLOURS ECHOBBOARD® 12MM	5
DIMENSIONS & PARTS	6
ECHOFIELD® 12MM SQUARE M.....	6
ECHOFIELD® 12MM RECTANGLE M	7
ECHOFIELD® 12MM HEXAGON	8
ECHOFIELD® 12MM ROUND.....	9
INSTALLATION	10
L-PROFILE WALL MOUNTING SYSTEM	10
CLEANING & CARE	11

TENDER TEXT



PRODUCT NAME

EchoField® 12mm

DESCRIPTION

High-performance acoustic wall panel with textile surface made of 100% PET.

EchoField® 12mm is made of robust high-tech felt with homogeneous texture and colour throughout. This sound absorber with a recycled PET content of over 50% is ideal for functional and aesthetic acoustic solutions and a direct answer to questions about ecological and economic sustainability that arise in contemporary interior design, interior decoration and renovation. The high stiffness enables a crossbar made out of the same material. Adjustments can be made very easily by mechanical processing.

PRODUCT PROPERTIES

Thickness: 12mm

Weight: 2400g/m² (± 10%)

Corner radius: 200mm

ACOUSTIC PERFORMANCE

aw: 0.30 - 0.90

NRC: 0.45 - 0.85

INSTALLATION

- Suitable for use in rooms as well as roofed outdoor areas
- Very easy to trim with a knife
- Easily height-adjustable and screwable

MATERIAL PROPERTIES

- Homogeneous edges throughout
- Extremely robust and shockproof
- Very high colour fastness of the all-round homogeneous textile surface available over 10 colours
- Flame retardant. B-s1,d0 certified according to EN 13501
- Extremely low volatile organic compounds below < 0.5mg/m²/h, certified according to ASTM D5116
- Formaldehyde emission below < 0.1mg/m²/h, certified according to ASTM D5116
- Dimensionally stable up to 50°C and 95%rH
- Melting point: 250 °C
- Decomposition Temp: > 250 °C
- Alkalinity: pH: 7.8 (pH 7 is neutral)

CLEANING & CARE

Can be cleaned dry and damp with chlorine or hydrogen peroxide.

ENVIRONMENT

- 100% PET with a content of over 50% from recycled PET bottles
- 100% recyclable
- eco-1 rating within eco-bau & Minergie-Eco requirements
- Cradle to Cradle Bronze certified

DISPOSAL

The product is recyclable as part of ECHOJAZZ's stewardship programme.

DATASHEET ECHOBOARD® 12MM



EchoBoard® 12mm is a high quality sound absorber with an aw of up to 0.90 and a NRC of up to 0.85, which can be used for acoustic ceilings, walls, office desks or room dividers.

NAME	EchoBoard® 12mm																												
DIMENSIONS	1200mm (± 1mm) x 2800mm (± 1mm)																												
COMPOSITION	100% PET (> 50% recycled PET)																												
PET-BOTTLES* PER PANEL	168 PET-Bottles *The number of PET bottles refers to 500ml PET bottles with a bottle weight of 24g.																												
WEIGHT	2400g/m ² (± 10%)																												
MATERIAL THICKNESS	12mm																												
LIGHT FASTNESS ISO 105-B02-1994	> 7																												
FIRE PROTECTION EN 13501	B-s1, d0																												
VOC EMISSIONS ASTM D5116	< 0.5mg/m ² /h																												
FORMALDEHYDE EMISSIONS ASTM D5116	< 0.1mg/m ² /h																												
ENVIRONMENTAL CERTIFICATES	eco1 Minergie-Eco Cradle to Cradle Certified® Bronze M1 emission-free materials																												
ABSORPTION COEFFICIENT DIN EN ISO 11654 ASTM C423	aw 0.30 (direct mounting) aw 0.60 (50mm wall/ceiling distance) aw 0.90 (200mm wall/ceiling distance) NRC = 0.45 (direct mounting) NRC = 0.70 (50mm wall/ceiling distance) NRC = 0.85 (200mm wall/ceiling distance)																												
COLOURS	> 10																												
ABSORPTION GRAPH	<p>The graph plots the Sound Absorption Coefficient (Y-axis, 0.00 to 1.20) against Frequency in Hertz (X-axis, 125 to 4000). Three data series are shown: direct mounting (green line), 50mm wall/ceiling distance (yellow line), and 200mm wall/ceiling distance (blue line). All series show an overall upward trend with frequency, with the 200mm distance configuration consistently providing the highest absorption across most frequencies.</p> <table border="1"> <caption>Approximate data points from the Absorption Graph</caption> <thead> <tr> <th>Frequency (Hz)</th> <th>Direct Mount (aw)</th> <th>50mm Distance (aw)</th> <th>200mm Distance (aw)</th> </tr> </thead> <tbody> <tr> <td>125</td> <td>0.02</td> <td>0.10</td> <td>0.52</td> </tr> <tr> <td>250</td> <td>0.05</td> <td>0.25</td> <td>0.80</td> </tr> <tr> <td>500</td> <td>0.15</td> <td>0.60</td> <td>0.95</td> </tr> <tr> <td>1000</td> <td>0.45</td> <td>0.95</td> <td>0.80</td> </tr> <tr> <td>2000</td> <td>0.80</td> <td>1.00</td> <td>0.95</td> </tr> <tr> <td>4000</td> <td>1.05</td> <td>0.95</td> <td>0.95</td> </tr> </tbody> </table>	Frequency (Hz)	Direct Mount (aw)	50mm Distance (aw)	200mm Distance (aw)	125	0.02	0.10	0.52	250	0.05	0.25	0.80	500	0.15	0.60	0.95	1000	0.45	0.95	0.80	2000	0.80	1.00	0.95	4000	1.05	0.95	0.95
Frequency (Hz)	Direct Mount (aw)	50mm Distance (aw)	200mm Distance (aw)																										
125	0.02	0.10	0.52																										
250	0.05	0.25	0.80																										
500	0.15	0.60	0.95																										
1000	0.45	0.95	0.80																										
2000	0.80	1.00	0.95																										
4000	1.05	0.95	0.95																										

COLOURS ECHOBOARD® 12MM



ECHOBOARD® 12MM



DIMENSIONS & PARTS



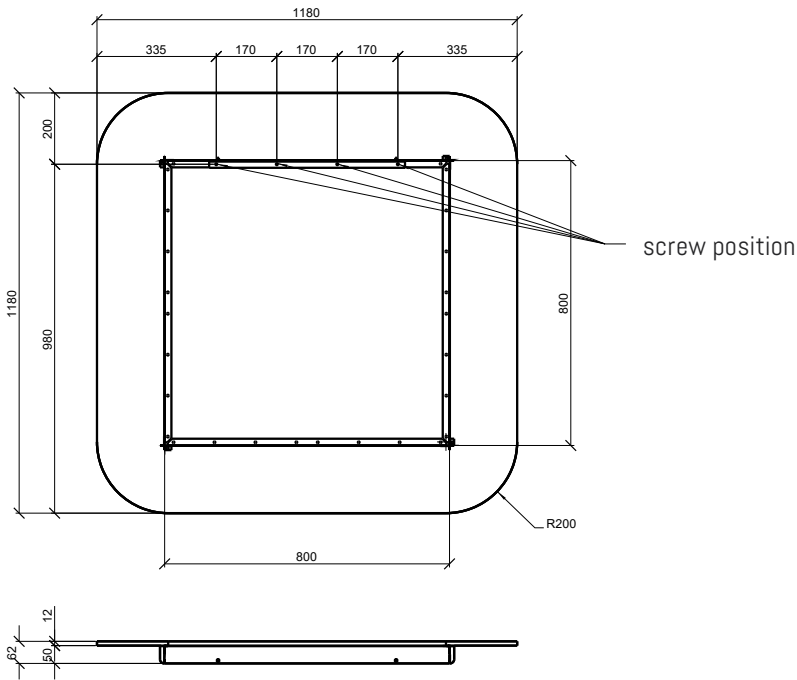
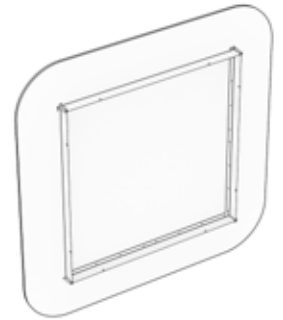
ECHOFIELD® 12MM SQUARE M

1262

Acoustic absorber: 1180 x 1180 x 12 mm

Frame: 800 x 800 x 50 mm

please note, this product comes always in a set of two pieces



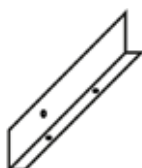
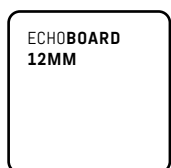
PARTS

1 x EchoBoard® 12mm
1180 x 1180 x 12 mm

4 x L-profile
800 x 50 x 20 x 1.2mm

1 x wall mount
550 x 20 x 20 x 2mm

32 x screw (for the L-profiles)
Panhead 3.9 x 11mm PH2



DIMENSIONS & PARTS

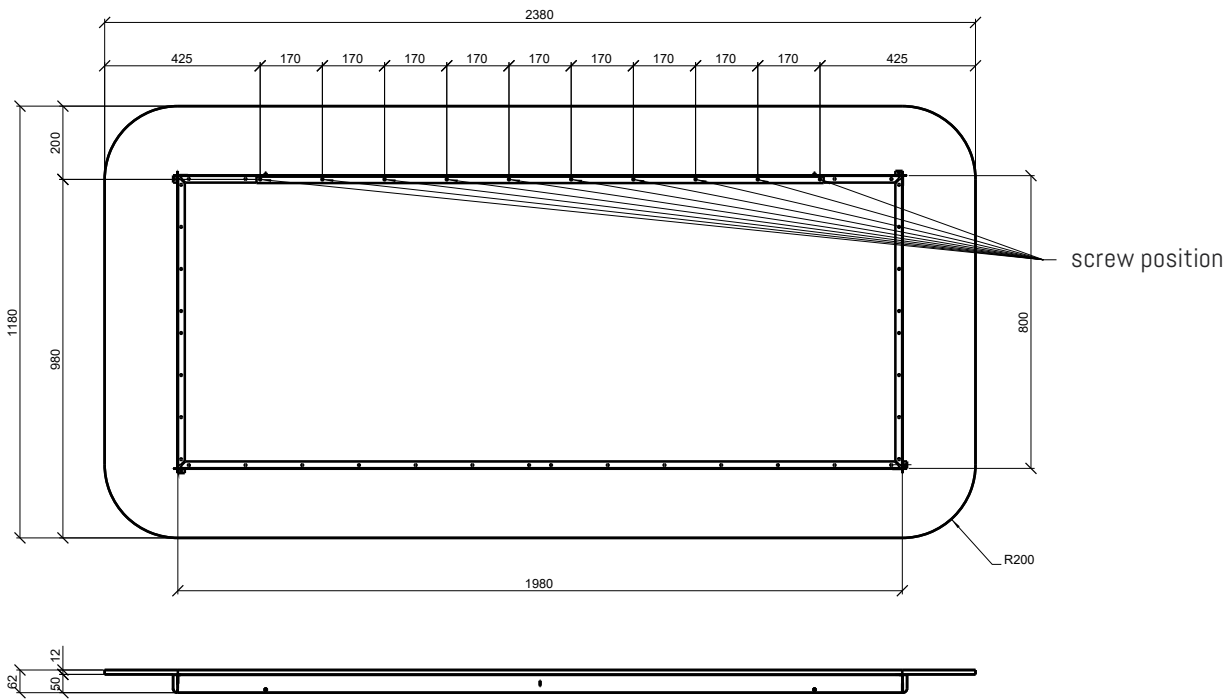
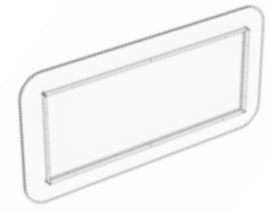


ECHOFIELD® 12MM RECTANGLE M

1260

Acoustic absorber: 2380 x 1180 x 12 mm

Frame: 800 x 1980 x 50 mm



PARTS

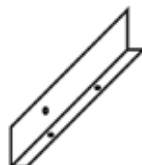
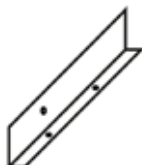
1 x EchoBoard® 12mm
2380 x 1180 x 12mm

2 x L-profile
1980 x 50 x 20 x 1.2mm

2 x L-profile
800 x 50 x 20 x 1.2mm

1 x wall mount
1550 x 20 x 20 x 2mm

44 x screw (for the L-profiles)
Panhead 3.9 x 11mm PH2



DIMENSIONS & PARTS



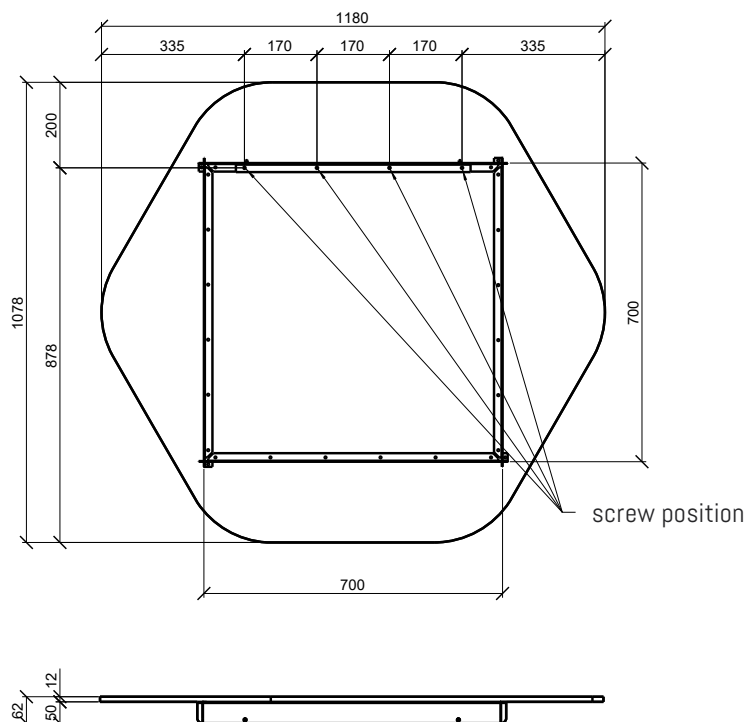
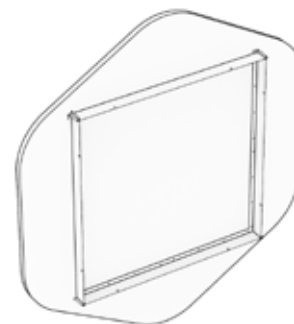
ECHOFIELD® 12MM HEXAGON

1258

Acoustic absorber: 1180 x 1078 x 12 mm

Frame: 700 x 700 x 50 mm

please note, this product comes always in a set of two pieces



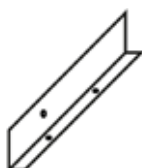
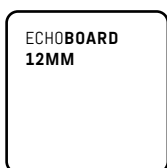
PARTS

1 x EchoBoard® 12mm
1180 x 1078 x 12 mm

4 x L-profile
700 x 50 x 20 x 1.2mm

1 x wall mount
550 x 20 x 20 x 2mm

24 x screw (for the L-profiles)
Panhead 3.9 x 11mm PH2



DIMENSIONS & PARTS



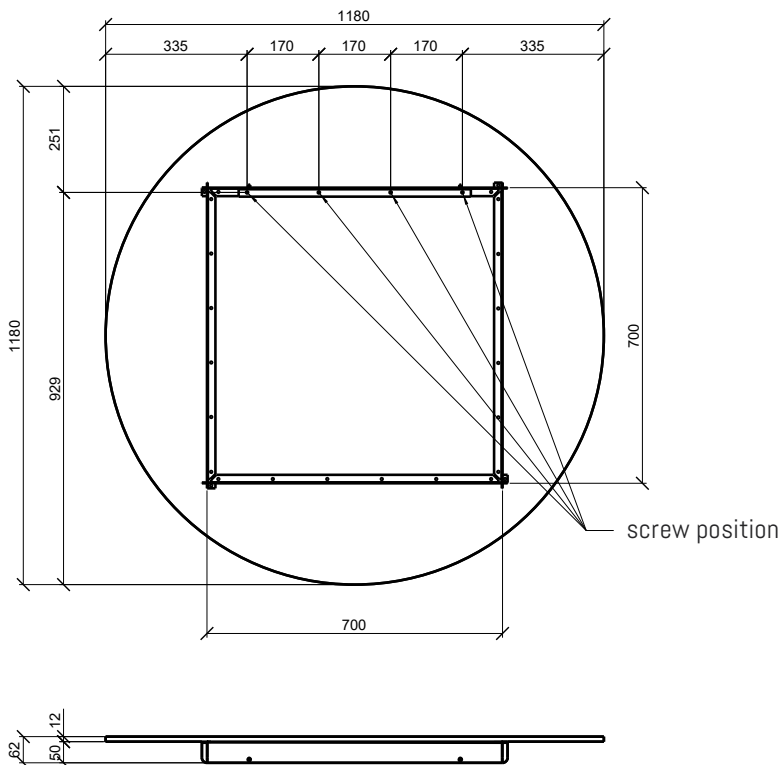
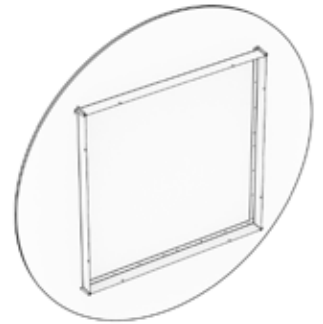
ECHOFIELD® 12MM ROUND

1261

Acoustic absorber: Ø1180 x 12 mm

Frame: 700 x 700 x 50 mm

please note, this product comes always in a set of two pieces



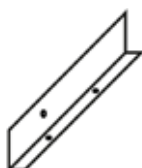
PARTS

1 x EchoBoard® 12mm
Ø 1180 x 12 mm

4 x L-profile
700 x 50 x 20 x 1.2mm

1 x wall mount
550 x 20 x 20 x 2mm

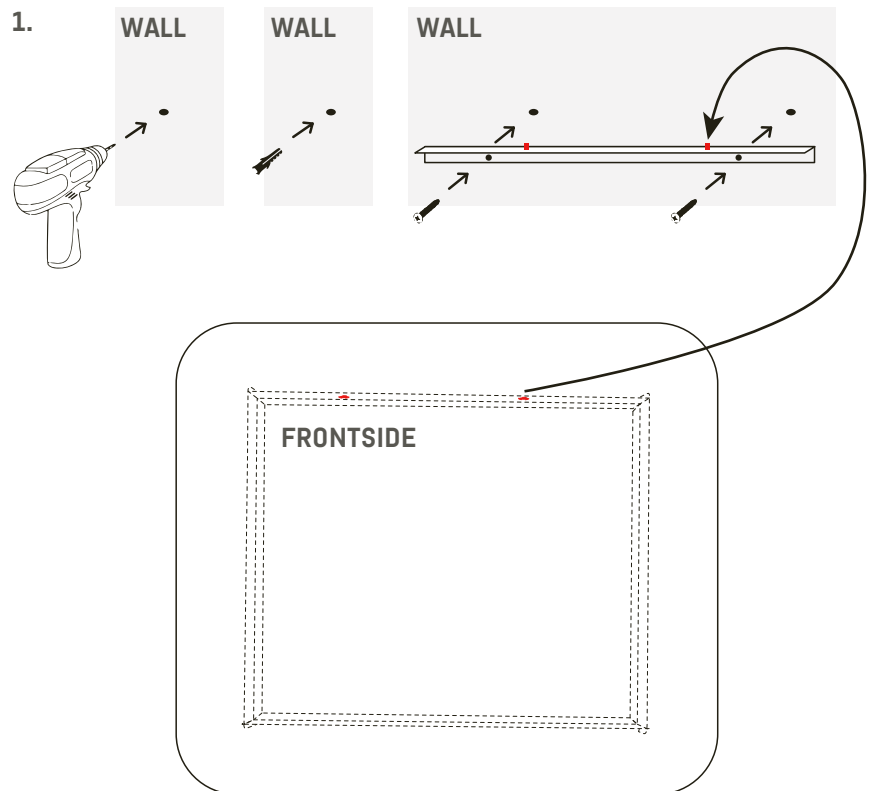
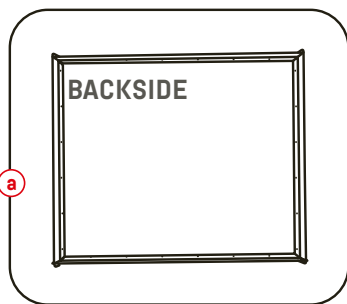
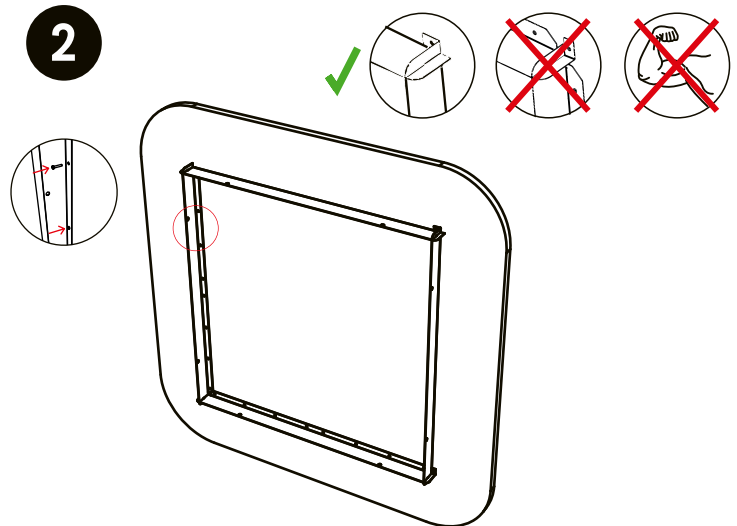
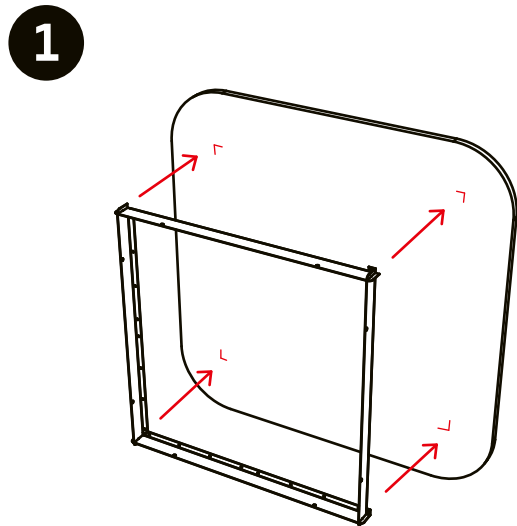
24 x screw (for the L-profiles)
Panhead 3.9 x 11mm PH2



INSTALLATION



L-PROFILE WALL MOUNTING SYSTEM



CLEANING & CARE

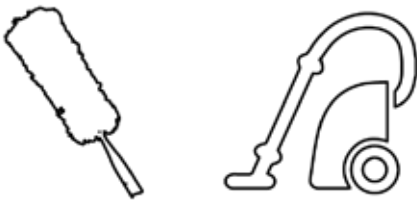
SURFACE DISINFECTION

Spray disinfectants can be used for rapid surface disinfection.



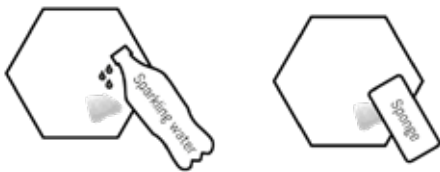
DUSTER/VACUUM CLEANER

For dusting use duster or vacuum cleaner.



SPARKLING WATER

For slight contamination apply sparkling water to polluted area. Wipe carefully with a sponge.



UPHOLSTERY CLEANER

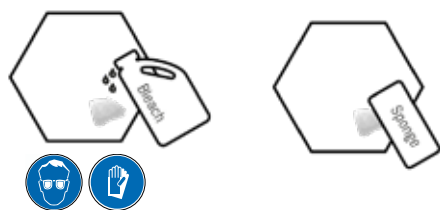
For medium contamination apply upholstery cleaner to polluted area. Wipe carefully with a sponge.



BLEACH

For heavy contamination apply bleach as chlorine or hydrogen peroxide on polluted area. Wipe carefully with a sponge and sparkling water.

Use of protection gloves and glasses is mandatory!



Please make first a cleaning attempt on an inconspicuous spot. Follow the instructions of the cleaning agents.